



INDUSTRIAL CORRO-DUTY 12

Ambient (Unheated) Air Curtain

Data Sheet

For Mounting Heights To 12' (environmental separation) and 10' (insect control)

STANDARD CONSTRUCTION

- ½ hp single speed corro-duty totally enclosed motor(s)
- Stainless steel cabinet with stainless steel inlet screen & access panels
- Stainless steel blower wheels & housings
- Front air intake
- High efficiency Pro-V Nozzle

5 Year
Limited
Warranty



| MODEL | Nozzle Width (in) | Max Vel. at Nozzle (fpm) | Avg. Outlet Vel. (fpm) | Air Volume (cfm) | Outlet Vel. Uniformity | Power Rating (kW) | Motor(s) @ hp | Net Wt. (lbs) |
|--------------|-------------------|--------------------------|------------------------|------------------|------------------------|-------------------|---------------|---------------|
| CD12-C-1036A | 36.00 | 5,166 | 1,728 | 1,512 | 87% | 0.51 | 1 @ 1/2 | 100 |
| CD12-C-1042A | 42.00 | 5,550 | 1,551 | 1,583 | 89% | 0.52 | 1 @ 1/2 | 106 |
| CD12-C-1048A | 48.00 | 5,292 | 1,366 | 1,594 | 78% | 0.53 | 1 @ 1/2 | 111 |
| CD12-C-1060A | 66.00 | 5,079 | 1,019 | 1,634 | 74% | 0.54 | 1 @ 1/2 | 122 |
| CD12-C-2060A | 66.00 | 4,781 | 2,010 | 2,931 | 85% | 0.99 | 2 @ 1/2 | 169 |
| CD12-C-2072A | 72.00 | 5,166 | 1,728 | 3,024 | 87% | 1.02 | 2 @ 1/2 | 178 |
| CD12-C-2078A | 78.00 | 5,166 | 1,633 | 3,095 | 87% | 1.03 | 2 @ 1/2 | 184 |
| CD12-C-2084A | 84.00 | 5,550 | 1,551 | 3,166 | 89% | 1.04 | 2 @ 1/2 | 189 |
| CD12-C-2096A | 99.00 | 5,292 | 1,366 | 3,188 | 78% | 1.06 | 2 @ 1/2 | 199 |
| CD12-C-3096A | 99.00 | 4,781 | 1,846 | 4,443 | 85% | 1.50 | 3 @ 1/2 | 240 |
| CD12-C-2108A | 108.00 | 5,079 | 1,230 | 3,228 | 74% | 1.07 | 2 @ 1/2 | 242 |
| CD12-C-3108A | 108.00 | 5,166 | 1,728 | 4,536 | 87% | 1.53 | 3 @ 1/2 | 283 |
| CD12-C-2120A | 117.00 | 5,079 | 1,149 | 3,268 | 74% | 1.08 | 2 @ 1/2 | 249 |
| CD12-C-3120A | 117.00 | 5,166 | 1,604 | 4,678 | 87% | 1.55 | 3 @ 1/2 | 290 |
| CD12-C-3132A | 132.00 | 5,292 | 1,484 | 4,760 | 78% | 1.57 | 3 @ 1/2 | 311 |
| CD12-C-3144A | 144.00 | 5,292 | 1,366 | 4,782 | 78% | 1.59 | 3 @ 1/2 | 325 |
| CD12-C-4144A | 144.00 | 5,166 | 1,728 | 6,048 | 87% | 2.04 | 4 @ 1/2 | 366 |
| CD12-C-4156A | 156.00 | 5,166 | 1,633 | 6,190 | 87% | 2.06 | 4 @ 1/2 | 382 |
| CD12-C-4168A | 168.00 | 5,550 | 1,551 | 6,332 | 89% | 2.08 | 4 @ 1/2 | 394 |
| CD12-C-4180A | 180.00 | 5,292 | 1,452 | 6,354 | 78% | 2.10 | 4 @ 1/2 | 407 |
| CD12-C-5180A | 180.00 | 5,166 | 1,728 | 7,560 | 87% | 2.55 | 5 @ 1/2 | 448 |
| CD12-C-4192A | 192.00 | 5,292 | 1,366 | 6,376 | 78% | 2.12 | 4 @ 1/2 | 419 |
| CD12-C-5192A | 192.00 | 5,292 | 1,635 | 7,631 | 78% | 2.56 | 5 @ 1/2 | 460 |

NOTES:

1. Operation at 50 Hz will generate approximately a 17% reduction in air performance.

2. Consult factory for vertically mounted units

Berner does not recommend CD12-C-1060A, CD12-C-2108A and CD12-C-2120A, exist only as an equivalent to competitors' models.

See sheet EP-400-CD for amp draws/total load requirements.

MODEL NUMBER CONFIGURATION

CD12-C-1 036 A A-F-SS

| Series | # of Motors | Opening Width | Heat | Voltage | Intake | Cabinet Finish |
|--------|---------------|---------------|-----------|---|--------|--------------------|
| CD12-C | 1, 2, 3, 4, 5 | 036" - 192" | A=Ambient | *A=120/1/60 B=208/1/60 J=240/1/60 V=220/1/50 X=208/3/60 Y=240/3/60 Z=480/3/60 Q=600/3/60 O=380/3/50 | T=Top | SS=Stainless Steel |

*Suitable for 50hz

Berner reserves the right to alter specifications without prior notice.

| VELOCITY PROFILE: Model CD12-C-1036A | | | |
|--------------------------------------|------|------|------|
| Distance from Nozzle (ft) | 3 | 6.5 | 10 |
| Core Velocity (fpm) | 2633 | 1867 | 1578 |

www.berner.com Berner International 800.245.4455
111 Progress Ave. / New Castle / PA / 16101 / USA

DS-400-CD
February, 2021



INDUSTRIAL CORRO-DUTY 12

Ambient (Unheated) Air Curtain
Electrical Performance Sheet

| MODEL | # CKTS | 120/1/60 (voltage code A) MOTOR AMP DRAW = 6.5 each | | 208/1/60 (voltage code B) MOTOR AMP DRAW = 3.5 each | | 240/1/60 (voltage code J) or 220/1/50 (voltage code V) MOTOR AMP DRAW = 3.5 each | | 208/3/60 (voltage code X) MOTOR AMP DRAW = 3.5 each | | | | |
|--|--------|--|----------------------------|--|------------------|--|--------|--|----------------------------|--------|------------------|----------------------------|
| | | AMPS PER CIRCUIT | BREAKER RATING PER CIRCUIT | # CKTS | AMPS PER CIRCUIT | BREAKER RATING PER CIRCUIT | # CKTS | AMPS PER CIRCUIT | BREAKER RATING PER CIRCUIT | # CKTS | AMPS PER CIRCUIT | BREAKER RATING PER CIRCUIT |
| CD12-C-1036A CD12-C-1042A CD12-C-1048A CD12-C-1060A | 1 | 6.5 | 15 | 1 | 3.5 | 15 | 1 | 3.5 | 15 | 1 | 3.5 | 15 |
| CD12-C-2060A CD12-C-2072A CD12-C-2078A CD12-C-2084A CD12-C-2096A CD12-C-2108A CD12-C-2120A | 1 | 13.0 | 20 | 1 | 7.0 | 15 | 1 | 7.0 | 15 | 1 | 7.0 | 15 |
| CD12-C-3096A CD12-C-3108A CD12-C-3120A CD12-C-3132A CD12-C-3144A | 1 | 19.5 | 30 | 1 | 10.5 | 15 | 1 | 10.5 | 15 | 1 | 10.5 | 15 |
| CD12-C-4144A CD12-C-4156A CD12-C-4168A CD12-C-4180A CD12-C-4192A | 1 | 26.0 | 35 | 1 | 14.0 | 20 | 1 | 14.0 | 20 | 1 | 14.0 | 20 |
| CD12-C-5180A CD12-C-5192A | 1 | 32.5 | 45 | 1 | 17.5 | 25 | 1 | 17.5 | 25 | 1 | 17.5 | 25 |

Berner reserves the right to alter specifications without prior notice.



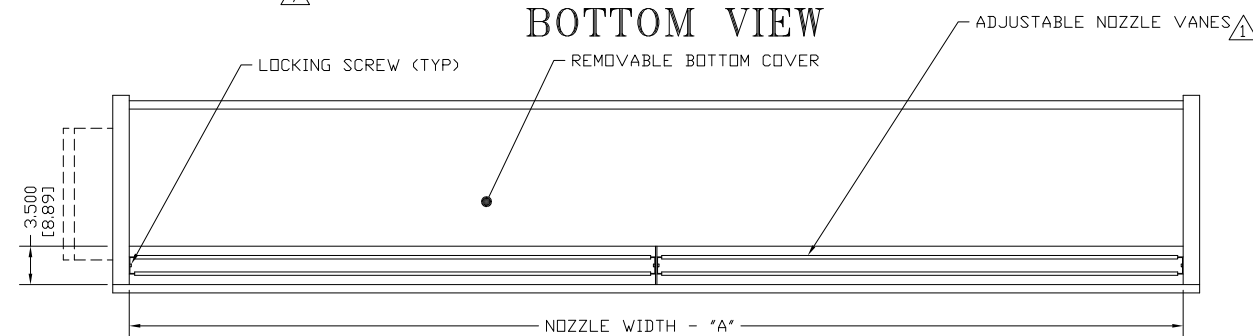
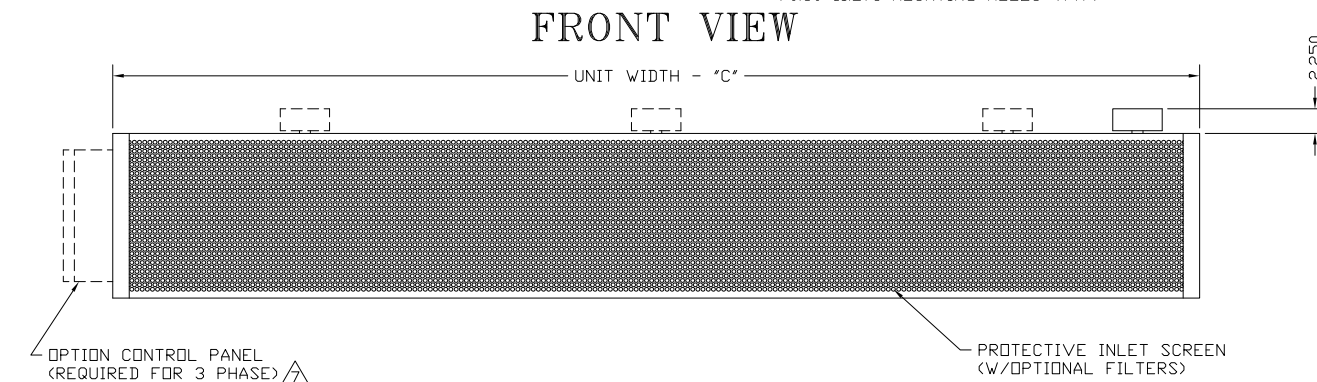
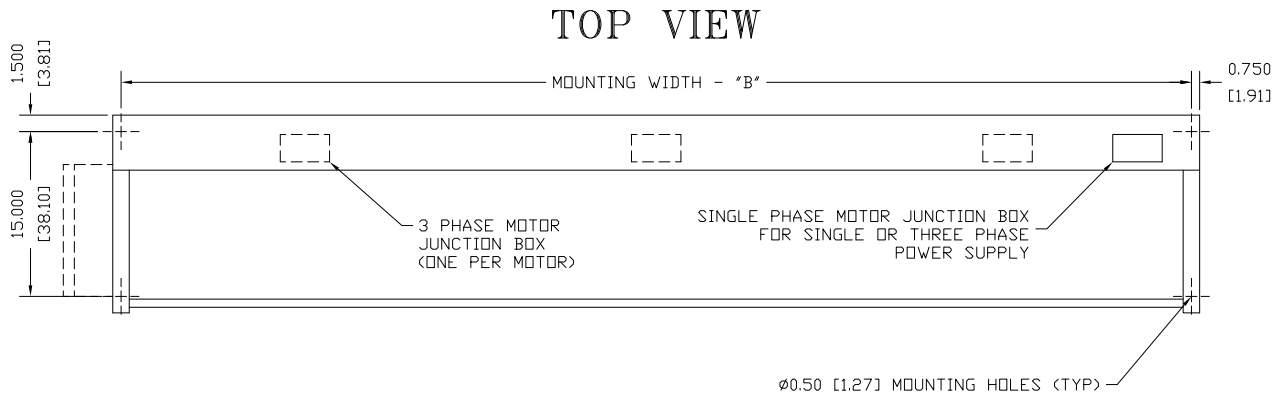
INDUSTRIAL CORRO-DUTY 12

Ambient (Unheated) Air Curtain
Electrical Performance Sheet

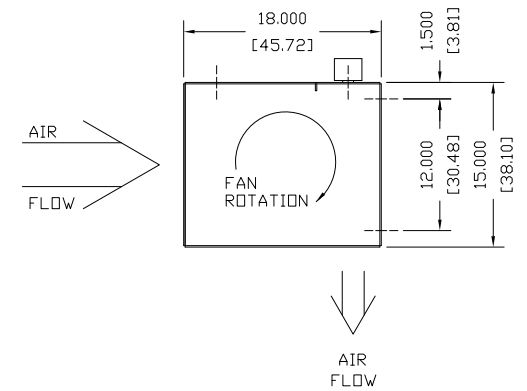
| MODEL | 240/3/60 (voltage code Y) MOTOR AMP DRAW = 3.5 each | | | 480/3/60 (voltage code Z) MOTOR AMP DRAW = 1.4 each | | | 600/3/60 (voltage code Q) MOTOR AMP DRAW = 1.0 each | | | 380/3/50 (voltage code O) MOTOR AMP DRAW = 3.5 each | | |
|--|--|------------------|----------------------------|--|------------------|----------------------------|--|------------------|----------------------------|--|------------------|----------------------------|
| | # CKTS | AMPS PER CIRCUIT | BREAKER RATING PER CIRCUIT | # CKTS | AMPS PER CIRCUIT | BREAKER RATING PER CIRCUIT | # CKTS | AMPS PER CIRCUIT | BREAKER RATING PER CIRCUIT | # CKTS | AMPS PER CIRCUIT | BREAKER RATING PER CIRCUIT |
| CD12-C-1036A CD12-C-1042A CD12-C-1048A CD12-C-1060A | 1 | 3.5 | 15 | 1 | 1.4 | 15 | 1 | 1.0 | 15 | 1 | 3.5 | 15 |
| CD12-C-2060A CD12-C-2072A CD12-C-2078A CD12-C-2084A CD12-C-2096A CD12-C-2108A CD12-C-2120A | 1 | 7.0 | 15 | 1 | 2.8 | 15 | 1 | 2.0 | 15 | 1 | 7.0 | 15 |
| CD12-C-3096A CD12-C-3108A CD12-C-3120A CD12-C-3132A CD12-C-3144A | 1 | 10.5 | 15 | 1 | 4.2 | 15 | 1 | 3.0 | 15 | 1 | 10.5 | 15 |
| CD12-C-4144A CD12-C-4156A CD12-C-4168A CD12-C-4180A CD12-C-4192A | 1 | 14.0 | 20 | 1 | 5.6 | 15 | 1 | 4.0 | 15 | 1 | 14.0 | 20 |
| CD12-C-5180A CD12-C-5192A | 1 | 17.5 | 25 | 1 | 7.0 | 15 | 1 | 5.0 | 15 | 1 | 17.5 | 25 |

Berner reserves the right to alter specifications without prior notice.

CD12-C AMBIENT SYSTEM



END VIEW

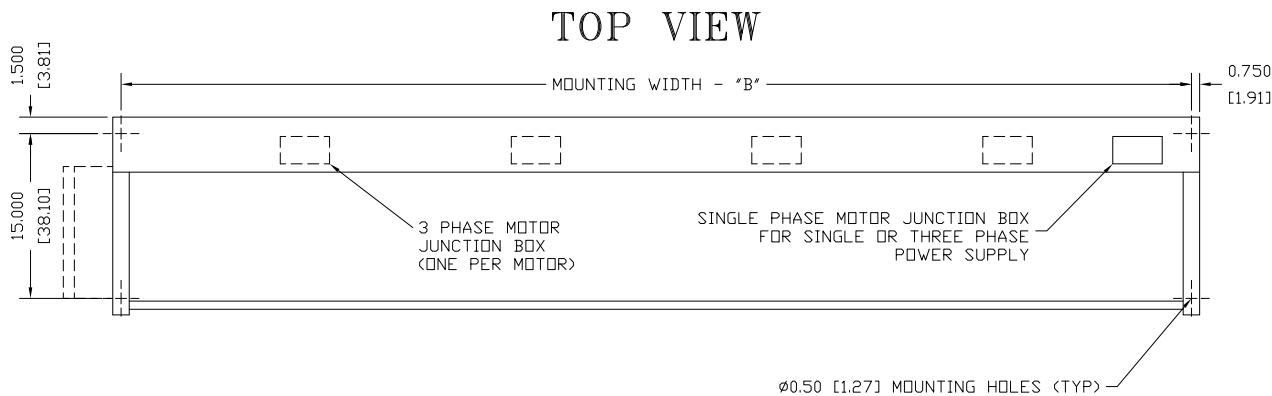


NOTES:

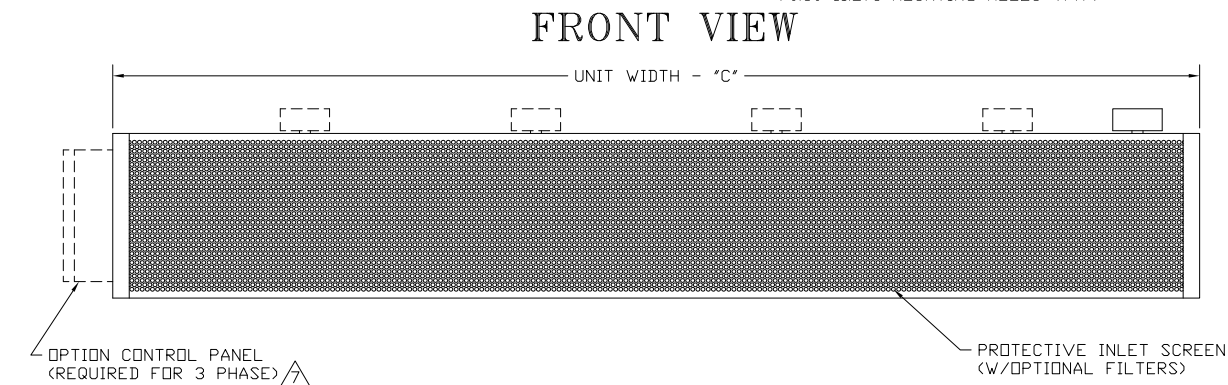
- 1 AIR CURTAIN MUST BE INSTALLED SO AIR STREAM IS NOT OBSTRUCTED WHEN DEFLECTED 20° TO EITHER SIDE OF ϕ .
- 2 ELECTRICAL CONNECTIONS TO BE FLEXIBLE.
- 3 FIELD VERIFY DIMENSIONS.
- 4 ANCHORS TO SUPPORTING STRUCTURE BY OTHERS.
- 5 ADEQUACY OF SUPPORTING STRUCTURE IS TO BE VERIFIED BY A PROFESSIONAL STRUCTURAL ENGINEER.
- 6 LETTER "A" IN MODEL NUMBER DESIGNATES, AMBIENT UNIT.
- 7 STANDARD CONTROL PANEL LEFT HAND MOUNT, OPTIONAL RIGHT HAND MOUNT, OR REMOTE. PLEASE SPECIFY.
- 8 DIMENSIONS IN INCHES [CENTIMETERS].

| MODEL [△] | NOZZLE WIDTH "A" | MOUNTING WIDTH "B" | UNIT WIDTH "C" |
|--------------------|------------------|--------------------|-----------------|
| CD12-C-1036A | 36.00 [91.44] | 37.50 [95.25] | 39.00 [99.06] |
| CD12-C-1042A | 42.00 [106.68] | 43.50 [110.49] | 45.00 [114.30] |
| CD12-C-1048A | 48.00 [121.92] | 49.50 [125.73] | 51.00 [129.54] |
| CD12-C-1060A/2060A | 66.00 [167.64] | 67.50 [171.45] | 69.00 [175.26] |
| CD12-C-2072A | 72.00 [182.88] | 73.50 [186.69] | 75.00 [190.50] |
| CD12-C-2078A | 78.00 [192.12] | 79.50 [201.93] | 81.00 [205.74] |
| CD12-C-2084A | 84.00 [213.36] | 85.50 [217.17] | 87.00 [220.98] |
| CD12-C-2096A/3096A | 99.00 [251.46] | 100.50 [255.27] | 102.00 [259.08] |
| CD12-C-2108A/3108A | 108.00 [274.32] | 109.50 [278.13] | 111.00 [281.94] |
| CD12-C-2120A/3120A | 117.00 [297.18] | 118.50 [300.99] | 120.00 [304.80] |
| CD12-C-3132A | 132.00 [335.28] | 133.50 [339.09] | 135.00 [342.90] |
| CD12-C-3144A/4144A | 144.00 [365.76] | 145.50 [369.57] | 147.00 [373.38] |

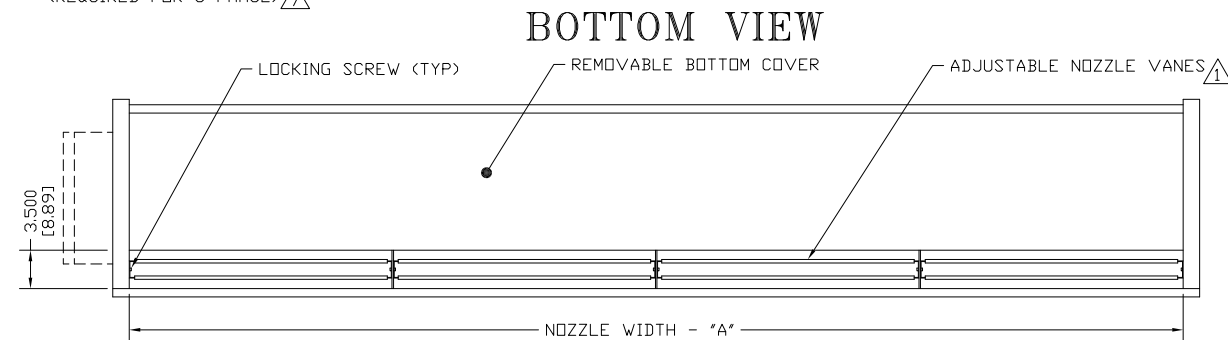
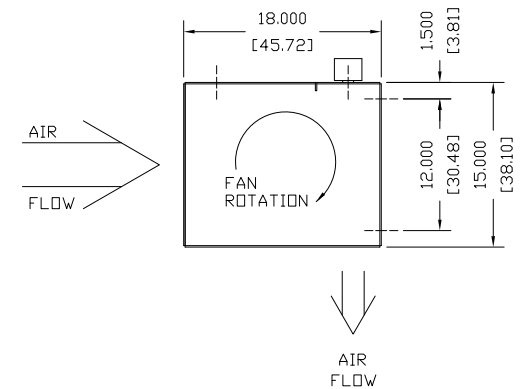
| | | |
|-----------|-------------|---|
| PROJECT | | |
| LOCATION | | |
| ARCHITECT | | |
| ENGINEER | | |
| DWG. NO. | CD12-C-AMB1 | TITLE: BERNER |
| DATE | 21JAN2021 | MODEL CD12-C AIR CURTAIN |
| BY | S. Beil | CORRO DUTY AMBIENT SYSTEM |
| REPLACES | - | BERNER INTERNATIONAL CORP. NEW CASTLE, PA. |
| BY | - | |



CD12-C AMBIENT SYSTEM



END VIEW

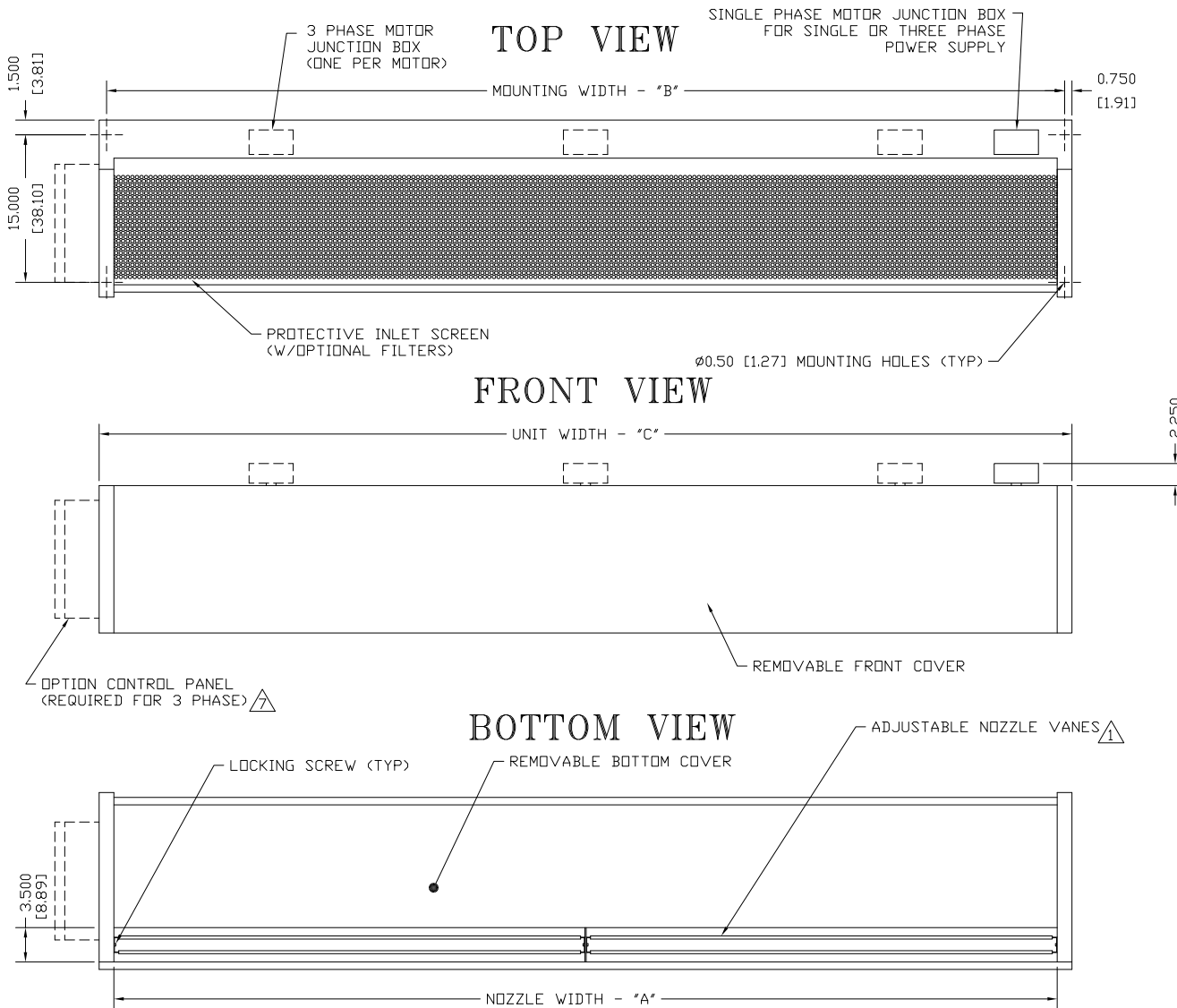


NOTES:

- ⚠ AIR CURTAIN MUST BE INSTALLED SO AIR STREAM IS NOT OBSTRUCTED WHEN DEFLECTED 20° TO EITHER SIDE OF \square .
- ⚠ ELECTRICAL CONNECTIONS TO BE FLEXIBLE.
- ⚠ FIELD VERIFY DIMENSIONS.
- ⚠ ANCHORS TO SUPPORTING STRUCTURE BY OTHERS.
- ⚠ ADEQUACY OF SUPPORTING STRUCTURE IS TO BE VERIFIED BY A PROFESSIONAL STRUCTURAL ENGINEER.
- ⚠ LETTER "A" IN MODEL NUMBER DESIGNATES, AMBIENT UNIT.
- ⚠ STANDARD CONTROL PANEL LEFT HAND MOUNT, OPTIONAL RIGHT HAND MOUNT, OR REMOTE. PLEASE SPECIFY.
- ⚠ DIMENSIONS IN INCHES [CENTIMETERS].

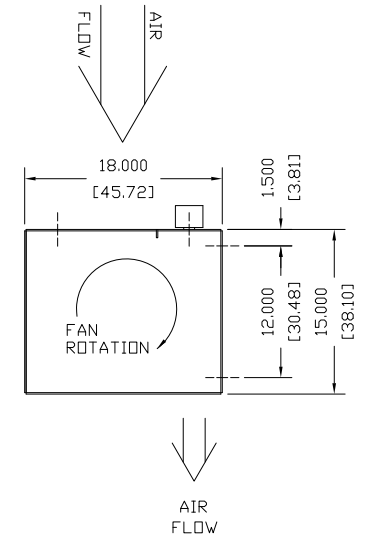
| MODEL ⚠ | NOZZLE WIDTH "A" | MOUNTING WIDTH "B" | UNIT WIDTH "C" |
|--------------------|------------------|--------------------|-----------------|
| CD12-C-4156A | 156.00 [396.24] | 157.50 [400.05] | 159.00 [403.86] |
| CD12-C-4168A | 168.00 [426.72] | 169.50 [430.53] | 171.00 [434.34] |
| CD12-C-4180A/5180A | 180.00 [457.20] | 181.50 [461.01] | 183.00 [464.82] |
| CD12-C-4192A/5192A | 192.00 [487.68] | 193.50 [491.49] | 195.00 [495.30] |

| | | |
|-----------|-------------|--|
| PROJECT | | BERNER MODEL CD12-C AIR CURTAIN CORRO DUTY AMBIENT SYSTEM |
| LOCATION | | |
| ARCHITECT | | |
| ENGINEER | | |
| DWG. NO. | CD12-C-AMB2 | BERNER INTERNATIONAL CORP. NEW CASTLE, PA. |
| DATE | 21JAN2021 | |
| BY | S. Beil | |
| REPLACES | - | |
| BY | - | |



CD12-C AMBIENT SYSTEM TOP INTAKE

END VIEW

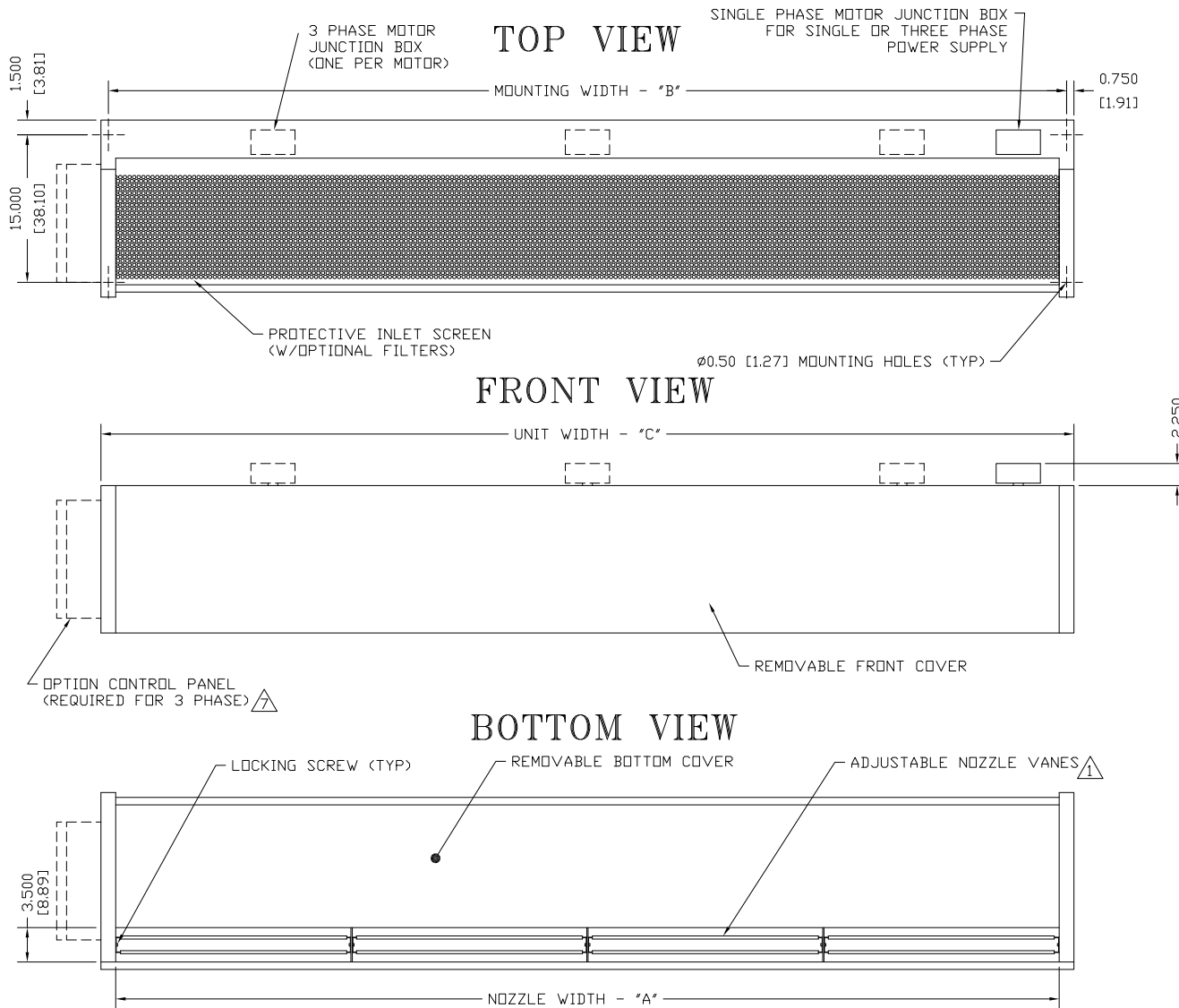


NOTES:

- ⚠ AIR CURTAIN MUST BE INSTALLED SO AIR STREAM IS NOT OBSTRUCTED WHEN DEFLECTED 20° TO EITHER SIDE OF C.
- ⚡ ELECTRICAL CONNECTIONS TO BE FLEXIBLE.
- ③ FIELD VERIFY DIMENSIONS.
- ⚠ ANCHORS TO SUPPORTING STRUCTURE BY OTHERS.
- ⚠ ADEQUACY OF SUPPORTING STRUCTURE IS TO BE VERIFIED BY A PROFESSIONAL STRUCTURAL ENGINEER.
- ⚠ LETTER "A" IN MODEL NUMBER DESIGNATES, AMBIENT UNIT.
- ⚠ STANDARD CONTROL PANEL LEFT HAND MOUNT, OPTIONAL RIGHT HAND MOUNT, OR REMOTE. PLEASE SPECIFY.
- Ⓐ DIMENSIONS IN INCHES [CENTIMETERS].

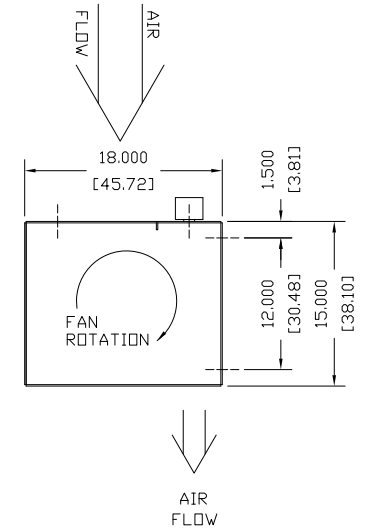
| MODEL ⚠ | NOZZLE WIDTH "A" | MOUNTING WIDTH "B" | UNIT WIDTH "C" |
|--------------------|------------------|--------------------|-----------------|
| CD12-C-1036A | 36.00 [91.44] | 37.50 [95.25] | 39.00 [99.06] |
| CD12-C-1042A | 42.00 [106.68] | 43.50 [110.49] | 45.00 [114.30] |
| CD12-C-1048A | 48.00 [121.92] | 49.50 [125.73] | 51.00 [129.54] |
| CD12-C-1060A/2060A | 66.00 [167.64] | 67.50 [171.45] | 69.00 [175.26] |
| CD12-C-2072A | 72.00 [182.88] | 73.50 [186.69] | 75.00 [190.50] |
| CD12-C-2078A | 78.00 [192.12] | 79.50 [201.93] | 81.00 [205.74] |
| CD12-C-2084A | 84.00 [213.36] | 85.50 [217.17] | 87.00 [220.98] |
| CD12-C-2096A/3096A | 99.00 [251.46] | 100.50 [255.27] | 102.00 [259.08] |
| CD12-C-2108A/3108A | 108.00 [274.32] | 109.50 [278.13] | 111.00 [281.94] |
| CD12-C-2120A/3120A | 117.00 [297.18] | 118.50 [300.99] | 120.00 [304.80] |
| CD12-C-3132A | 132.00 [335.28] | 133.50 [339.09] | 135.00 [342.90] |
| CD12-C-3144A/4144A | 144.00 [365.76] | 145.50 [369.57] | 147.00 [373.38] |

| | | | |
|-----------|-------------|---|---------------|
| PROJECT | | TITLE: | BERNER |
| LOCATION | | MODEL CD12-C AIR CURTAIN | |
| ARCHITECT | | CORRO DUTY AMBIENT SYSTEM TOP INTAKE | |
| ENGINEER | | | |
| DWG. NO. | CD12-C-AMB3 | | |
| DATE | 21JAN2021 | | |
| BY | S. Beil | | |
| REPLACES | - | | |
| BY | - | | |
| | | BERNER INTERNATIONAL CORP. NEW CASTLE, PA. | |



CD12-C AMBIENT SYSTEM TOP INTAKE

END VIEW



NOTES:

- ⚠ AIR CURTAIN MUST BE INSTALLED SO AIR STREAM IS NOT OBSTRUCTED WHEN DEFLECTED 20° TO EITHER SIDE OF C .
- ⚠ ELECTRICAL CONNECTIONS TO BE FLEXIBLE.
- ⚠ FIELD VERIFY DIMENSIONS.
- ⚠ ANCHORS TO SUPPORTING STRUCTURE BY OTHERS.
- ⚠ ADEQUACY OF SUPPORTING STRUCTURE IS TO BE VERIFIED BY A PROFESSIONAL STRUCTURAL ENGINEER.
- ⚠ LETTER "A" IN MODEL NUMBER DESIGNATES, AMBIENT UNIT.
- ⚠ STANDARD CONTROL PANEL LEFT HAND MOUNT, OPTIONAL RIGHT HAND MOUNT, OR REMOTE. PLEASE SPECIFY.
- ⚠ DIMENSIONS IN INCHES [CENTIMETERS].

| MODEL ⚠ | NOZZLE WIDTH "A" | MOUNTING WIDTH "B" | UNIT WIDTH "C" |
|--------------------|------------------|--------------------|-----------------|
| CD12-C-4156A | 156.00 [396.24] | 157.50 [400.05] | 159.00 [403.86] |
| CD12-C-4168A | 168.00 [426.72] | 169.50 [430.53] | 171.00 [434.34] |
| CD12-C-4180A/5180A | 180.00 [457.20] | 181.50 [461.01] | 183.00 [464.82] |
| CD12-C-4192A/5192A | 192.00 [487.68] | 193.50 [491.49] | 195.00 [495.30] |

| | | | |
|-----------|------------|--------|---|
| PROJECT | | TITLE: | BERNER |
| LOCATION | | | MODEL CD12-C AIR CURTAIN |
| ARCHITECT | | | CORRO DUTY AMBIENT SYSTEM TOP INTAKE |
| ENGINEER | | | |
| DWG. NO. | CD12-CAMB4 | | |
| DATE | 21JAN2021 | | |
| BY | S. Beil | | |
| REPLACES | - | | |
| BY | - | | |
| | | | BERNER INTERNATIONAL CORP. NEW CASTLE, PA. |