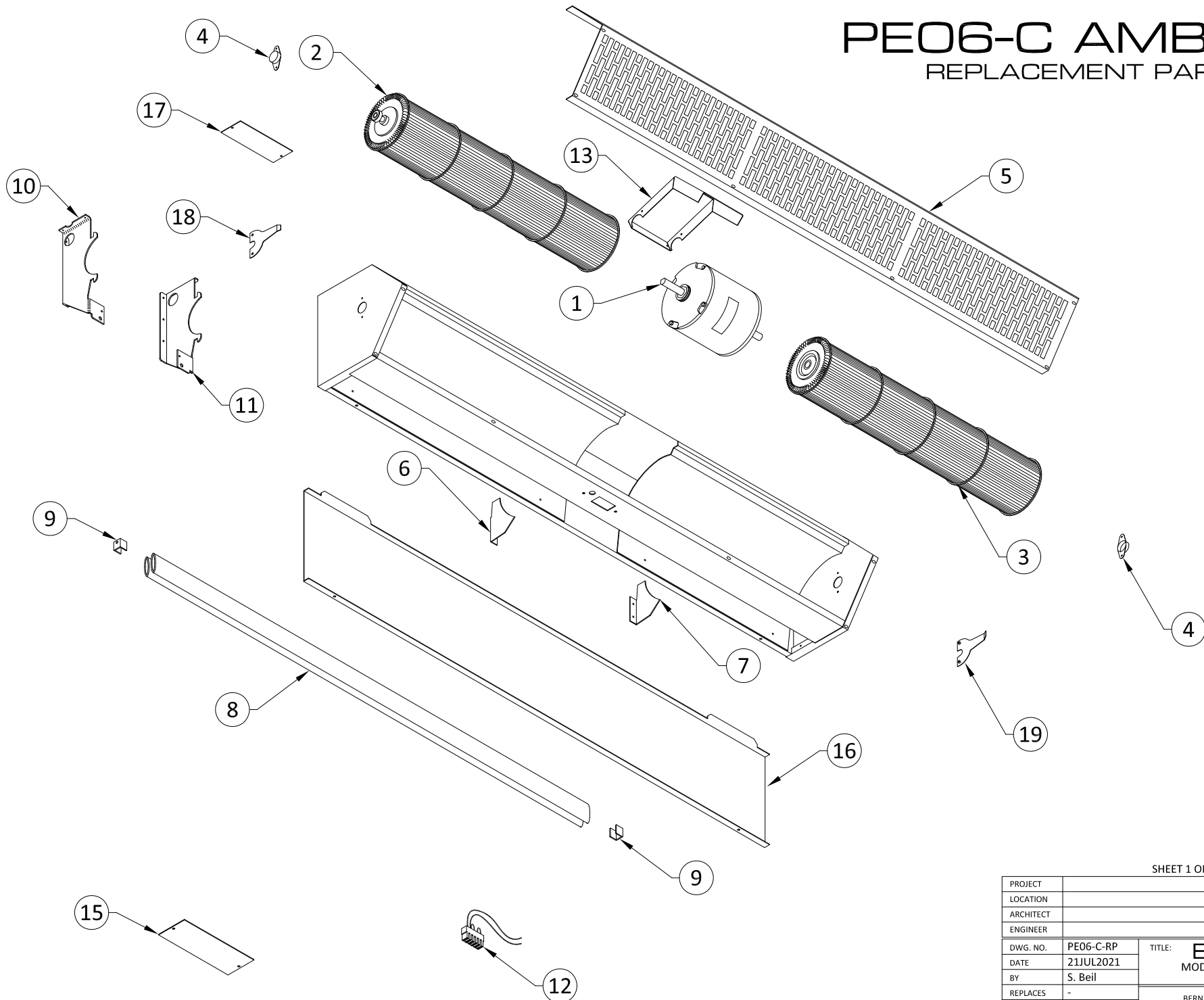


# PE06-C AMBIENT

## REPLACEMENT PARTS



SHEET 1 OF 2

PROJECT			
LOCATION			
ARCHITECT			
ENGINEER			REV. -
DWG. NO.	PE06-C-RP	TITLE:	<b>BERNER</b>
DATE	21JUL2021		MODEL: PE06-C AIR CURTAIN
BY	S. Beil		REPLACEMENT PARTS
REPLACES	-	BERNER INTERNATIONAL CORP. NEW CASTLE, PA.	
BY	-		

# PE06-C AMBIENT REPLACEMENT PARTS

ITEM	DESCRIPTION	PART #
1	MOTOR, 1/5 HP, (120-208/240V, 1PH)	011F5042F1X18C
2	BLOWER WHEEL - LEFT HAND (specify length - inches)	29T450S012A-L**
3	BLOWER WHEEL - RIGHT HAND (specify length - inches)	29T450S012A-R**
4	BEARING CUP	CONSULT FACTORY
5	INLET SCREEN - STANDARD (specify length - inches)	40EZN***S
5	INLET SCREEN - STAINLESS STEEL (specify length - inches)	40EZN***S-SS
6	LEFT DIVERTER	40ZPRO00D-L
7	RIGHT DIVERTER	40ZPRO00D-R
8	NOZZLE VANE (specify vane length - inches)	06ALM516ARF-121
9	NOZZLE VANE CLIP	40GEN-NVC-0875
10	MOTOR BASE LEFT BRACKET - STANDARD	40EZ012MMC-1F5-L
10	MOTOR BASE LEFT BRACKET - STAINLESS STEEL	40EZ012MMC-1F5-L-SS
11	MOTOR BASE RIGHT BRACKET - STANDARD	40EZ012MMC-1F5-R
11	MOTOR BASE RIGHT BRACKET - STAINLESS STEEL	40EZ012MMC-1F5-R-SS
12	MOTOR WIRING HARNESS, 1/5 HP, 120V	505WH115LWA
12	MOTOR WIRING HARNESS, 1/5 HP, 208/240V	505WH230LWA
13	MOTOR WEATHER SHIELD	40EZN000MSH-1F5-INT
14	MOTOR WEATHER SHIELD - STAINLESS STEEL	40EZN000MSH-1F5-INT-SS
15	BERNER NAME PLATE (NO SWITCHES)	55BERN-2X5
16	WALL MOUNTING PLATE - STANDARD (specify length - inches))	40EZN***WMP
16	WALL MOUNTING PLATE - STAINLESS STEEL (specify length - inches)	40EZN***WMP-SS
17	WIRING COMPARTMENT COVER - STANDARD	40EZN000WC-C
17	WIRING COMPARTMENT COVER - STAINLESS STEEL	40EZN000WC-C-SS
18	BEARING RETAINER - STANDARD	40EZN000BR-U
18	BEARING RETAINER - STAINLESS STEEL	40EZN000BR-U-SS

\*\* SPECIFY FAN LENGTH (IN INCHES)

\*\*\* SPECIFY UNIT LENGTH (IN INCHES)

SHEET 2 OF 2

PROJECT			
LOCATION			
ARCHITECT			
ENGINEER			REV. -
DWG. NO.	PT06-C-RP	TITLE:	<b>BERNER</b>
DATE	21JUL2021		MODEL: PE06-C AIR CURTAIN
BY	S. Beil		REPLACEMENT PARTS
REPLACES	-	BERNER INTERNATIONAL CORP. NEW CASTLE, PA.	
BY	-		