



# PASS-THRU UNIT 6 - Model# PT06

## Electric Heated Air Curtain

### Data Sheet

For Mounting Heights To 6' (environmental separation & insect control)

#### STANDARD CONSTRUCTION

- 8½" high x 13½" deep
- 1/5 hp variable speed motor(s)
- Factory installed rheostat variable speed switch
- Factory installed heat on/off switch
- White or black powder coated exterior (Optional: Custom Color or Stainless)
- Wall & Top Mounting
- Optional: Filter (washable)
- Open helical element with point suspension
  - Thermal overload protection
  - Galvanized steel frame
- Alternate kW: see sheet EP-018

2 Year  
Limited  
Warranty



MODEL	Nozzle Width (in)	Avg. Outlet Vel. (fpm)	Air Volume (cfm)	Outlet Vel. Uniformity	Power Rating (kW)	Motor(s) @ hp	Max Electric Capacity (kW)	Heater Output (MBH)	Air Temp. Rise (°F)	Net Wt. (lbs)
PT06-C-1025E	23.60	1,087	423	79%	0.32	1 @ 1/5	4.0	13.7	30	37
PT06-C-1030E	27.50	1,243	564	82%	0.32	1 @ 1/5	4.0	13.7	22	42
PT06-C-1036E	34.62	1,481	846	82%	0.32	1 @ 1/5	7.5	25.6	28	48
PT06-C-1042E	40.62	1,477	990	83%	0.32	1 @ 1/5	7.5	25.6	24	53
PT06-C-1048E	46.62	1,467	1,128	84%	0.32	1 @ 1/5	10.8	36.9	30	58
PT06-C-1060E	58.13	1,433	1,374	84%	0.32	1 @ 1/5	10.8	36.9	25	67
PT06-C-1072E	71.37	1,437	1,692	86%	0.32	1 @ 1/5	15.0	51.2	28	77
PT06-C-2084E	83.50	1,437	1,980	83%	0.64	2 @ 1/5	15.0	51.2	24	105
PT06-C-2096E	95.50	1,432	2,256	84%	0.64	2 @ 1/5	21.6	73.7	30	115
PT06-C-2108E	107.00	1,417	2,501	84%	0.64	2 @ 1/5	21.6	73.7	27	123
PT06-C-2120E	118.50	1,406	2,747	84%	0.64	2 @ 1/5	21.6	73.7	25	137

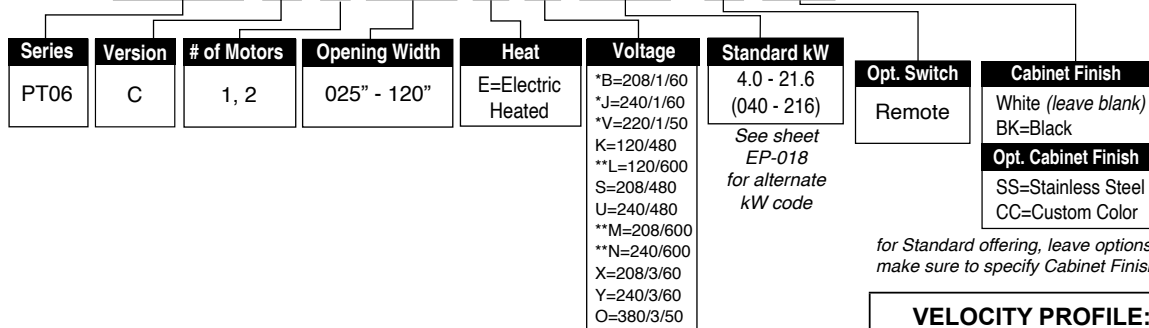
#### NOTES:

1. Operation at 50 Hz will generate approximately a 17% reduction in air performance.
2. 120V two motor units require (2) factory installed rheostat variable speed switches.

See sheet EP-018 for amp draws/total load requirements and alternate kW.

### MODEL NUMBER CONFIGURATION

PT06-C-1 025 E B-040 -R-SS



for Standard offering, leave options (Opt.) blank  
make sure to specify Cabinet Finish if other than white

\*B, J & V - Max 16.2 kW  
\*\*L, M & N: Not available for PT06-C-1025E & PT06-C-1030E  
See sheet EP-018 for available lengths and voltages

VELOCITY PROFILE: Model PT06-C-1036E			
Distance from Nozzle (in)	24	48	72
Core Velocity (fpm)	1520	1076	846
Uniformity (%)	82	82	83

A velocity of 600 feet per minute (fpm) at the counter required to meet NSF 37 for pass-thru windows.

Sound level measured 10' (3m) from the unit in free field:

- 1 motor: Low/High Speed: 53/54 dBA
- 2 motors: Low/High Speed: 56/57 dBA

Berner reserves the right to alter specifications without prior notice.



# PASS-THRU UNIT 6 - Model# PT06

## Indoor Only - Electric Heated Air Curtain

### Electrical Performance Sheet

MODEL	kW (code)	Temp Rise °F	208/1/60 (voltage code B) MOTOR AMP DRAW = 1.7 each			240/1/60 (voltage code J) or 220/1/50 (voltage code V) MOTOR AMP DRAW = 1.7 each			208/3/60 (voltage code X) MOTOR AMP DRAW = 1.7 each			240/3/60 (voltage code Y) MOTOR AMP DRAW = 1.7 each		
			# CKTS	AMPS PER CIRCUIT (including motor)	BREAKER RATING PER CIRCUIT	# CKTS	AMPS PER CIRCUIT (including motor)	BREAKER RATING PER CIRCUIT	# CKTS	AMPS PER CIRCUIT (including motor)	BREAKER RATING PER CIRCUIT	# CKTS	AMPS PER CIRCUIT (including motor)	BREAKER RATING PER CIRCUIT
PT06-C-1025E PT06-C-1030E	4 (040)	26	1	20.9	30	1	18.4	25	1	12.8	20	1	11.3	15
	3 (030)	20	1	16.1	25	1	14.2	20	1	10.0	15	1	8.9	15
	2 (020)	13	1	11.3	15	-	N/A	N/A	1	7.3	15	-	N/A	N/A
PT06-C-1036E PT06-C-1042E	7.5 (075)	26	1	37.8	50	1	33.0	45	1	22.5	30	1	19.7	25
	5.6 (056)	20	1	28.6	40	1	25.0	35	1	17.2	25	1	15.2	20
	4 (040)	13	1	20.9	30	1	18.4	25	1	12.8	20	1	11.3	15
PT06-C-1048E PT06-C-1060E	10.8 (108)	28	2	27.7/26.0	35/35	1	46.7	60	1	31.7	40	1	27.7	35
	8.1 (081)	21	1	40.6	60	1	35.5	45	1	24.2	35	1	21.2	30
	5.6 (056)	15	1	28.6	40	1	25.0	35	1	17.2	25	1	15.2	20
PT06-C-1072E	15 (150)	28	2	37.8/36.1	50/50	2	33.0/31.3	45/40	1	43.3	60	1	37.8	50
	11.2 (112)	21	2	28.6/26.9	40/35	1	48.4	60	1	32.8	45	1	28.6	40
	8 (080)	15	1	40.2	60	1	35.0	45	1	23.9	30	1	20.9	30
PT06-C-2084E	15 (150)	24	2	39.5/36.1	50/50	2	34.7/31.3	45/40	1	45.0	60	1	39.5	50
	11.2 (112)	18	2	30.3/26.9	40/35	1	50.1	60	1	34.5	45	1	30.3	40
	8 (080)	13	1	41.9	60	1	36.7	50	1	25.6	35	1	22.6	30
PT06-C-2096E PT06-C-2108E PT06-C-2120E	21.6 (216)	27	-	N/A	N/A	-	N/A	N/A	2	33.4/30.0	45/40	2	29.4/26.0	40/35
	16.2 (162)	21	2	42.3/38.9	60/50	2	37.2/33.8	50/45	1	48.4	60	1	42.4	60
	11.2 (112)	14	2	30.3/26.9	40/35	1	50.1	60	1	34.5	45	1	30.3	40



# PASS-THRU UNIT 6 - Model# PT06

**Indoor Only - Electric Heated Air Curtain**  
**Electrical Performance Sheet**

MODEL	kW (code)	Temp Rise °F	120/1/60 - 480/3/60 (voltage code K) 120V MOTOR AMP DRAW = 3.4 each				208/1/60 - 480/3/60 (voltage code S) 208V MOTOR AMP DRAW = 1.7 each				240/1/60 - 480/3/60 (voltage code U) 240V MOTOR AMP DRAW = 1.7 each				380/3/50 (voltage code O) MOTOR AMP DRAW = 1.7 each					
			# CKTS	AMPS PER CIRCUIT		BREAKER RATING PER CIRCUIT		# CKTS	AMPS PER CIRCUIT		BREAKER RATING PER CIRCUIT		# CKTS	AMPS PER CIRCUIT		BREAKER RATING PER CIRCUIT		# CKTS	AMPS PER CIRCUIT (including motor)	BREAKER RATING PER CIRCUIT
				120V/1	480V/3	120V/1	480V/3		208V/1	480V/3	208V/1	480V/3		240V/1	480V/3	240V/1	480V/3			
PT06-C-1025E PT06-C-1030E	4 (040)	25	2	3.4	4.8	15	15	2	1.7	4.8	15	15	2	1.7	4.8	15	15	1	7.8	15
	3 (030)	19	-	N/A	N/A	N/A	N/A	-	N/A	N/A	N/A	N/A	-	N/A	N/A	N/A	N/A	1	6.3	15
	2 (020)	13	-	N/A	N/A	N/A	N/A	-	N/A	N/A	N/A	N/A	-	N/A	N/A	N/A	N/A	-	N/A	N/A
PT06-C-1036E PT06-C-1042E	7.5 (075)	23	2	3.4	9.0	15	15	2	1.7	9.0	15	15	2	1.7	9.0	15	15	1	13.1	20
	5.6 (056)	18	2	3.4	6.7	15	15	2	1.7	6.7	15	15	2	1.7	6.7	15	15	1	10.2	15
	4 (040)	13	2	3.4	4.8	15	15	2	1.7	4.8	15	15	2	1.7	4.8	15	15	1	7.8	15
PT06-C-1048E PT06-C-1060E	10.8 (108)	25	2	3.4	13.0	15	20	2	1.7	13.0	15	20	2	1.7	13.0	15	20	1	18.1	25
	8.1 (081)	19	2	3.4	9.7	15	15	2	1.7	9.7	15	15	2	1.7	9.7	15	15	1	14.0	20
	5.6 (056)	13	2	3.4	6.7	15	15	2	1.7	6.7	15	15	2	1.7	6.7	15	15	1	10.2	15
PT06-C-1072E	15 (150)	23	2	3.4	18.0	15	25	2	1.7	18.0	15	25	2	1.7	18.0	15	25	1	24.5	35
	11.2 (112)	18	2	3.4	13.5	15	20	2	1.7	13.5	15	20	2	1.7	13.5	15	20	1	18.7	25
	8 (080)	13	2	3.4	9.6	15	15	2	1.7	9.6	15	15	2	1.7	9.6	15	15	1	13.9	20
PT06-C-2084E	15 (150)	20	2	6.8	18.0	15	25	2	3.4	18.0	15	25	2	3.4	18.0	15	25	1	26.2	35
	11.2 (112)	15	2	6.8	13.5	15	20	2	3.4	13.5	15	20	2	3.4	13.5	15	20	1	20.4	30
	8 (080)	11	2	6.8	9.6	15	15	2	3.4	9.6	15	15	2	3.4	9.6	15	15	1	15.6	20
PT06-C-2096E PT06-C-2108E PT06-C-2120E	21.6 (216)	25	2	6.8	26.0	15	35	2	3.4	26.0	15	35	2	3.4	26.0	15	35	1	36.2	45
	16.2 (162)	19	2	6.8	19.5	15	25	2	3.4	19.5	15	25	2	3.4	19.5	15	25	1	28.0	35
	11.2 (112)	13	2	6.8	13.5	15	20	2	3.4	13.5	15	20	2	3.4	13.5	15	20	1	20.4	30

*Berner reserves the right to alter specifications without prior notice.*

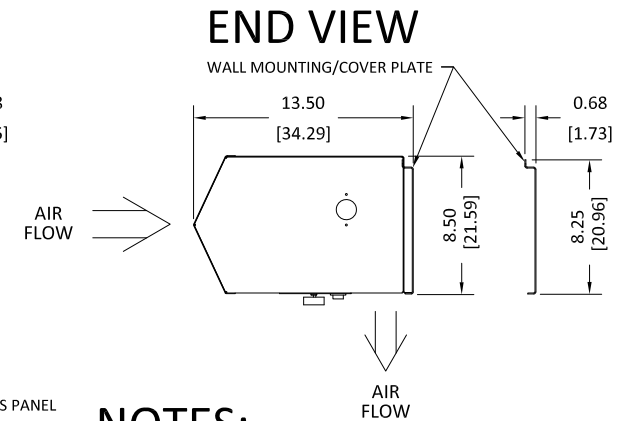
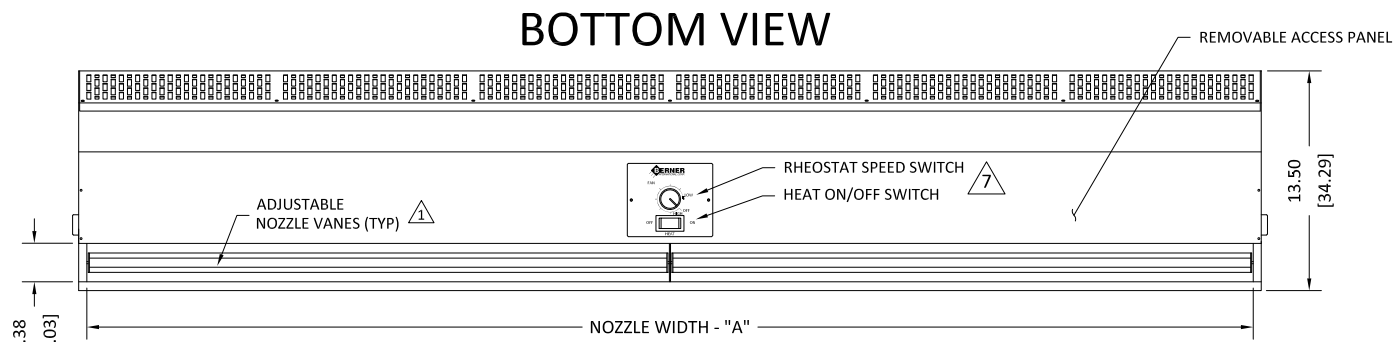
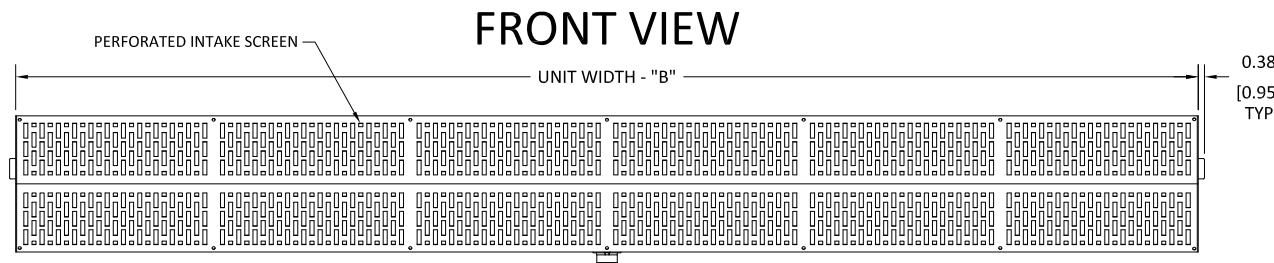
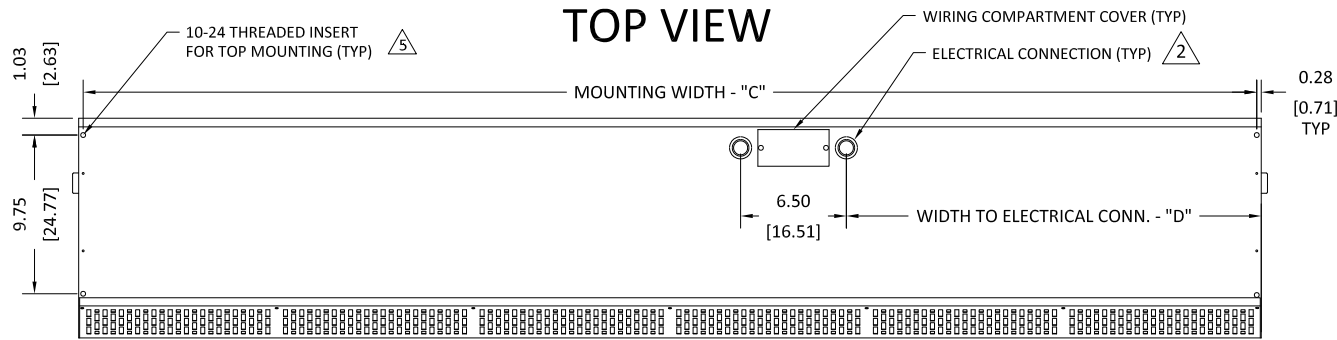


# PASS-THRU UNIT 6 - Model# PT06

Indoor Only - Electric Heated Air Curtain  
Electrical Performance Sheet

MODEL	kW (code)	Temp Rise °F	120/1/60 - 600/3/60 (voltage code L) 120V MOTOR AMP DRAW = 3.4 each				208/1/60 - 600/3/60 (voltage code M) 208V MOTOR AMP DRAW = 1.7 each				240/1/60 - 600/3/60 (voltage code N) 240V MOTOR AMP DRAW = 1.7 each						
			# CKTS	AMPS PER CIRCUIT		BREAKER RATING PER CIRCUIT		# CKTS	AMPS PER CIRCUIT		BREAKER RATING PER CIRCUIT		# CKTS	AMPS PER CIRCUIT		BREAKER RATING PER CIRCUIT	
				120V/1	600V/3	120V/1	600V/3		208V/1	600V/3	208V/1	600V/3		240V/1	600V/3	240V/1	600V/3
PT06-C-1025E PT06-C-1030E	4 (040)	25	-	N/A	N/A	N/A	N/A	-	N/A	N/A	N/A	N/A	-	N/A	N/A	N/A	N/A
	3 (030)	19	-	N/A	N/A	N/A	N/A	-	N/A	N/A	N/A	N/A	-	N/A	N/A	N/A	N/A
	2 (020)	13	-	N/A	N/A	N/A	N/A	-	N/A	N/A	N/A	N/A	-	N/A	N/A	N/A	N/A
PT06-C-1036E PT06-C-1042E	7.5 (075)	23	2	3.4	7.2	15	15	2	1.7	7.2	15	15	2	1.7	7.2	15	15
	5.6 (056)	18	2	3.4	5.4	15	15	2	1.7	5.4	15	15	2	1.7	5.4	15	15
	4 (040)	13	2	3.4	3.8	15	15	2	1.7	3.8	15	15	2	1.7	3.8	15	15
PT06-C-1048E PT06-C-1060E	10.8 (108)	25	2	3.4	10.4	15	15	2	1.7	10.4	15	15	2	1.7	10.4	15	15
	8.1 (081)	19	2	3.4	7.8	15	15	2	1.7	7.8	15	15	2	1.7	7.8	15	15
	5.6 (056)	13	2	3.4	5.4	15	15	2	1.7	5.4	15	15	2	1.7	5.4	15	15
PT06-C-1072E	15 (150)	23	2	3.4	14.4	15	20	2	1.7	14.4	15	20	2	1.7	14.4	15	20
	11.2 (112)	18	2	3.4	10.8	15	15	2	1.7	10.8	15	15	2	1.7	10.8	15	15
	8 (080)	13	2	3.4	7.7	15	15	2	1.7	7.7	15	15	2	1.7	7.7	15	15
PT06-C-2084E	15 (150)	20	2	6.8	14.4	15	20	2	3.4	14.4	15	20	2	3.4	14.4	15	20
	11.2 (112)	15	2	6.8	10.8	15	15	2	3.4	10.8	15	15	2	3.4	10.8	15	15
	8 (080)	11	2	6.8	7.7	15	15	2	3.4	7.7	15	15	2	3.4	7.7	15	15
PT06-C-2096E PT06-C-2108E PT06-C-2120E	21.6 (216)	25	2	6.8	20.8	15	30	2	3.4	20.8	15	30	2	3.4	20.8	15	30
	16.2 (162)	19	2	6.8	15.6	15	20	2	3.4	15.6	15	20	2	3.4	15.6	15	20
	11.2 (112)	13	2	6.8	12.5	15	15	2	3.4	12.5	15	15	2	3.4	12.5	15	15

# PT06-C ELECTRIC HEATED SYSTEM



## NOTES:

- <sup>1</sup> AIR CURTAIN MUST BE INSTALLED SO AIR STREAM IS NOT OBSTRUCTED WHEN DEFLECTED 20° TO EITHER SIDE OF C.
- <sup>2</sup> ELECTRICAL CONNECTIONS TO BE FLEXIBLE.
- <sup>3</sup> FIELD VERIFY DIMENSIONS.
- <sup>4</sup> ANCHORS TO SUPPORTING STRUCTURE BY OTHERS.
- <sup>5</sup> ADEQUACY OF SUPPORTING STRUCTURE IS TO BE VERIFIED BY A PROFESSIONAL STRUCTURAL ENGINEER.
- <sup>6</sup> LETTER "E" IN MODEL NUMBER DESIGNATES ELECTRIC HEATED UNIT.
- <sup>7</sup> 120V TWO MOTOR UNITS REQUIRE (2) FACTORY INSTALLED RHEOSTAT VARIABLE SPEED SWITCHES.
- <sup>8</sup> DIMENSIONS IN INCHES [CENTIMETERS].

MODEL <sup>6</sup>	NOZZLE WIDTH "A"	UNIT WIDTH "B"	MOUNTING WIDTH "C"	WIDTH TO ELEC. CONN. "D"
PT06-C-1025E	23.60 [59.94]	25.06 [63.65]	24.50 [62.23]	3.89 [9.88]
PT06-C-1030E	27.44 [69.69]	28.88 [73.35]	28.32 [71.93]	9.18 [23.32]
PT06-C-1036E	34.62 [87.95]	36.06 [91.60]	35.50 [90.17]	7.13 [18.10]
PT06-C-1042E	40.62 [103.17]	42.06 [106.83]	41.50 [105.41]	13.13 [33.34]
PT06-C-1048E	46.62 [118.41]	48.06 [122.07]	47.50 [120.65]	13.13 [33.34]
PT06-C-1060E	58.13 [147.65]	59.55 [151.26]	59.00 [149.86]	18.88 [47.94]
PT06-C-1072E	71.37 [181.28]	72.81 [184.94]	72.25 [183.52]	25.50 [64.80]
PT06-C-2084E	83.50 [212.09]	84.94 [215.74]	84.38 [214.31]	13.13 [33.34]
PT06-C-2096E	95.50 [242.57]	96.94 [246.23]	96.38 [244.79]	13.13 [33.34]
PT06-C-2108E	107.00 [271.78]	108.44 [275.44]	107.88 [274.00]	18.88 [47.94]
PT06-C-2120E	118.50 [300.99]	119.94 [304.65]	119.38 [303.21]	18.88 [47.94]

PROJECT		TITLE:	<b>BERNER</b> MODEL PT06-C AIR CURTAIN ELECTRIC HEATED SYSTEM (INDOOR)
LOCATION		DATE	
ARCHITECT		BY	S. Beil
ENGINEER		REPLACES	-
		BY	-
			BERNER INTERNATIONAL CORP. NEW CASTLE, PA.