

For Mounting Heights To 6' (environmental separation & insect control)

STANDARD CONSTRUCTION

- 8½" high x 8½" deep
- 1/5 hp variable speed motor(s)
- Remote mounted rheostat variable speed switch – order separately
- White or black powder coated exterior
(Optional: Custom Color or Stainless)
- Wall & Top Mounting
- Optional: Filter (washable)

**5 Year
Limited
Warranty**



for outdoor use

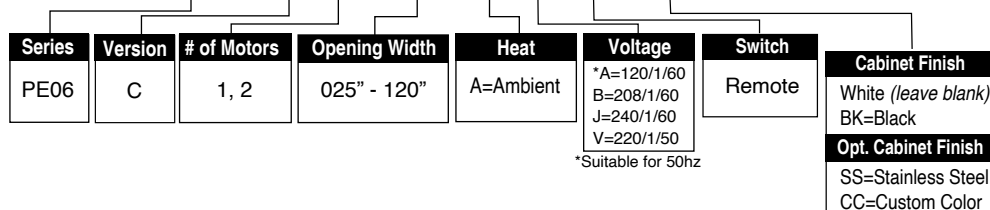
| MODEL | Nozzle Width (in) | Avg. Outlet Vel. (fpm) | Air Volume (cfm) | Outlet Vel. Uniformity | Power Rating (kW) | Motor(s) @ hp | Net Wt. (lbs) |
|--------------|-------------------|------------------------|------------------|------------------------|-------------------|---------------|---------------|
| PE06-C-1025A | 23.60 | 1,147 | 446 | 79% | 0.32 | 1 @ 1/5 | 30 |
| PE06-C-1030A | 27.50 | 1,356 | 615 | 82% | 0.32 | 1 @ 1/5 | 33 |
| PE06-C-1036A | 34.62 | 1,563 | 893 | 82% | 0.32 | 1 @ 1/5 | 35 |
| PE06-C-1042A | 40.62 | 1,552 | 1,040 | 83% | 0.32 | 1 @ 1/5 | 38 |
| PE06-C-1048A | 46.62 | 1,548 | 1,190 | 84% | 0.32 | 1 @ 1/5 | 42 |
| PE06-C-1060A | 58.13 | 1,512 | 1,449 | 84% | 0.32 | 1 @ 1/5 | 49 |
| PE06-C-1072A | 71.37 | 1,510 | 1,777 | 86% | 0.32 | 1 @ 1/5 | 56 |
| PE06-C-2084A | 83.50 | 1,510 | 2,079 | 83% | 0.64 | 2 @ 1/5 | 76 |
| PE06-C-2096A | 95.50 | 1,511 | 2,380 | 84% | 0.64 | 2 @ 1/5 | 84 |
| PE06-C-2108A | 107.00 | 1,496 | 2,639 | 84% | 0.64 | 2 @ 1/5 | 91 |
| PE06-C-2120A | 118.50 | 1,483 | 2,898 | 84% | 0.64 | 2 @ 1/5 | 98 |

NOTE: Operation at 50 Hz will generate approximately a 17% reduction in air performance.

See sheet EP-014 for amp draws/total load requirements.

MODEL NUMBER CONFIGURATION

PE06-C-1 025 A A-R-SS



for Standard offering, leave options (Opt.) blank
make sure to specify Cabinet Finish if other than white

| VELOCITY PROFILE: Model PE06-C-1036A | | | |
|--------------------------------------|------|------|-----|
| Distance from Nozzle (in) | 24 | 48 | 72 |
| Core Velocity (fpm) | 1738 | 1231 | 967 |
| Uniformity (%) | 82 | 82 | 84 |

A velocity of 600 feet per minute (fpm) at the counter required to meet NSF 37 for pass-thru windows.

Sound level measured 10' (3m) from the unit in free field:

1 motor: Low/High Speed: 53/54 dBA

2 motors: Low/High Speed: 56/57 dBA

Berner reserves the right to alter specifications without prior notice.



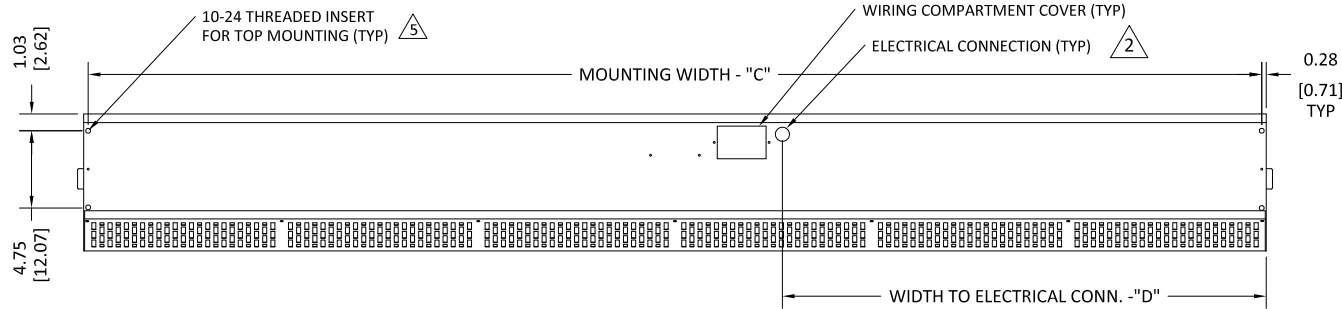
PASS-THRU UNIT 6 - Model# PE06
Ambient (Unheated) Air Curtain
Electrical Performance Sheet

| MODEL | # CKTS | 120/1/60 (voltage code A) MOTOR AMP DRAW = 3.4 each | | # CKTS | 208/1/60 (voltage code B) MOTOR AMP DRAW = 1.7 each | | # CKTS | 240/1/60 (voltage code J) or 220/1/50 (voltage code V) MOTOR AMP DRAW = 1.7 each | |
|--|--------|--|----------------------------|--------|--|----------------------------|--------|--|----------------------------|
| | | AMPS PER CIRCUIT | BREAKER RATING PER CIRCUIT | | AMPS PER CIRCUIT | BREAKER RATING PER CIRCUIT | | AMPS PER CIRCUIT | BREAKER RATING PER CIRCUIT |
| PE06-C-1025A PE06-C-1030A PE06-C-1036A PE06-C-1042A PE06-C-1048A PE06-C-1060A PE06-C-1072A | 1 | 3.4 | 15 | 1 | 1.7 | 15 | 1 | 1.7 | 15 |
| PE06-C-2084A PE06-C-2096A PE06-C-2108A PE06-C-2120A | 1 | 6.8 | 15 | 1 | 3.4 | 15 | 1 | 3.4 | 15 |

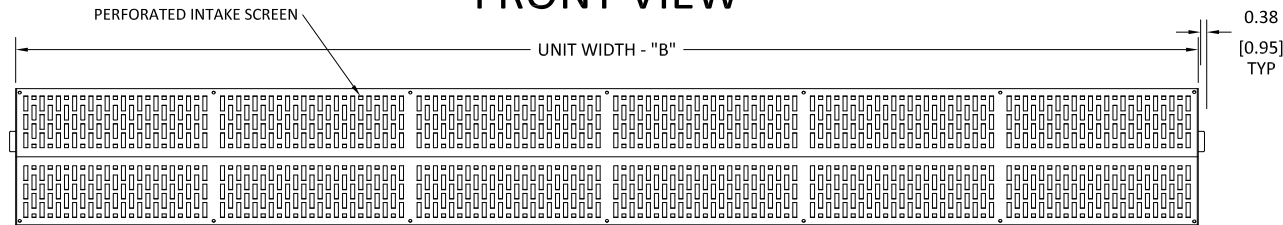
Berner reserves the right to alter specifications without prior notice.

PE06-C AMBIENT (UNHEATED) SYSTEM

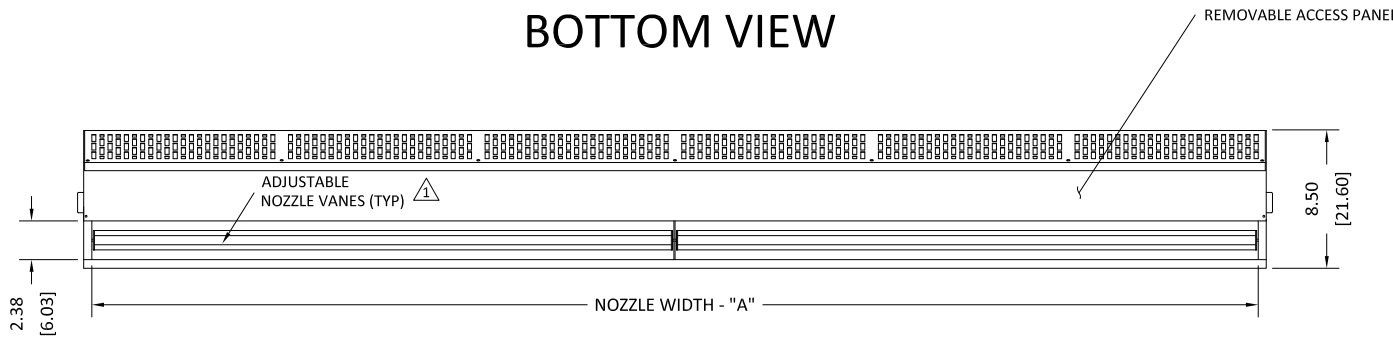
TOP VIEW



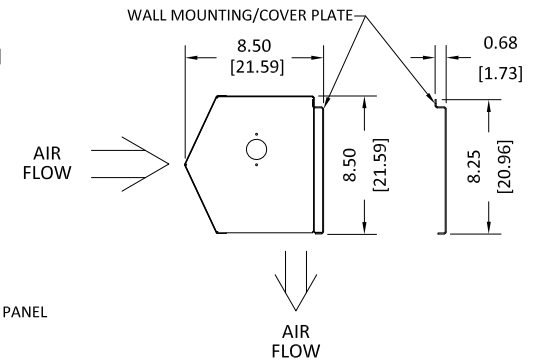
FRONT VIEW



BOTTOM VIEW



END VIEW



NOTES:

- 1 AIR CURTAIN MUST BE INSTALLED SO AIR STREAM IS NOT OBSTRUCTED WHEN DEFLECTED 20° TO EITHER SIDE OF C_c .
- 2 ELECTRICAL CONNECTIONS TO BE FLEXIBLE.
- 3 FIELD VERIFY DIMENSIONS.
- 4 ANCHORS TO SUPPORTING STRUCTURE BY OTHERS.
- 5 ADEQUACY OF SUPPORTING STRUCTURE IS TO BE VERIFIED BY A PROFESSIONAL STRUCTURAL ENGINEER.
- 6 LETTER "A" IN MODEL NUMBER DESIGNATES AMBIENT (UNHEATED) UNIT.
- 7 DIMENSIONS IN INCHES [CENTIMETERS].

| MODEL ⁶ | NOZZLE WIDTH "A" | UNIT WIDTH "B" | MOUNTING WIDTH "C" | WIDTH TO ELEC. CONN. "D" |
|--------------------|------------------|-----------------|--------------------|--------------------------|
| PE06-C-1025A | 23.60 [59.94] | 25.06 [63.65] | 24.50 [62.23] | 3.89 [9.88] |
| PE06-C-1030A | 27.44 [69.69] | 28.88 [73.35] | 28.32 [71.93] | 15.30 [38.86] |
| PE06-C-1036A | 34.62 [87.95] | 36.06 [91.60] | 35.50 [90.17] | 9.40 [23.88] |
| PE06-C-1042A | 40.62 [103.17] | 42.06 [106.83] | 41.50 [105.41] | 15.40 [39.12] |
| PE06-C-1048A | 46.62 [118.41] | 48.06 [122.07] | 47.50 [120.65] | 15.40 [39.12] |
| PE06-C-1060A | 58.13 [147.65] | 59.55 [151.26] | 59.00 [149.86] | 21.15 [53.71] |
| PE06-C-1072A | 71.37 [181.28] | 72.81 [184.94] | 72.25 [183.52] | 27.77 [70.54] |
| PE06-C-2084A | 83.50 [212.09] | 84.94 [215.74] | 84.38 [214.31] | 9.40 [23.86] |
| PE06-C-2096A | 95.50 [242.57] | 96.94 [246.23] | 96.38 [244.79] | 15.19 [38.58] |
| PE06-C-2108A | 107.00 [271.78] | 108.44 [275.44] | 107.88 [274.00] | 15.40 [39.12] |
| PE06-C-2120A | 118.50 [300.99] | 119.94 [304.65] | 119.38 [303.21] | 21.15 [53.72] |

| | | | |
|-----------|-----------|--------|--|
| PROJECT | | TITLE: | BERNER MODEL PE06-C AIR CURTAIN AMBIENT (UNHEATED) SYSTEM (OUTDOOR) |
| LOCATION | | | |
| ARCHITECT | | | |
| ENGINEER | | | |
| DWG. NO. | PE06-C-A | | |
| DATE | 11AUG2021 | | |
| BY | S. Beil | | |
| REPLACES | - | | |
| BY | - | | |
| | | | BERNER INTERNATIONAL CORP. NEW CASTLE, PA. |