



# INDUSTRIAL DIRECT DRIVE 20

## Direct Gas Heated Air Curtain

### Data Sheet

For Mounting Heights To 20' (environmental separation)

#### STANDARD CONSTRUCTION

- Single speed T.E.A.O. motor(s) - direct drive
- Gray powder coated exterior (Optional: Custom Color or Stainless)
- Split cabinet construction for fan assembly removal
- Top Mounting only
- Front air intake (Optional: top)
- High efficiency Pro-V Nozzle
- Factory mounted duct transition with bottom access panels
- Factory mounted modulating direct fired heater with FM/IRI gas train
  - Factory mounted wired heater control panel
  - Steel cabinet with gray finish
  - Spark ignited intermittent pilot

**2 Year  
Limited  
Warranty**



MODEL	Nozzle Width (in)	Max Vel. at Nozzle (fpm)	Avg. Outlet Vel. (fpm)	Air Volume (cfm)	Outlet Vel. Uniformity	Power Rating (kW)	Motor(s) @ hp	Heater Output (MBH)	Gas Train Size	Max Air Temp. Rise (°F)	Net Wt. Air Curtain (lbs)	Net Wt. Duct Trans. (lbs)	Net Wt. Burner Box (lbs)
IDC20-1060D	60.00	6,580	3,870	6,854	89%	4.70	1 @ 5	321.5	3/4"	40°	390	82	220
IDC20-1072D	72.00	6,549	3,852	8,186	89%	4.90	1 @ 5	356.0	3/4"	40°	435	97	260
IDC20-1084D	84.00	6,076	3,574	8,861	87%	4.90	1 @ 5	384.6	3/4"	40°	480	106	260
IDC20-1096D	96.00	6,900	4,059	11,500	92%	6.80	1 @ 7½	499.0	3/4"	40°	600	115	300
IDC20-1108D	108.00	6,747	3,969	12,650	90%	6.90	1 @ 7½	549.3	3/4"	40°	680	125	340
IDC20-1120D	117.00	7,494	4,523	15,612	88%	8.70	1 @ 10	677.5	3/4"	40°	750	130	380
IDC20-1132D	132.00	7,017	4,127	16,080	87%	8.90	1 @ 10	698.2	3/4"	40°	795	143	420
IDC20-1144D	144.00	7,640	4,381	19,100	87%	11.70	1 @ 15	829.4	1"	40°	835	152	470
IDC20-1156D	156.00	7,405	4,356	20,055	86%	11.90	1 @ 15	870.8	1"	40°	940	163	500
IDC20-1168D	168.00	7,783	4,323	22,700	90%	12.80	1 @ 15	985.2	1"	40°	1,025	177	500
IDC20-1180D	180.00	7,300	4,294	22,814	91%	12.90	1 @ 15	990.1	1"	40°	1,070	192	500
IDC20-2192D	192.00	6,900	4,059	23,000	92%	13.60	2 @ 7½	998.0	1"	40°	1,190	207	500

#### NOTES:

1. Operation at 50 Hz will generate approximately a 17% reduction in performance.
2. Performance data based on AMCA licensed data from unheated units.
3. Maximum leaving air temperature shall not exceed 120°F.
4. Duct transition and direct fired gas heater are factory mounted to air curtain and each require individual support.
5. Gas supply pressure: minimum 1 psi, maximum 5 psi.
6. Vertically mounted direct gas heated air curtain not available.
7. Gas train size is not the main gas supply line size.

See sheet EP-449 for amp draws/total load requirements.

### MODEL NUMBER CONFIGURATION

**IDC20-1 060 D D-F SS**

Series	# of Motors	Opening Width	Heat	Voltage	Intake	Opt. Cabinet Finish
IDC20	1, 2	060" - 192"	D=Direct Gas Heated	D=208/3/60 E=240/3/60 H=480/3/60 I=600/3/60 T=380/3/50	T=Top F=Front	SS=Stainless Steel CC=Custom Color

Sound level measured 10' (3m) from the unit in free field:  
3, 5, 7½, (5 + 3) & (5 + 5) hp motor(s):  
68 dBA, 70 dBA, 71 dBA, 72 dBA & 73 dBA

Berner reserves the right to alter specifications without prior notice.



# INDUSTRIAL DIRECT DRIVE 20

Direct Gas Heated Air Curtain  
Electrical Performance Sheet

MODEL	Qty @ HP	# CKTS	208/3/60 (voltage code D) TOTAL MOTOR AMP DRAW		# CKTS	240/3/60 (voltage code E) TOTAL MOTOR AMP DRAW		# CKTS	480/3/60 (voltage code H) TOTAL MOTOR AMP DRAW	
			AMPS PER CIRCUIT	BREAKER RATING PER CIRCUIT		AMPS PER CIRCUIT	BREAKER RATING PER CIRCUIT		AMPS PER CIRCUIT	BREAKER RATING PER CIRCUIT
IDC20-1060D IDC20-1072D IDC20-1084D	1 @ 5	1	20.6	35	1	18.9	35	1	9.5	20
IDC20-1096D IDC20-1108D	1 @ 7.5	1	26.6	50	1	25.1	45	1	12.6	25
IDC20-1120D IDC20-1132D	1 @ 10	1	35.1	60	1	33.7	60	1	16.9	30
IDC20-1144D IDC20-1156D IDC20-1168D IDC20-1180D	1 @ 15	1	49.6	100	1	47.1	100	1	23.6	45
IDC20-2192D	2 @ 7.5	1	49.6	70	1	47.1	70	1	23.6	35

MODEL	Qty @ HP	# CKTS	600/3/60 (voltage code I) TOTAL MOTOR AMP DRAW		# CKTS	380/3/50 (voltage code T) TOTAL MOTOR AMP DRAW	
			AMPS PER CIRCUIT	BREAKER RATING PER CIRCUIT		AMPS PER CIRCUIT	BREAKER RATING PER CIRCUIT
IDC20-1060D IDC20-1072D IDC20-1084D	1 @ 5	1	7.6	15	1	9.7	20
IDC20-1096D IDC20-1108D	1 @ 7.5	1	9.8	20	1	11.0	20
IDC20-1120D IDC20-1132D	1 @ 10	1	13.0	25	1	14.5	25
IDC20-1144D IDC20-1156D IDC20-1168D IDC20-1180D	1 @ 15	1	18.8	35	1	20.0	40
IDC20-2192D	2 @ 7.5	1	18.3	30	1	20.0	40

\* Includes 750VA transformer load for gas fired burner panel.

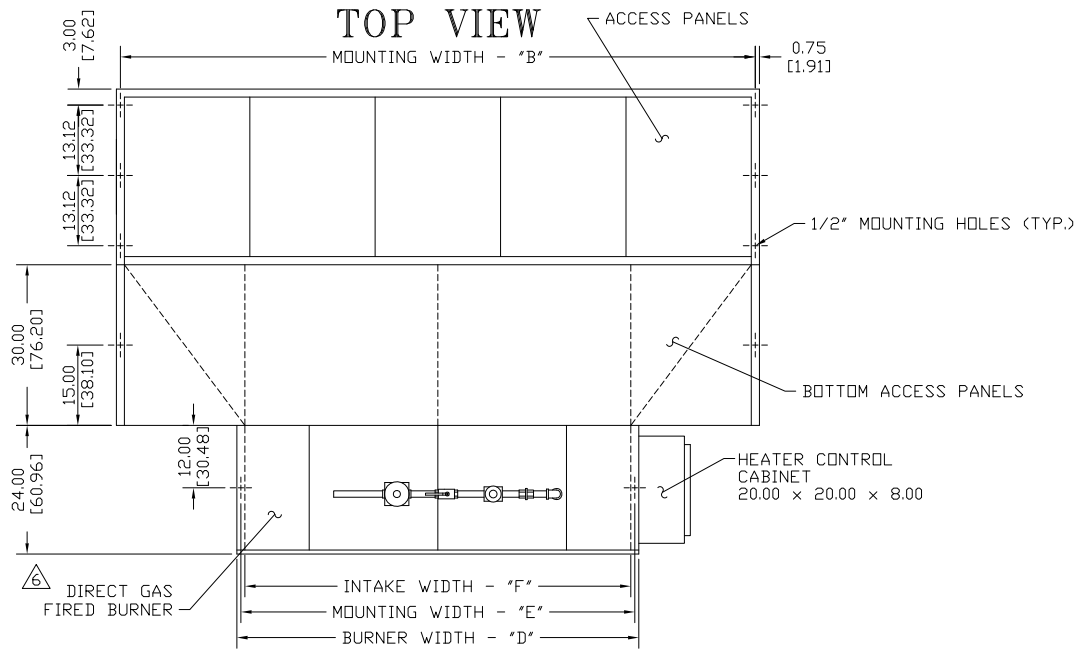
Berner reserves the right to alter specifications without prior notice.

**www.berner.com Berner International 800.245-4455**  
111 Progress Ave. / New Castle / PA / 16101 / USA

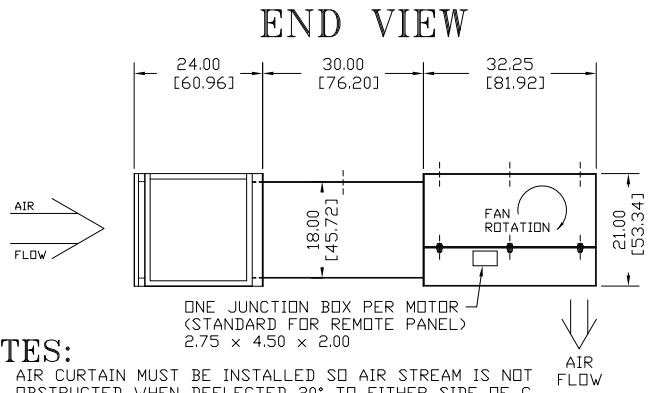
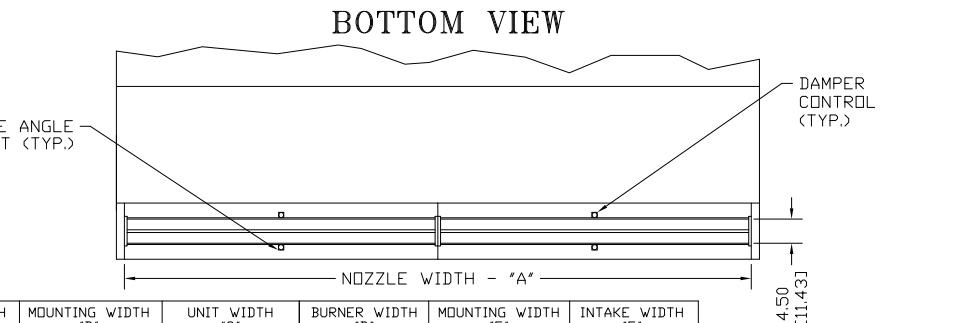
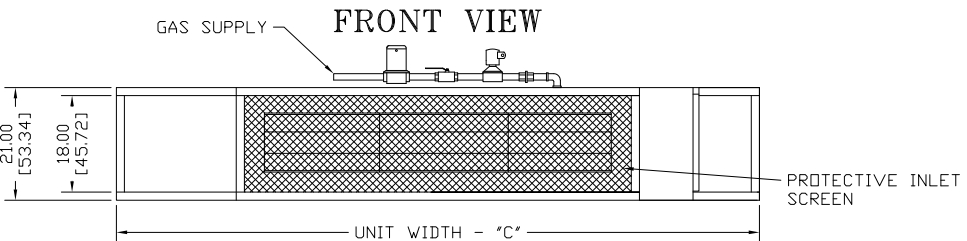
EP-449  
December, 2018

# IDC20

## DIRECT GAS FIRED ONE HEATER SYSTEM FRONT INTAKE



**CAUTION:**  
HEATER IS EQUIPPED FOR A MAXIMUM GAS SUPPLY PRESSURE OF 1# TO 5#.



- NOTES:**
- ① AIR CURTAIN MUST BE INSTALLED SO AIR STREAM IS NOT OBSTRUCTED WHEN DEFLECTED 20° TO EITHER SIDE OF C.
  - ② ELECTRICAL CONNECTIONS TO BE FLEXIBLE.
  - ③ FIELD VERIFY DIMENSIONS.
  - ④ ANCHORS TO SUPPORTING STRUCTURE BY OTHERS.
  - ⑤ ADEQUACY OF SUPPORTING STRUCTURE IS TO BE VERIFIED BY A PROFESSIONAL STRUCTURAL ENGINEER.
  - ⑥ LETTER "D" IN MODEL NUMBER DESIGNATES, DIRECT GAS HEATED UNIT. "F" DESIGNATES FRONT INTAKE, "T" IS TOP MOTOR.
  - ⑦ SUPPORT DIRECT GAS HEATERS SEPARATELY FROM UNIT.
  - ⑧ DIMENSIONS IN INCHES [CENTIMETERS].

MODEL	NOZZLE WIDTH "A"	MOUNTING WIDTH "B"	UNIT WIDTH "C"	BURNER WIDTH "D"	MOUNTING WIDTH "E"	INTAKE WIDTH "F"
IDC20-1060D-F	60.00 [152.40]	61.50 [156.21]	63.00 [160.02]	39.00 [99.06]	37.50 [95.25]	36.00 [91.44]
IDC20-1072D-F	72.00 [182.88]	73.50 [186.69]	75.00 [190.50]	51.00 [129.54]	49.50 [125.73]	48.00 [121.92]
IDC20-1084D-F	84.00 [213.36]	85.50 [217.17]	87.00 [220.98]	51.00 [129.54]	49.50 [125.73]	48.00 [121.92]
IDC20-1096D-F	96.00 [243.84]	97.50 [247.65]	99.00 [251.46]	63.00 [160.02]	61.50 [156.21]	60.00 [152.40]
IDC20-1108D-F	108.00 [274.32]	109.50 [278.13]	111.00 [281.94]	75.00 [190.50]	73.50 [186.69]	72.00 [182.88]
IDC20-1120D-F	117.00 [297.18]	118.50 [300.99]	120.00 [304.80]	87.00 [220.98]	85.50 [217.17]	84.00 [213.36]
IDC20-1132D-F	132.00 [335.28]	133.50 [339.09]	135.00 [342.90]	99.00 [251.46]	97.50 [247.65]	96.00 [243.84]
IDC20-1144D-F	144.00 [365.76]	145.50 [369.57]	147.00 [373.38]	111.00 [281.94]	109.50 [278.13]	108.00 [274.32]
IDC20-1156D-F	156.00 [396.24]	157.50 [400.05]	159.00 [403.86]	120.00 [304.80]	118.50 [300.99]	117.00 [297.18]
IDC20-1168D-F	168.00 [426.72]	169.50 [430.53]	171.00 [434.34]	120.00 [304.80]	118.50 [300.99]	117.00 [297.18]
IDC20-1180D-F	180.00 [457.20]	181.50 [461.01]	183.00 [464.82]	120.00 [304.80]	118.50 [300.99]	117.00 [297.18]
IDC20-2192D-F	192.00 [487.68]	193.50 [491.49]	195.00 [495.30]	120.00 [304.80]	118.50 [300.99]	117.00 [297.18]

PROJECT		
LOCATION		
ARCHITECT		
ENGINEER		
DWG. NO.	IDC20-DGF1	TITLE: <b>BERNER</b>
DATE	04APR2021	MODEL IDC20 AIR CURTAIN
BY	S. BEIL	DIRECT GAS FIRED - ONE HEATER SYSTEM
REPLACES	03DEC19	
BY	N. GRADY	BERNER INTERNATIONAL CORP. NEW CASTLE, PA.