



# INDUSTRIAL DIRECT DRIVE 16

## Electric Heated Air Curtain

### Data Sheet

For Mounting Heights To 16' (environmental separation)

#### STANDARD CONSTRUCTION

- Single speed T.E.A.O. motor(s) - direct drive
- Gray powder coated exterior (Optional: Custom Color or Stainless)
- Split cabinet construction for fan assembly removal
- Top Mounting only
- Front air intake only
- High efficiency Pro-V Nozzle

- Open helical element with point suspension
  - Thermal overload protection
  - Galvanized steel frame
- Factory mounted heater control panel(s)
- Alternate kW: Consult Factory

**2 Year  
Limited  
Warranty**



MODEL	Nozzle Width (in)	Max Vel. at Nozzle (fpm)	Avg. Outlet Vel. (fpm)	Air Volume (cfm)	Outlet Vel. Uniformity	Power Rating (kW)	Motor(s) @ hp	Electric Capacity (kW)	Heater Output (MBH)	Air Temp. Rise (°F)	Net Wt. (lbs)
IDC16-1060E	60.00	5,145	3,302	5,359	85%	2.80	1 @ 3	43.0	146.8	25°	490
IDC16-1072E	72.00	5,005	2,944	6,256	91%	2.90	1 @ 3	50.0	170.7	25°	555
IDC16-1084E	84.00	4,644	2,732	6,772	89%	3.00	1 @ 3	56.0	191.1	26°	620
IDC16-1096E	96.00	5,352	3,148	8,920	87%	4.10	1 @ 5	71.0	242.3	25°	745
IDC16-1108E	108.00	5,236	3,080	9,817	86%	4.20	1 @ 5	71.0	242.3	23°	810
IDC16-1120E	117.00	6,012	3,627	12,526	87%	4.80	1 @ 7.5	100.0	341.3	25°	940
IDC16-1132E	132.00	5,602	3,296	12,839	86%	4.90	1 @ 7.5	2 @ 52.0	355.0	25°	1,005
IDC16-1144E	144.00	5,225	3,074	13,062	85%	5.40	1 @ 7.5	2 @ 52.0	355.0	25°	1,080
IDC16-1156E	156.00	4,943	2,908	13,388	84%	5.50	1 @ 7.5	2 @ 55.0	375.4	26°	1,145
IDC16-2168E	168.00	5,203	3,061	15,176	89%	7.00	1 @ 5, 1 @ 3	2 @ 60.5	413.0	25°	1,285
IDC16-2180E	180.00	5,143	3,026	16,073	87%	7.10	1 @ 5, 1 @ 3	2 @ 65.0	443.7	25°	1,405
IDC16-2192E	192.00	5,352	3,148	17,840	87%	8.20	2 @ 5	2 @ 71.0	484.6	25°	1,470

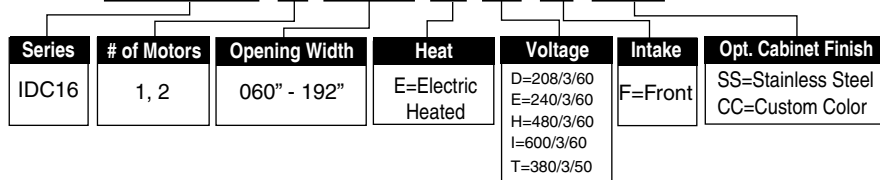
#### NOTES:

1. Operation at 50 Hz will generate approximately a 17% reduction in performance.
2. Performance data based on AMCA licensed data from unheated units.
3. Maximum leaving air temperature shall not exceed 120°F.
4. Consult factory for vertically mounted units.

See sheet EP-422 for heater amp draws/total load requirements.

### MODEL NUMBER CONFIGURATION

**IDC16-1 060 E D-F-SS**



Sound level measured 10' (3m) from the unit in free field:  
3, 5, 7½, (5 + 3) & (5 + 5) hp motor(s):  
68 dBA, 70 dBA, 71 dBA, 72 dBA & 73 dBA

Berner reserves the right to alter specifications without prior notice.

**www.berner.com Berner International 800.245.4455**  
111 Progress Ave. / New Castle / PA / 16101 / USA

DS-422  
June, 2016



# INDUSTRIAL DIRECT DRIVE 16

## Electric Heated Air Curtain

### Electrical Performance Sheet

MODEL	kW (code)	Temp Rise °F	Qty @ HP	# CKTS	208/3/60 (voltage code D) MOTOR AMP DRAW PER HP					240/3/60 (voltage code E) MOTOR AMP DRAW PER HP					
					SEPARATE MOTOR & HEATER(S) PANEL		MOTOR CONTROL WITHIN HTR PANEL			SEPARATE MOTOR & HEATER(S) PANEL		MOTOR CONTROL WITHIN HTR PANEL			
					AMPS PER CIRCUIT	BREAKER RATING PER CIRCUIT	# CKTS	AMPS PER CIRCUIT (including motor)	BREAKER RATING PER CIRCUIT	AMPS PER CIRCUIT	BREAKER RATING PER CIRCUIT	# CKTS	AMPS PER CIRCUIT (including motor)	BREAKER RATING PER CIRCUIT	
IDC16-1060E	43 (0430)	25	1 @ 3	2	13.1/119.1	25/150	1	132.5	175	2	12.2/103.4	25/150	1	115.6	150
IDC16-1072E	50 (0500)	25	1 @ 3	2	13.1/138.8	25/175	1	151.9	200	2	12.2/120.3	25/150	1	132.5	175
IDC16-1084E	56 (0560)	26	1 @ 3	2	13.1/155.4	25/200	1	168.5	225	2	12.2/134.7	25/175	1	146.9	200
IDC16-1096E	71 (0710)	25	1 @ 5	2	17.0/197.1	35/250	1	214.1	300	2	15.8/170.8	35/225	1	186.6	250
IDC16-1108E	71 (0710)	23	1 @ 5	2	17.0/197.1	35/250	1	214.1	300	2	15.8/170.8	35/225	1	186.6	250
IDC16-1120E	100 (1000)	25	1 @ 7.5	2	23.0/277.6	50/350	1	300.6	400	2	22.0/240.6	45/300	1	262.6	350
IDC16-1132E	2 @ 52 1040	25	1 @ 7.5	3	23.0/144.3/144.3	50/200/200	2	167.3/144.3	225/200	3	22.0/125.1/125.1	45/175/175	2	147.1/125.1	200/175
IDC16-1144E	2 @ 52 (1040)	25	1 @ 7.5	3	23.0/144.3/144.3	50/200/200	2	167.3/144.3	225/200	3	22.0/125.1/125.1	45/175/175	2	147.1/125.1	200/175
IDC16-1156E	2 @ 55 (1100)	26	1 @ 7.5	3	23.0/152.7/152.7	50/200/200	2	175.7/152.7	225/200	3	22.0/132.3/132.3	45/175/175	2	154.3/132.3	200/175
IDC16-2168E	2 @ 60.5 (1210)	25	1 @ 3 1 @ 5	3	30.1/167.9/167.9	50/225/225	2	198.0/167.9	250/225	3	28.0/145.5/145.5	60/200/200	2	173.5/145.5	225/200
IDC16-2180E	2 @ 65 (1300)	25	1 @ 3 1 @ 5	3	30.1/180.4/180.4	50/225/225	2	210.5/180.4	300/250	3	28.0/156.4/156.4	60/200/200	2	184.4/156.4	250/200
IDC16-2192E	2 @ 71 (1420)	25	2 @ 5	3	34.0/197.1/197.1	60/350/350	2	231.1/197.1	300/250	3	31.6/170.8/170.8	60/250/250	2	202.4/170.8	300/225



# INDUSTRIAL DIRECT DRIVE 16

## Electric Heated Air Curtain Electrical Performance Sheet

MODEL	kW (code)	Temp Rise °F	Qty @ HP	# CKTS	480/3/60 (voltage code H) MOTOR AMP DRAW PER HP					600/3/60 (voltage code I) MOTOR AMP DRAW PER HP					
					SEPARATE MOTOR & HEATER(S) PANEL		MOTOR CONTROL WITHIN HTR PANEL			SEPARATE MOTOR & HEATER(S) PANEL		MOTOR CONTROL WITHIN HTR PANEL			
					#	AMPS PER CIRCUIT	BREAKER RATING PER CIRCUIT	#	AMPS PER CIRCUIT (including motor)	BREAKER RATING PER CIRCUIT	#	AMPS PER CIRCUIT	BREAKER RATING PER CIRCUIT	#	AMPS PER CIRCUIT (including motor)
IDC16-1060E	43 (0430)	25	1 @ 3	2	6.1/51.7	15/70	1	57.8	100	2	3.9/41.4	15/60	1	45.3	60
IDC16-1072E	50 (0500)	25	1 @ 3	2	6.1/60.1	15/100	1	66.2	100	2	3.9/48.1	15/70	1	52.0	70
IDC16-1084E	56 (0560)	26	1 @ 3	2	6.1/67.4	15/100	1	73.5	100	2	3.9/53.9	15/70	1	57.8	100
IDC16-1096E	71 (0710)	25	1 @ 5	2	7.9/85.4	20/125	1	93.3	125	2	6.3/68.3	15/100	1	74.6	100
IDC16-1108E	71 (0710)	23	1 @ 5	2	7.9/85.4	20/125	1	93.3	125	2	6.3/68.3	15/100	1	74.6	100
IDC16-1120E	100 (1000)	25	1 @ 7.5	2	11.0/120.3	25/150	1	131.3	175	2	8.5/96.2	20/125	1	104.7	150
IDC16-1132E	2 @ 52 (1040)	25	1 @ 7.5	3	11.0/62.5/62.5	25/100/100	2	73.5/62.5	100/100	3	8.5/50.0/50.0	20/70/70	2	58.5/50.0	100/70
IDC16-1144E	2 @ 52 (1040)	25	1 @ 7.5	3	11.0/62.5/62.5	25/100/100	2	73.5/62.5	100/100	3	8.5/50.0/50.0	20/70/70	2	58.5/50.0	100/70
IDC16-1156E	2 @ 55 (1100)	26	1 @ 7.5	3	11.0/66.2/66.2	25/100/100	2	77.2/66.2	100/100	3	8.5/52.9/52.9	20/70/70	2	61.4/52.9	100/70
IDC16-2168E	2 @ 60.5 (1210)	25	1 @ 3 1 @ 5	3	14.0/72.8/72.8	25/100/100	2	86.8/72.8	125/100	3	12.4/58.2/58.2	20/100/100	2	70.6/58.2	100/100
IDC16-2180E	2 @ 65 (1300)	25	1 @ 3 1 @ 5	3	14.0/78.2/78.2	25/100/100	2	92.2/78.2	125/100	3	12.4/62.5/62.5	20/100/100	2	74.9/62.5	100/100
IDC16-2192E	2 @ 71 (1420)	25	2 @ 5	3	15.8/85.4/85.4	25/125/125	2	101.2/85.4	150/125	3	12.6/68.3/68.3	20/100/100	2	80.9/68.3	125/100

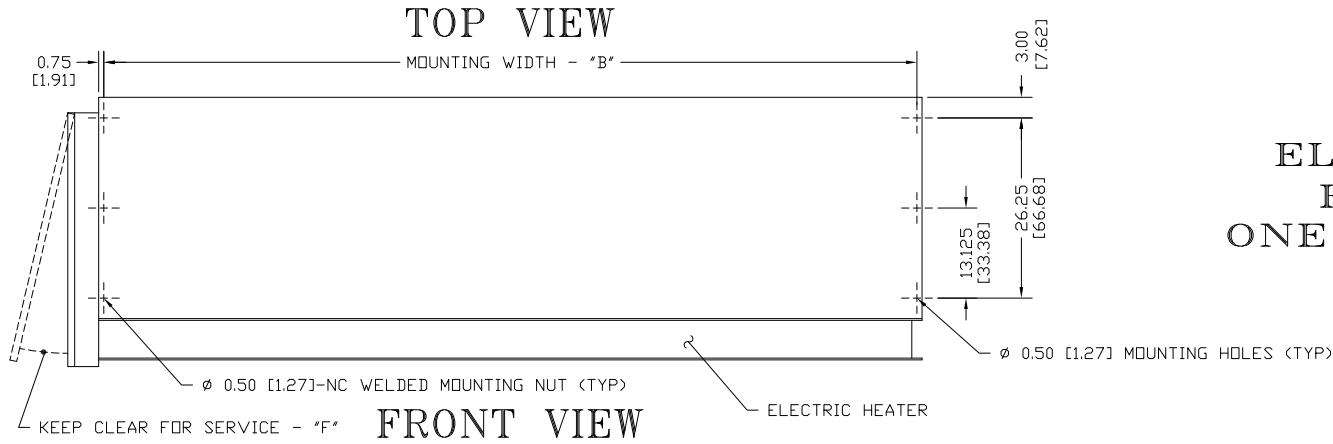


**INDUSTRIAL DIRECT DRIVE 16**  
**Electric Heated Air Curtain**  
**Electrical Performance Sheet**

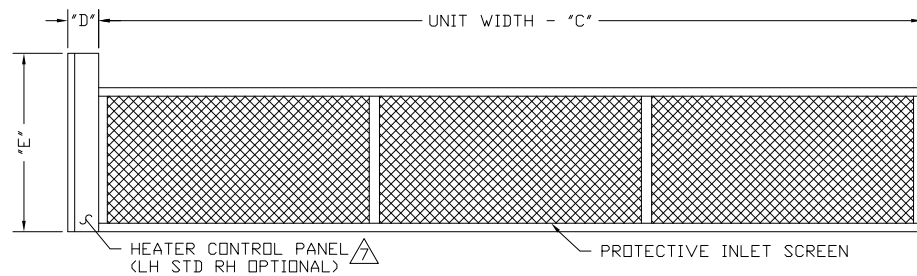
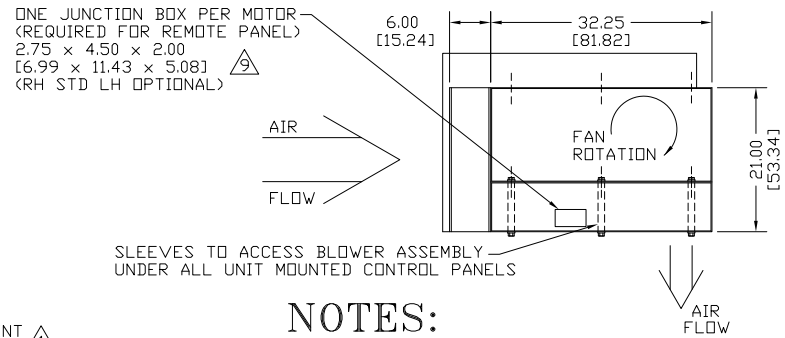
380/3/50 (voltage code T)									
MOTOR AMP DRAW PER HP									
				SEPARATE MOTOR & HEATER(S) PANEL			MOTOR CONTROL WITHIN HTR PANEL		
MODEL	kW (code)	Temp Rise °F	Qty @ HP	# CKTS	AMPS PER CIRCUIT	BREAKER RATING PER CIRCUIT	# CKTS	AMPS PER CIRCUIT (including motor)	BREAKER RATING PER CIRCUIT
IDC16-1060E	43 (0430)	25	1 @ 3	2	5.9/65.3	15/90	1	71.2	90
IDC16-1072E	50 (0500)	25	1 @ 3	2	5.9/76.0	15/100	1	81.9	125
IDC16-1084E	56 (0560)	26	1 @ 3	2	5.9/85.1	15/125	1	91.0	125
IDC16-1096E	71 (0710)	25	1 @ 5	2	7.7/107.9	20/150	1	115.6	150
IDC16-1108E	71 (0710)	23	1 @ 5	2	7.7/107.9	20/150	1	115.6	150
IDC16-1120E	100 (1000)	25	1 @ 7.5	2	9.0/151.9	20/200	1	160.9	225
IDC16-1132E	2 @ 52 (1040)	25	1 @ 7.5	3	9.0/79.0/79.0	20/100/100	2	88.0/79.0	125/100
IDC16-1144E	2 @ 52 (1040)	25	1 @ 7.5	3	9.0/79.0/79.0	20/100/100	2	88.0/79.0	125/100
IDC16-1156E	2 @ 55 (1100)	26	1 @ 7.5	3	9.0/83.6/83.6	20/125/125	2	92.6/83.6	125/125
IDC16-2168E	2 @ 60.5 (1210)	25	1 @ 3 1 @ 5	3	13.6/91.9/91.9	20/125/125	2	105.5/91.9	150/125
IDC16-2180E	2 @ 65 (1300)	25	1 @ 3 1 @ 5	3	13.6/98.8/98.8	20/125/125	2	112.4/98.8	150/125
IDC16-2192E	2 @ 71 (1420)	25	2 @ 5	3	15.4/107.9/107.9	25/150/150	2	123.3/107.9	175/150

Berner reserves the right to alter specifications without prior notice.

# IDC16 ELECTRIC HEATED FRONT INTAKE ONE HEATER SYSTEM



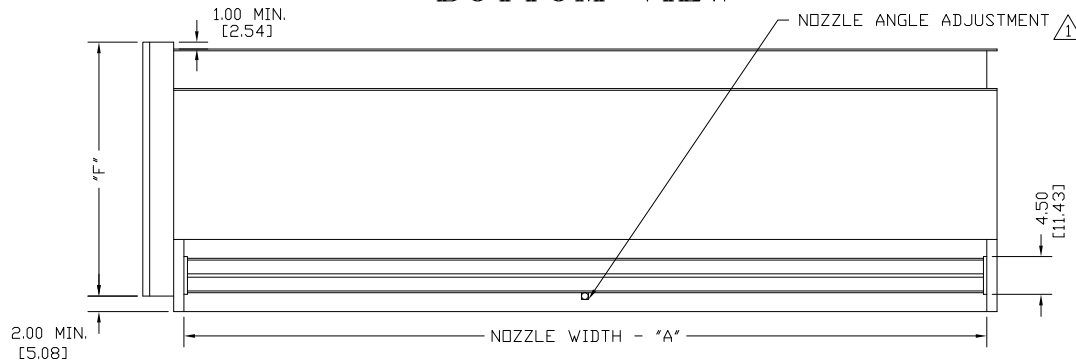
## END VIEW



## BOTTOM VIEW

## NOTES:

- 1 AIR CURTAIN MUST BE INSTALLED SO AIR STREAM IS NOT OBSTRUCTED WHEN DEFLECTED 20° TO EITHER SIDE OF C.
- 2 ELECTRICAL CONNECTIONS TO BE FLEXIBLE.
- 3 FIELD VERIFY DIMENSIONS.
- 4 ANCHORS TO SUPPORTING STRUCTURE BY OTHERS.
- 5 ADEQUACY OF SUPPORTING STRUCTURE IS TO BE VERIFIED BY A PROFESSIONAL STRUCTURAL ENGINEER.
- 6 LETTER 'E' IN MODEL NUMBER DESIGNATES, ELECTRIC HEATED UNIT. THE 'F' DESIGNATES FRONT INTAKE.
- 7 HEATER CONTROL PANEL SHOWN LEFT HAND, RIGHT HAND AVAILABLE, PLEASE SPECIFY.
- 8 HEATER CONTROL PANEL INCLUDES POWER FUSING, AIR FLOW SWITCH, AND CONTROL CIRCUIT TRANSFORMER.
- 9 TO INCLUDE MOTOR STARTER IN HEATER CONTROL PANEL REFER TO DRAWING IDC16-ELE1X.
- 10 DIMENSIONS IN INCHES (CENTIMETERS).

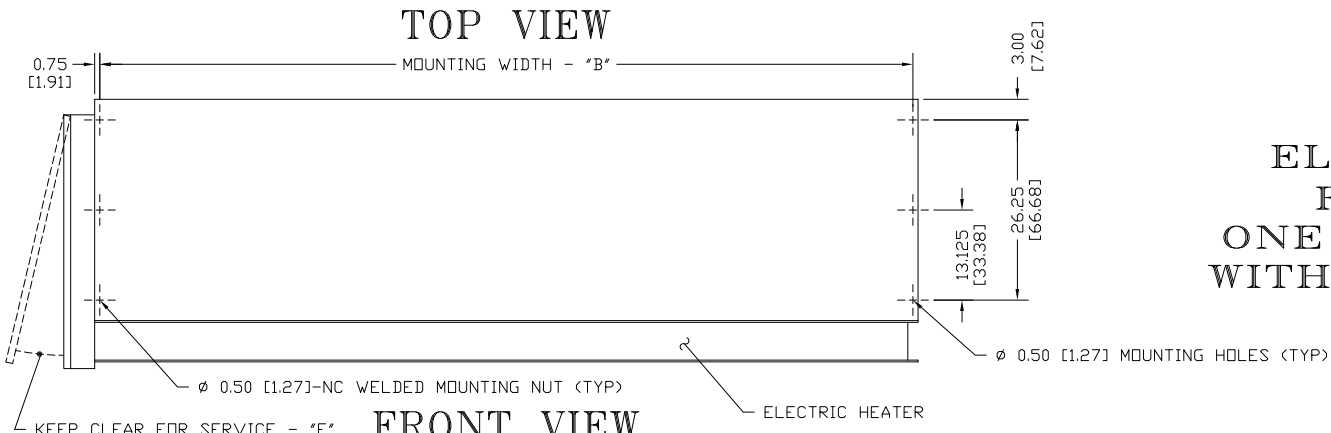


MODEL	NOZZLE WIDTH "A"	MOUNTING WIDTH "B"	UNIT WIDTH "C"	HEATER CAPACITY (KW)	HEATER CONTROL PANEL DIMENSIONS BASED ON VOLTAGE											
					"D"				"E"				"F"			
					208V	230V	460V	575V	208V	230V	460V	575V	208V	230V	460V	575V
IDC16-1060E-F	60.00 [152.40]	61.50 [156.21]	63.00 [160.02]	43	6.00 [15.24]	6.00 [15.24]	4.50 [11.43]	4.50 [11.43]	23.50 [59.69]	23.50 [59.69]	23.50 [59.69]	23.50 [59.69]	34.00 [86.36]	29.00 [73.66]	26.00 [66.04]	26.00 [66.04]
IDC16-1072E-F	72.00 [182.88]	73.50 [186.69]	75.00 [190.50]	50	6.00 [15.24]	6.00 [15.24]	4.50 [11.43]	4.50 [11.43]	23.50 [59.69]	23.50 [59.69]	23.50 [59.69]	23.50 [59.69]	34.00 [86.36]	29.00 [73.66]	26.00 [66.04]	26.00 [66.04]
IDC16-1084E-F	84.00 [213.36]	85.50 [217.17]	87.00 [220.98]	56	6.00 [15.24]	6.00 [15.24]	4.50 [11.43]	4.50 [11.43]	23.50 [59.69]	23.50 [59.69]	23.50 [59.69]	23.50 [59.69]	35.00 [88.90]	29.00 [73.66]	26.00 [66.04]	26.00 [66.04]
IDC16-1096E-F	96.00 [243.84]	97.50 [247.65]	99.00 [251.46]	71	6.00 [15.24]	6.00 [15.24]	4.50 [11.43]	4.50 [11.43]	27.00 [68.58]	23.50 [59.69]	23.50 [59.69]	23.50 [59.69]	39.00 [99.06]	35.00 [88.90]	26.00 [66.04]	26.00 [66.04]
IDC16-1108E-F	108.00 [274.32]	109.50 [278.13]	111.00 [281.94]	71	6.00 [15.24]	6.00 [15.24]	4.50 [11.43]	4.50 [11.43]	27.00 [68.58]	23.50 [59.69]	23.50 [59.69]	23.50 [59.69]	39.00 [99.06]	35.00 [88.90]	26.00 [66.04]	26.00 [66.04]
IDC16-1120E-F	117.00 [297.18]	118.50 [300.99]	120.00 [304.80]	100	8.50 [20.32]	8.50 [20.32]	6.00 [15.24]	6.00 [15.24]	27.00 [68.58]	27.00 [68.58]	23.50 [59.69]	23.50 [59.69]	44.00 [111.76]	43.50 [110.49]	32.00 [81.28]	32.00 [81.28]

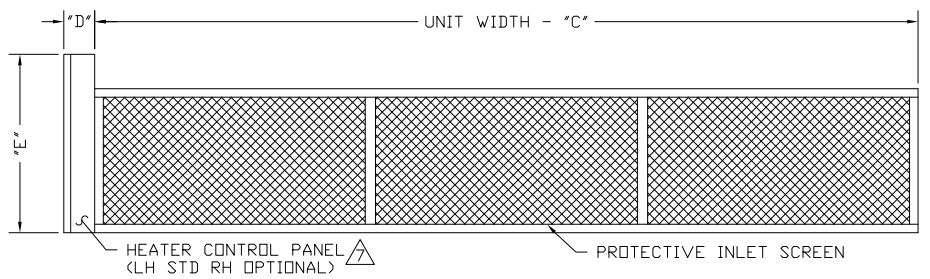
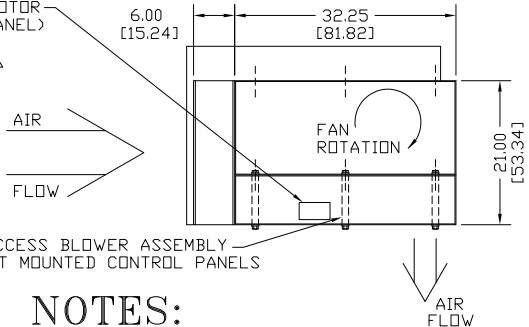
PROJECT		
LOCATION		
ARCHITECT		
ENGINEER		
DWG. NO.	IDC16-ELE1	TITLE: <b>BERNER</b>
DATE	30JUN16	MODEL IDC16 AIR CURTAIN
BY	D. Johnson	FRONT INTAKE ELECTRIC TWO HEATER SYSTEM
REPLACES	03JUN14	
BY	S. Beil	BERNER INTERNATIONAL CORP. NEW CASTLE, PA.

# IDC16

## ELECTRIC HEATED FRONT INTAKE ONE HEATER SYSTEM WITH MOTOR CONTROL



### END VIEW



### BOTTOM VIEW

### NOTES:

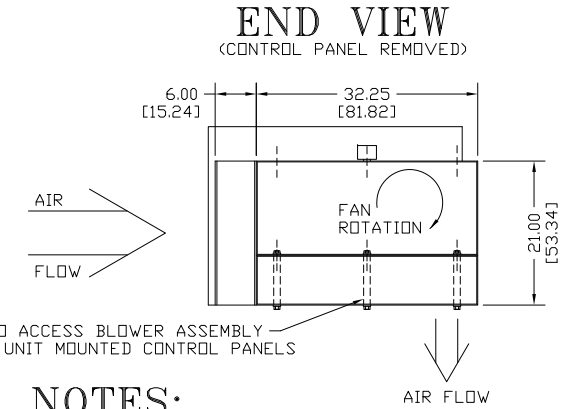
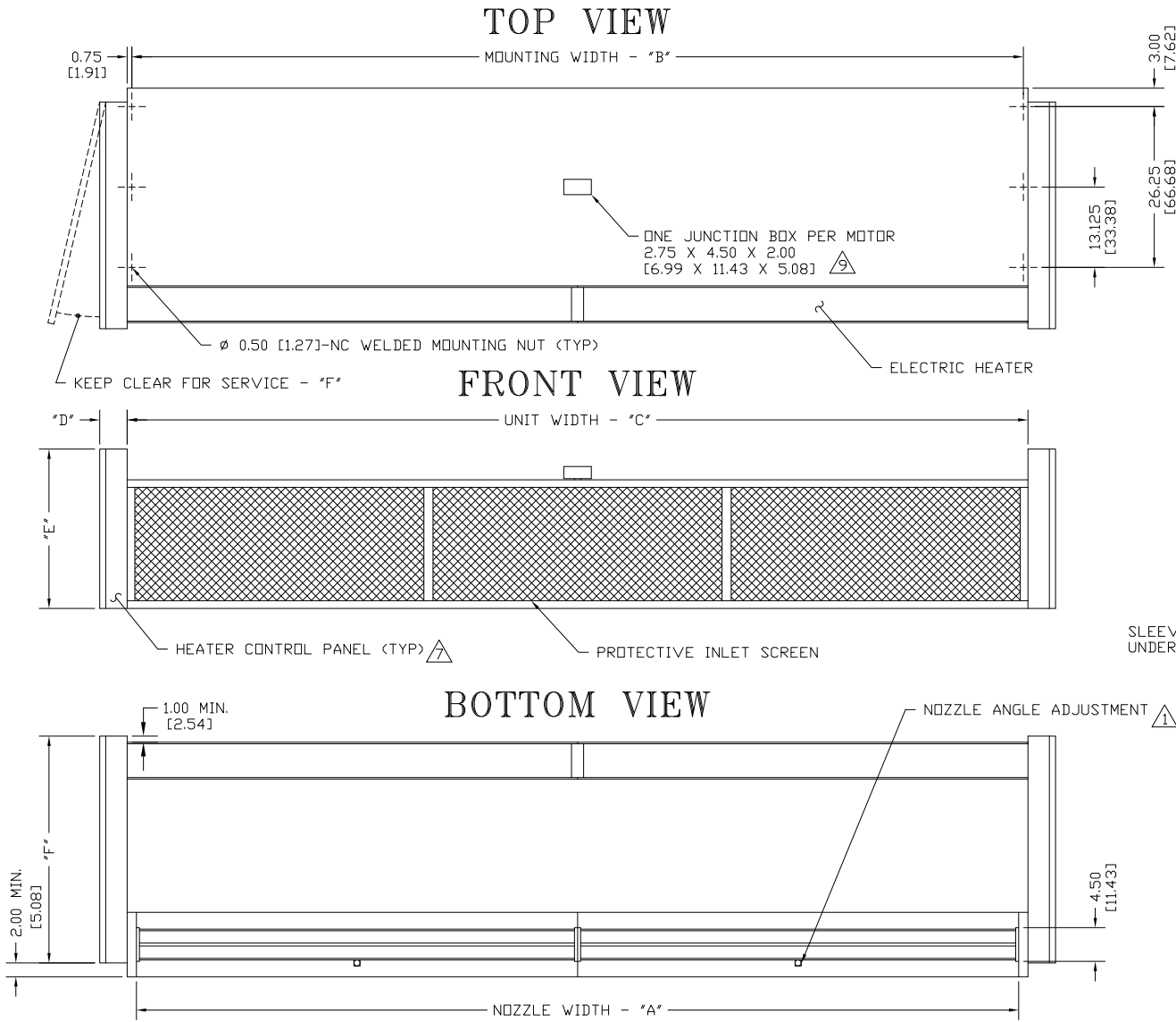
- ① AIR CURTAIN MUST BE INSTALLED SO AIR STREAM IS NOT OBSTRUCTED WHEN DEFLECTED 20° TO EITHER SIDE OF C.
- ② ELECTRICAL CONNECTIONS TO BE FLEXIBLE.
- ③ FIELD VERIFY DIMENSIONS.
- ④ ANCHORS TO SUPPORTING STRUCTURE BY OTHERS.
- ⑤ ADEQUACY OF SUPPORTING STRUCTURE IS TO BE VERIFIED BY A PROFESSIONAL STRUCTURAL ENGINEER.
- ⑥ LETTER 'E' IN MODEL NUMBER DESIGNATES, ELECTRIC HEATED UNIT. THE 'F' DESIGNATES FRONT INTAKE.
- ⑦ HEATER CONTROL PANEL SHOWN LEFT HAND, RIGHT HAND AVAILABLE, PLEASE SPECIFY.
- ⑧ HEATER CONTROL PANEL INCLUDES POWER FUSING, AIR FLOW SWITCH, AND CONTROL CIRCUIT TRANSFORMER.
- ⑨ INCLUDES MOTOR STARTER IN HEATER CONTROL PANEL. REFER TO DRAWING IDC16-ELE1 FOR DIMENSIONS W/O.
- ⑩ DIMENSIONS IN INCHES [CENTIMETERS].

PROJECT			
LOCATION			
ARCHITECT			
ENGINEER			
DWG. NO.	IDC16-ELE1X	TITLE:	<b>BERNER</b>
DATE	30JUN16	MODEL IDC16 AIR CURTAIN	
BY	D. Johnson	FRONT INTAKE ELECTRIC TWO HEATER SYSTEM	
REPLACES	-		
BY	-	BERNER INTERNATIONAL CORP. NEW CASTLE, PA.	

MODEL ⑩	NOZZLE WIDTH "A"	MOUNTING WIDTH "B"	UNIT WIDTH "C"	HEATER CAPACITY (KW)	HEATER CONTROL PANEL DIMENSIONS BASED ON VOLTAGE ⑨											
					"D"				"E"				"F"			
					208V	230V	460V	575V	208V	230V	460V	575V	208V	230V	460V	575V
IDC16-1060E-F	60.00 [152.40]	61.50 [156.21]	63.00 [160.02]	43	6.00 [15.24]	6.00 [15.24]	6.00 [15.24]	6.00 [15.24]	26.00 [66.04]	23.50 [59.69]	23.50 [59.69]	23.50 [59.69]	37.00 [93.98]	35.00 [88.90]	32.00 [81.28]	32.00 [81.28]
IDC16-1072E-F	72.00 [182.88]	73.50 [186.69]	75.00 [190.50]	50	6.00 [15.24]	6.00 [15.24]	6.00 [15.24]	6.00 [15.24]	26.00 [66.04]	23.50 [59.69]	23.50 [59.69]	23.50 [59.69]	37.00 [93.98]	35.00 [88.90]	32.00 [81.28]	32.00 [81.28]
IDC16-1084E-F	84.00 [213.36]	85.50 [217.17]	87.00 [220.98]	56	6.00 [15.24]	6.00 [15.24]	6.00 [15.24]	6.00 [15.24]	27.00 [68.58]	23.50 [59.69]	23.50 [59.69]	23.50 [59.69]	37.00 [93.98]	35.00 [88.90]	32.00 [81.28]	32.00 [81.28]
IDC16-1096E-F	96.00 [243.84]	97.50 [247.65]	99.00 [251.46]	71	6.00 [15.24]	6.00 [15.24]	6.00 [15.24]	6.00 [15.24]	27.00 [68.58]	23.50 [59.69]	23.50 [59.69]	23.50 [59.69]	45.00 [114.30]	37.00 [93.98]	32.00 [81.28]	32.00 [81.28]
IDC16-1108E-F	108.00 [274.32]	109.50 [278.13]	111.00 [281.94]	71	6.00 [15.24]	6.00 [15.24]	6.00 [15.24]	6.00 [15.24]	27.00 [68.58]	23.50 [59.69]	23.50 [59.69]	23.50 [59.69]	45.00 [114.30]	37.00 [93.98]	32.00 [81.28]	32.00 [81.28]
IDC16-1120E-F	117.00 [297.18]	118.50 [300.99]	120.00 [304.80]	100	8.50 [20.32]	8.50 [20.32]	6.00 [15.24]	6.00 [15.24]	27.00 [68.58]	27.00 [68.58]	24.50 [62.23]	24.50 [62.23]	49.00 [124.46]	49.00 [124.46]	37.00 [93.98]	37.00 [93.98]

# IDC16

## ELECTRIC HEATED FRONT INTAKE TWO HEATER SYSTEM



### NOTES:

- ① AIR CURTAIN MUST BE INSTALLED SO AIR STREAM IS NOT OBSTRUCTED WHEN DEFLECTED 20° TO EITHER SIDE OF C.
- ② ELECTRICAL CONNECTIONS TO BE FLEXIBLE.
- ③ FIELD VERIFY DIMENSIONS.
- ④ ANCHORS TO SUPPORTING STRUCTURE BY OTHERS.
- ⑤ ADEQUACY OF SUPPORTING STRUCTURE IS TO BE VERIFIED BY A PROFESSIONAL STRUCTURAL ENGINEER.
- ⑥ LETTER "E" IN MODEL NUMBER DESIGNATES, ELECTRIC HEATED UNIT. THE "F" DESIGNATES FRONT INTAKE.
- ⑦ HEATER CONTROL PANELS REQUIRE LEFT HAND & RIGHT HAND. MOTOR CONTROL IS REMOTE EXCEPT AS IN ⑦.
- ⑧ HEATER CONTROL PANEL INCLUDES POWER FUSING, AIR FLOW SWITCH, AND CONTROL CIRCUIT TRANSFORMER.
- ⑨ TO INCLUDE MOTOR STARTER IN HEATER CONTROL PANEL REFER TO DRAWING IDC16-ELE2X.
- ⑩ DIMENSIONS IN INCHES (CENTIMETERS).

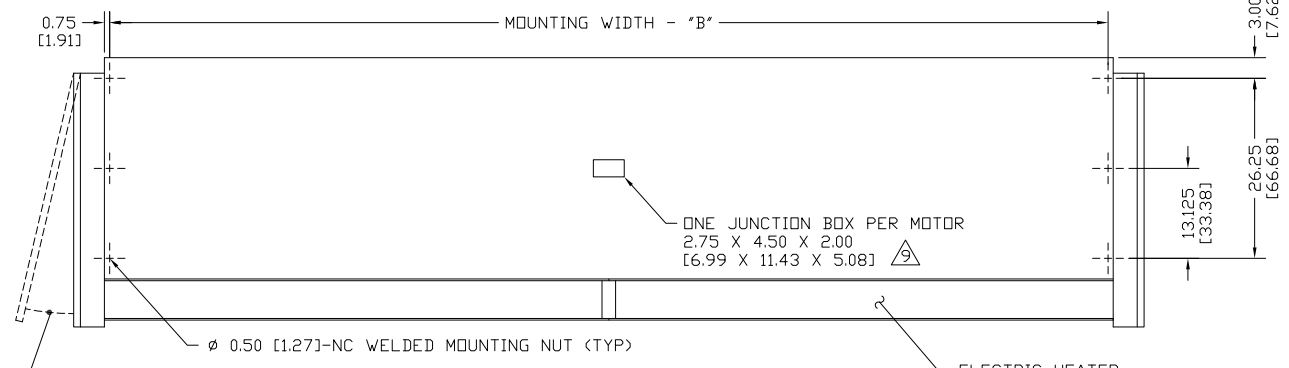
MODEL ⑩	NOZZLE WIDTH "A"	MOUNTING WIDTH "B"	UNIT WIDTH "C"	HEATER CAPACITY (KW)	HEATER CONTROL PANEL DIMENSIONS BASED ON VOLTAGE ⑩											
					"D"				"E"				"F"			
					208V	230V	460V	575V	208V	230V	460V	575V	208V	230V	460V	575V
IDC16-1132E-F	132.00 [335.28]	133.50 [339.09]	135.00 [342.90]	2 @ 52	6.00 [15.24]	6.00 [15.24]	4.50 [11.43]	4.50 [11.43]	23.50 [59.69]	23.50 [59.69]	23.50 [59.69]	23.50 [59.69]	34.00 [86.36]	29.00 [73.66]	26.00 [66.04]	26.00 [66.04]
IDC16-1144E-F	144.00 [365.76]	145.50 [369.57]	147.00 [373.38]	2 @ 52	6.00 [15.24]	6.00 [15.24]	4.50 [11.43]	4.50 [11.43]	23.50 [59.69]	23.50 [59.69]	23.50 [59.69]	23.50 [59.69]	34.00 [86.36]	29.00 [73.66]	26.00 [66.04]	26.00 [66.04]
IDC16-1156E-F	156.00 [396.24]	157.50 [400.05]	159.00 [403.86]	2 @ 55	6.00 [15.24]	6.00 [15.24]	4.50 [11.43]	4.50 [11.43]	23.50 [59.69]	23.50 [59.69]	23.50 [59.69]	23.50 [59.69]	35.00 [88.90]	29.00 [73.66]	26.00 [66.04]	26.00 [66.04]
IDC16-2168E-F	168.00 [426.72]	169.50 [430.53]	171.00 [434.34]	2 @ 60.5	6.00 [15.24]	6.00 [15.24]	4.50 [11.43]	4.50 [11.43]	23.50 [59.69]	23.50 [59.69]	23.50 [59.69]	23.50 [59.69]	35.00 [88.90]	35.00 [88.90]	26.00 [66.04]	26.00 [66.04]
IDC16-2180E-F	180.00 [457.20]	181.50 [461.01]	183.00 [464.82]	2 @ 65	6.00 [15.24]	6.00 [15.24]	4.50 [11.43]	4.50 [11.43]	23.50 [59.69]	23.50 [59.69]	23.50 [59.69]	23.50 [59.69]	35.00 [88.90]	35.00 [88.90]	26.00 [66.04]	26.00 [66.04]
IDC16-2192E-F	192.00 [487.68]	193.50 [491.49]	195.00 [495.30]	2 @ 71	6.00 [15.24]	6.00 [15.24]	4.50 [11.43]	4.50 [11.43]	27.00 [68.58]	23.50 [59.69]	23.50 [59.69]	23.50 [59.69]	39.00 [99.06]	35.00 [88.90]	26.00 [66.04]	26.00 [66.04]

PROJECT		
LOCATION		
ARCHITECT		
ENGINEER		
DWG. NO.	IDC16-ELE2	TITLE: <b>BERNER</b>
DATE	30JUN16	MODEL IDC16 AIR CURTAIN
BY	D. Johnson	FRONT INTAKE ELECTRIC TWO HEATER SYSTEM
REPLACES	03JUN14	
BY	S. Beil	BERNER INTERNATIONAL CORP. NEW CASTLE, PA.

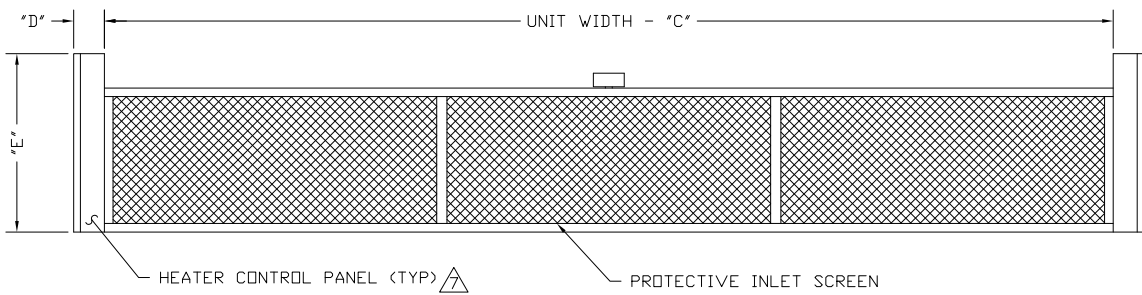
# IDC16

## ELECTRIC HEATED FRONT INTAKE TWO HEATER SYSTEM WITH MOTOR CONTROL

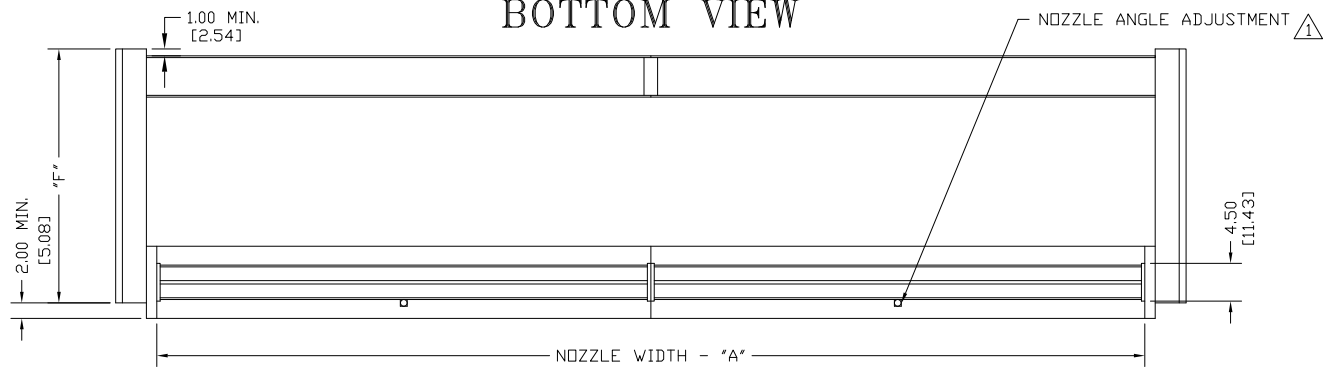
### TOP VIEW



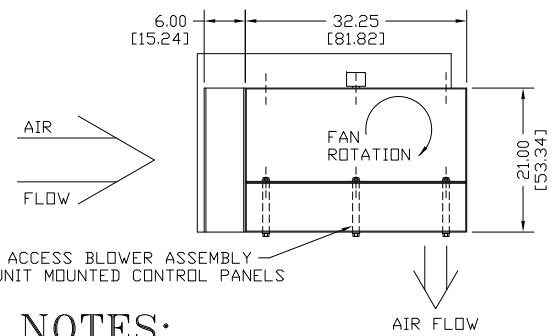
### FRONT VIEW



### BOTTOM VIEW



### END VIEW (CONTROL PANEL REMOVED)



### NOTES:

- ① AIR CURTAIN MUST BE INSTALLED SO AIR STREAM IS NOT OBSTRUCTED WHEN DEFLECTED 20° TO EITHER SIDE OF C.
- ② ELECTRICAL CONNECTIONS TO BE FLEXIBLE.
- ③ FIELD VERIFY DIMENSIONS.
- ④ ANCHORS TO SUPPORTING STRUCTURE BY OTHERS.
- ⑤ ADEQUACY OF SUPPORTING STRUCTURE IS TO BE VERIFIED BY A PROFESSIONAL STRUCTURAL ENGINEER.
- ⑥ LETTER "E" IN MODEL NUMBER DESIGNATES, ELECTRIC HEATED UNIT. THE "F" DESIGNATES FRONT INTAKE.
- ⑦ HEATER CONTROL PANELS REQUIRE LEFT HAND & RIGHT HAND. MOTOR CONTROL IS REMOTE EXCEPT AS IN ⑧.
- ⑧ HEATER CONTROL PANEL INCLUDES POWER FUSING, AIR FLOW SWITCH, AND CONTROL CIRCUIT TRANSFORMER.
- ⑨ TO INCLUDE MOTOR STARTER IN HEATER CONTROL PANEL REFER TO DRAWING IDC16-ELE1 FOR DIMENSIONS W/D.
- ⑩ DIMENSIONS IN INCHES (CENTIMETERS).

MODEL ⑩	NOZZLE WIDTH "A"	MOUNTING WIDTH "B"	UNIT WIDTH "C"	HEATER CAPACITY (KW)	HEATER CONTROL PANEL DIMENSIONS BASED ON VOLTAGE ⑩											
					"D"				"E"				"F"			
					208V	230V	460V	575V	208V	230V	460V	575V	208V	230V	460V	575V
IDC16-1132E-F	132.00 [335.28]	133.50 [339.09]	135.00 [342.90]	2 @ 52	6.00 [15.24]	6.00 [15.24]	6.00 [11.43]	6.00 [15.24]	26.00 [66.04]	23.50 [59.69]	23.50 [59.69]	23.50 [59.69]	37.00 [93.98]	35.00 [88.90]	32.00 [81.28]	32.00 [81.28]
IDC16-1144E-F	144.00 [365.76]	145.50 [369.57]	147.00 [373.38]	2 @ 52	6.00 [15.24]	6.00 [15.24]	6.00 [11.43]	6.00 [15.24]	26.00 [66.04]	23.50 [59.69]	23.50 [59.69]	23.50 [59.69]	37.00 [93.98]	35.00 [88.90]	32.00 [81.28]	32.00 [81.28]
IDC16-1156E-F	156.00 [396.24]	157.50 [400.05]	159.00 [403.86]	2 @ 55	6.00 [15.24]	6.00 [15.24]	6.00 [11.43]	6.00 [15.24]	27.00 [68.58]	23.50 [59.69]	23.50 [59.69]	23.50 [59.69]	37.00 [93.98]	35.00 [88.90]	32.00 [81.28]	26.00 [66.04]
IDC16-2168E-F	168.00 [426.72]	169.50 [430.53]	171.00 [434.34]	2 @ 60.5	6.00 [15.24]	6.00 [15.24]	6.00 [11.43]	6.00 [15.24]	27.00 [68.58]	27.00 [68.58]	23.50 [59.69]	23.50 [59.69]	37.00 [93.98]	37.00 [93.98]	32.00 [81.28]	32.00 [81.28]
IDC16-2180E-F	180.00 [457.20]	181.50 [461.01]	183.00 [464.82]	2 @ 65	6.00 [15.24]	6.00 [15.24]	6.00 [11.43]	6.00 [15.24]	27.00 [68.58]	27.00 [68.58]	23.50 [59.69]	23.50 [59.69]	37.00 [93.98]	37.00 [93.98]	32.00 [81.28]	32.00 [81.28]
IDC16-2192E-F	192.00 [487.68]	193.50 [491.49]	195.00 [495.30]	2 @ 71	6.00 [15.24]	6.00 [15.24]	6.00 [11.43]	6.00 [15.24]	27.00 [68.58]	27.00 [68.58]	23.50 [59.69]	23.50 [59.69]	45.00 [114.30]	37.00 [93.98]	32.00 [81.28]	32.00 [81.28]

PROJECT		TITLE:	<b>BERNER</b>
LOCATION		MODEL	MODEL IDC16 AIR CURTAIN
ARCHITECT		FRONT INTAKE	FRONT INTAKE ELECTRIC TWO HEATER SYSTEM
ENGINEER		REPLACES	-
		BY	-
DWG. NO.	IDC16-ELE2X	BERNER INTERNATIONAL CORP. NEW CASTLE, PA.	
DATE	30JUN16		
BY	D. Johnson		