



# INDUSTRIAL BELT DRIVE 30

## Hot Water Heated Air Curtain

### Data Sheet

For Door Heights To 30' (environmental separation)

#### STANDARD CONSTRUCTION

- Single speed T.E.F.C. motor - belt drive
- Gray powder coated exterior (Optional: Custom Color or Stainless)
- Split cabinet construction for fan assembly removal
- Removable access panels
- Top Mounting only
- Front air intake (Optional: top)
- Motor location top right (Optional: top left, front left or front right)

- Coil Features:
  - Galvanized steel casing
  - 5/8" copper tube with .035" wall
  - Aluminum fins
  - Leak tested at 450 psi

**2 Year  
Limited  
Warranty**



MODEL	Nozzle Width (in)	Max Vel. at Nozzle (fpm)	Avg. Outlet Vel. (fpm)	Air Volume (cfm)	Outlet Vel. Uniformity	Power Rating (kW)	Motor @ HP	Coil Output (MBH)	Entering / Leaving Water Temp. (°F)	Water Flow (GPM)	Fluid Pressure Drop (FT. WG.)	Air Temp. Rise (°F)	Net Wt. (lbs)
IBC30-1096W	96.00	7,590	3,800	20,240	79%	15.90	1 @ 15	741.4	180° / 160°	78.0	8.9	33°	1,193
IBC30-1108W	108.00	6,429	3,215	19,287	86%	14.60	1 @ 15	754.2	180° / 159°	75.0	8.4	36°	1,255
IBC30-1120W	116.00	7,395	3,800	24,650	89%	20.80	1 @ 20	901.8	180° / 159°	90.0	12.2	33°	1,320
IBC30-1132W	132.00	6,868	3,434	25,183	87%	20.40	1 @ 20	968.1	180° / 159°	95.0	13.8	35°	1,455
IBC30-1144W	144.00	6,429	3,215	25,716	86%	19.50	1 @ 20	1,020.4	180° / 159°	100.0	15.5	36°	1,577
IBC30-1156W	156.00	5,996	2,998	25,983	85%	20.80	1 @ 20	1,057.2	180° / 158°	100.0	15.7	37°	1,700
IBC30-1168W	168.00	7,330	3,665	34,206	86%	26.40	1 @ 25	1,286.0	180° / 158°	121.0	23.2	34°	1,822
IBC30-1180W	180.00	6,948	3,474	34,739	85%	26.60	1 @ 25	1,338.1	180° / 158°	125.0	25.0	35°	1,949
IBC30-1192W	192.00	7,590	3,800	40,480	79%	31.80	1 @ 30	1,514.6	180° / 159°	145.0	33.9	34°	2,072

#### NOTES:

1. Operation at 50 Hz will generate approximately a 17% reduction in performance.
2. Performance data based on AMCA licensed data from unheated units.
3. Coil performance based on 65°F entering air temperature.
4. Standard connection same end supply/return (Optional: opposite end supply/return).
5. Coil should be field supplied with a solenoid valve that energizes only when air curtain is energized. Consideration must be taken for freeze protection when necessary.
6. Maximum leaving air temperature shall not exceed 120°F.
7. Consult factory for alternate entering air & water temperatures, GPM's, or opposite end supply/return connections performance data.
8. Vertically mounted Industrial Belt Drive air curtains not available.

See sheet EP-466 for amp draws/total load requirements.

## MODEL NUMBER CONFIGURATION

### IBC30-1 096 W D-F-T-SS

Series	# of Motors	Opening Width	Heat	Voltage	Intake	Motor Location	Opt. Cabinet Finish
IBC30	1	096" - 192"	W=Hot Water Heated	D=208/3/60 E=240/3/60 H=480/3/60 I=600/3/60 T=380/3/50	T=Top F=Front	T=Top F=Front	SS=Stainless Steel CC=Custom Color

Sound level measured 10' (3m) from the unit in free field:  
15, 20, 25 & 30 hp motor(s):  
85 dBA, 86 dBA, 87 dBA & 88 dBA

Berner reserves the right to alter specifications without prior notice.

[www.berner.com](http://www.berner.com) **Berner International** 800.245.4455  
111 Progress Ave. / New Castle / PA / 16101 / USA

DS-466  
April, 2022



# INDUSTRIAL BELT DRIVE 30

## Hot Water Heated Air Curtain Electrical Performance Sheet

MODEL	Qty @ HP	# CKTS	208/3/60 (voltage code D) TOTAL MOTOR AMP DRAW		# CKTS	240/3/60 (voltage code E) TOTAL MOTOR AMP DRAW		# CKTS	480/3/60 (voltage code H) TOTAL MOTOR AMP DRAW	
			AMPS PER CIRCUIT	BREAKER RATING PER CIRCUIT		AMPS PER CIRCUIT	BREAKER RATING PER CIRCUIT		AMPS PER CIRCUIT	BREAKER RATING PER CIRCUIT
IBC30-1096W IBC30-1108W	1 @ 15	1	40.0	90	1	37.0	80	1	18.4	40
IBC30-1120W IBC30-1132W IBC30-1144W IBC30-1156W	1 @ 20	1	53.4	125	1	47.0	100	1	23.7	50
IBC30-1168W IBC30-1180W	1 @ 25	1	65.0	150	1	59.0	125	1	29.3	60
IBC30-1192W	1 @ 30	1	78.0	175	1	70.0	150	1	35.0	75

MODEL	Qty @ HP	# CKTS	600/3/60 (voltage code I) TOTAL MOTOR AMP DRAW		# CKTS	380/3/50 (voltage code T) TOTAL MOTOR AMP DRAW	
			AMPS PER CIRCUIT	BREAKER RATING PER CIRCUIT		AMPS PER CIRCUIT	BREAKER RATING PER CIRCUIT
IBC30-1096W IBC30-1108W	1 @ 15	1	14.6	30	1	23.0	40
IBC30-1120W IBC30-1132W IBC30-1144W IBC30-1156W	1 @ 20	1	19.0	40	1	30.5	50
IBC30-1168W IBC30-1180W	1 @ 25	1	23.4	50	1	39.1	60
IBC30-1192W	1 @ 30	1	28.1	60	1	47.5	75

Berner reserves the right to alter specifications without prior notice.

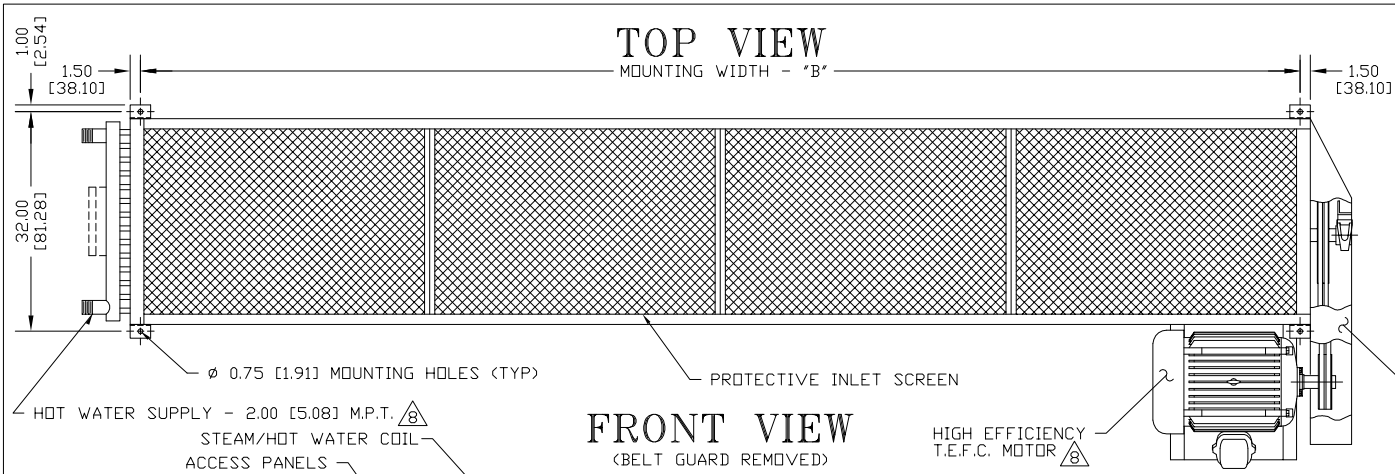
[www.berner.com](http://www.berner.com) **Berner International** 800.245-4455  
111 Progress Ave. / New Castle / PA / 16101 / USA

EP-466  
December, 2018

# IBC30

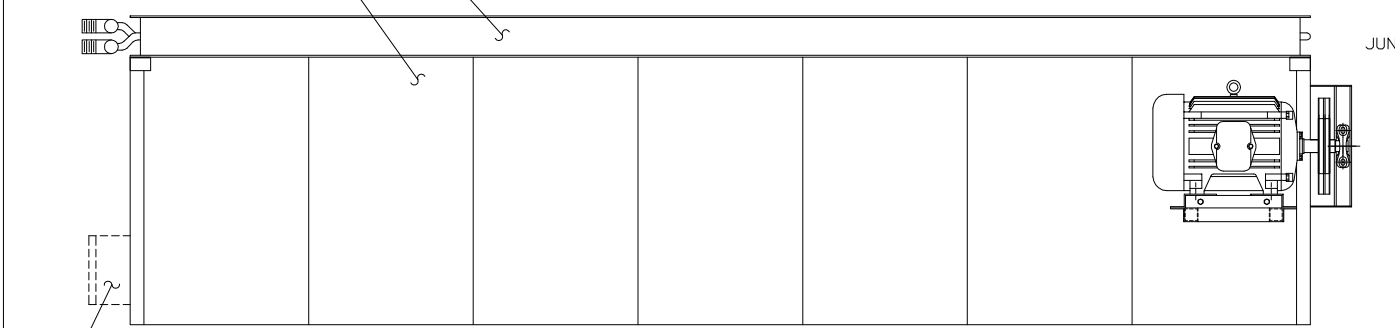
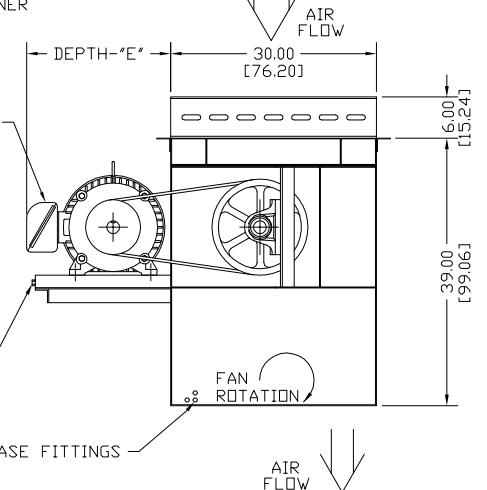
**HOT WATER HEATED  
TOP INTAKE  
SAME END SUP./RET.  
FRONT MOTOR MOUNT**

**CAUTION:** UNIT MAY NOT BE SUSPENDED FROM COIL  
IT MUST BE SUPPORTED FROM THE BOTTOM

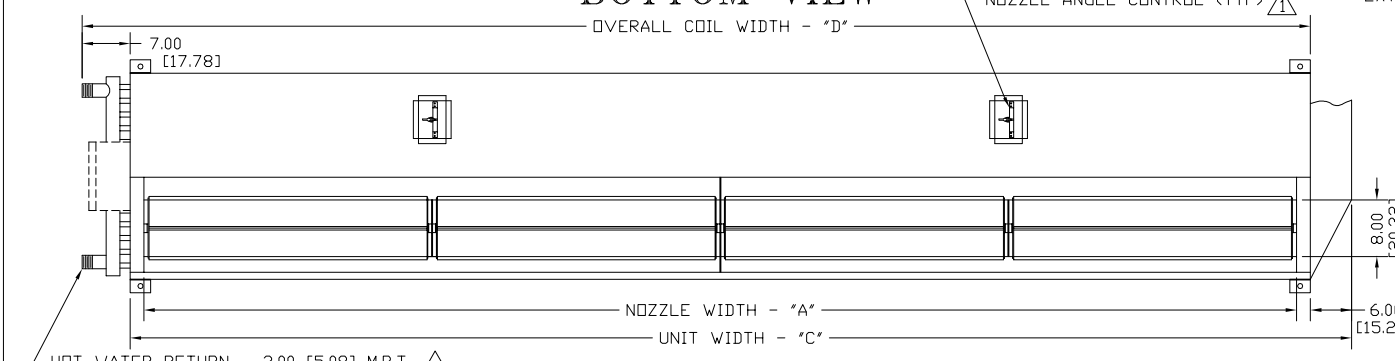


**FRONT VIEW**  
(BELT GUARD REMOVED)

**END VIEW (BELT GUARD REMOVED)**



**BOTTOM VIEW**

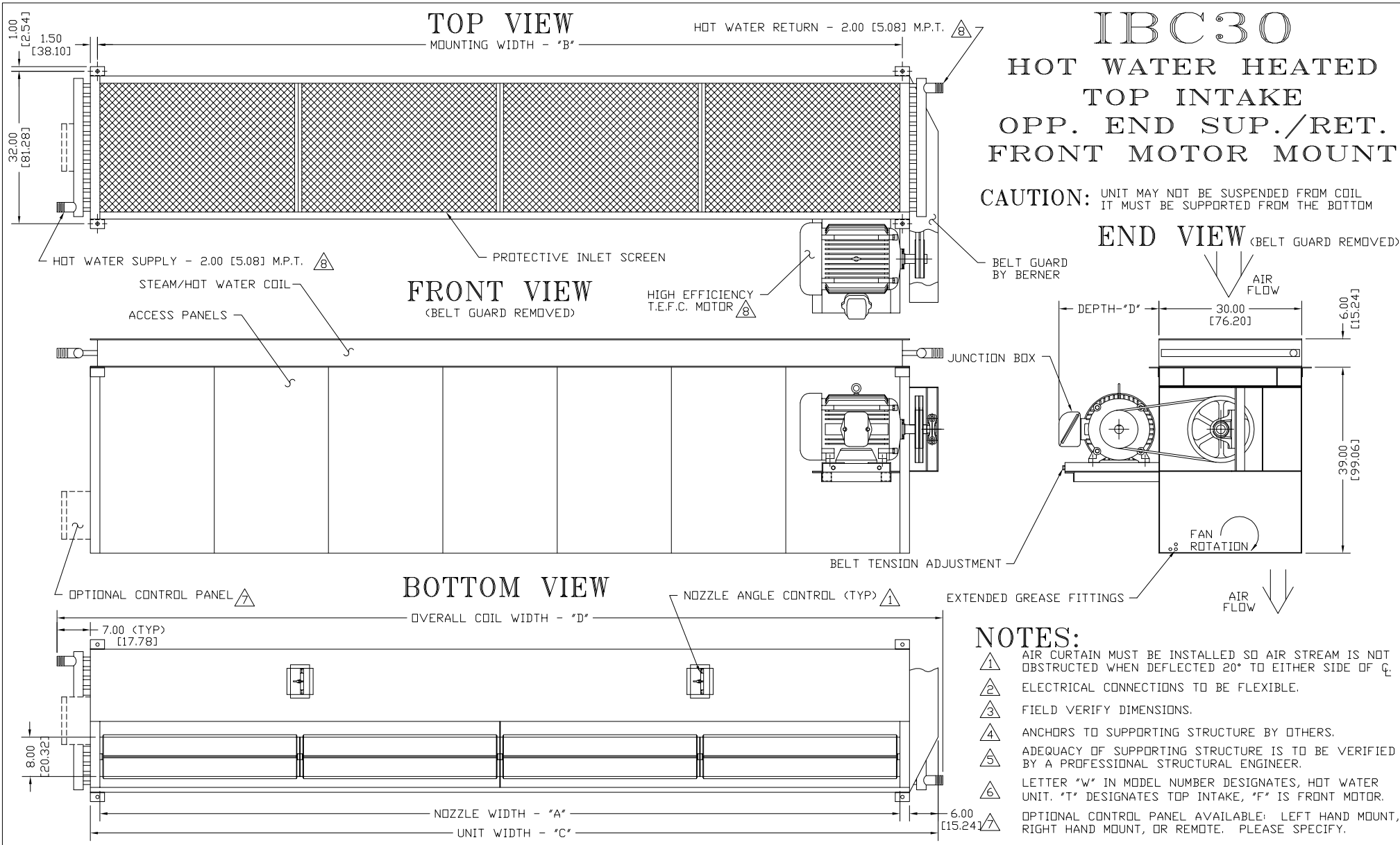


**NOTES:**

- ① AIR CURTAIN MUST BE INSTALLED SO AIR STREAM IS NOT OBSTRUCTED WHEN DEFLECTED 20° TO EITHER SIDE OF C.
- ② ELECTRICAL CONNECTIONS TO BE FLEXIBLE.
- ③ FIELD VERIFY DIMENSIONS.
- ④ ANCHORS TO SUPPORTING STRUCTURE BY OTHERS.
- ⑤ ADEQUACY OF SUPPORTING STRUCTURE IS TO BE VERIFIED BY A PROFESSIONAL STRUCTURAL ENGINEER.
- ⑥ LETTER "W" IN MODEL NUMBER DESIGNATES, HOT WATER UNIT. "T" DESIGNATES TOP INTAKE, "F" IS FRONT MOTOR.
- ⑦ OPTIONAL CONTROL PANEL AVAILABLE: LEFT HAND MOUNT, RIGHT HAND MOUNT, OR REMOTE. PLEASE SPECIFY.
- ⑧ MOTOR AND COIL CONNECTIONS AS SHOWN, OPPOSITE AND SAME END CONNECTIONS AVAILABLE, PLEASE SPECIFY.
- ⑨ DIMENSIONS IN INCHES [CENTIMETERS].

MODEL ⑥	NOZZLE WIDTH "A"	MOUNTING WIDTH "B"	UNIT WIDTH "C"	COIL WIDTH "D"	MAX MOTOR HEIGHT "E"
IBC30-1096W-TF	96.00 [243.84]	97.00 [246.38]	106.00 [269.24]	107.00 [271.78]	20.50 [52.07]
IBC30-1108W-TF	108.00 [274.32]	109.00 [276.86]	118.00 [299.72]	119.00 [302.26]	20.50 [52.07]
IBC30-1120W-TF	116.00 [294.64]	117.00 [297.18]	126.00 [320.04]	127.00 [322.58]	20.50 [52.07]
IBC30-1132W-TF	132.00 [335.28]	133.00 [337.82]	142.00 [360.68]	143.00 [363.22]	20.50 [52.07]
IBC30-1144W-TF	144.00 [365.76]	145.00 [368.30]	154.00 [391.16]	155.00 [393.70]	24.50 [62.23]
IBC30-1156W-TF	156.00 [396.24]	157.00 [398.78]	166.00 [421.64]	167.00 [424.18]	24.50 [62.23]
IBC30-1168W-TF	168.00 [426.72]	169.00 [429.26]	178.00 [452.12]	179.00 [454.66]	24.50 [62.23]
IBC30-1180W-TF	180.00 [457.20]	181.00 [459.74]	190.00 [482.60]	191.00 [485.14]	27.50 [69.85]
IBC30-1192W-TF	192.00 [487.68]	193.00 [490.22]	202.00 [513.08]	203.00 [515.62]	27.50 [69.85]

PROJECT		
LOCATION		
ARCHITECT		
ENGINEER		
DWG. NO.	IBC30-WTR1	TITLE: <b>BERNER</b>
DATE	12 JUNE 14	MODEL IBC30 AIR CURTAIN
BY	S. Beil	TOP INTAKE - HOT WATER HEATED SYSTEM
REPLACES	-	
BY	-	BERNER INTERNATIONAL CORP. NEW CASTLE, PA.

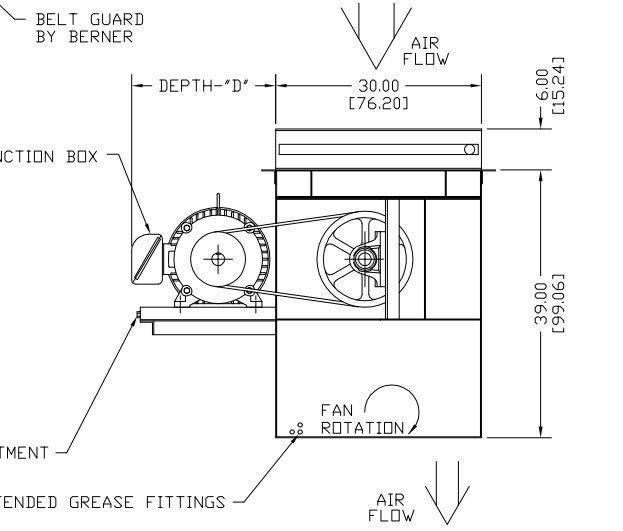


# IBC30

## HOT WATER HEATED TOP INTAKE OPP. END SUP./RET. FRONT MOTOR MOUNT

**CAUTION:** UNIT MAY NOT BE SUSPENDED FROM COIL. IT MUST BE SUPPORTED FROM THE BOTTOM

### END VIEW (BELT GUARD REMOVED)



### NOTES:

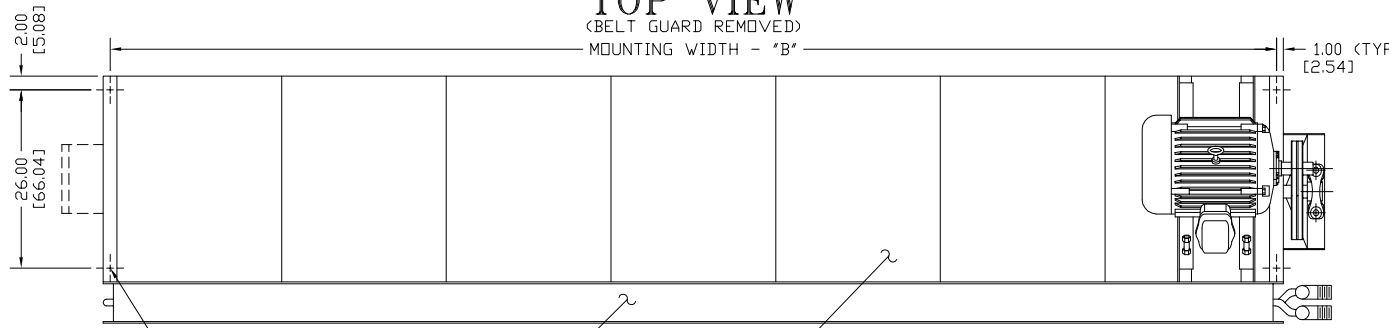
- ① AIR CURTAIN MUST BE INSTALLED SO AIR STREAM IS NOT OBSTRUCTED WHEN DEFLECTED 20° TO EITHER SIDE OF C.
- ② ELECTRICAL CONNECTIONS TO BE FLEXIBLE.
- ③ FIELD VERIFY DIMENSIONS.
- ④ ANCHORS TO SUPPORTING STRUCTURE BY OTHERS.
- ⑤ ADEQUACY OF SUPPORTING STRUCTURE IS TO BE VERIFIED BY A PROFESSIONAL STRUCTURAL ENGINEER.
- ⑥ LETTER "W" IN MODEL NUMBER DESIGNATES, HOT WATER UNIT. "T" DESIGNATES TOP INTAKE, "F" IS FRONT MOTOR.
- ⑦ OPTIONAL CONTROL PANEL AVAILABLE: LEFT HAND MOUNT, RIGHT HAND MOUNT, OR REMOTE. PLEASE SPECIFY.
- ⑧ MOTOR AND COIL CONNECTIONS AS SHOWN, OPPOSITE AND SAME END CONNECTIONS AVAILABLE, PLEASE SPECIFY.
- ⑨ DIMENSIONS IN INCHES [CENTIMETERS].

MODEL ⑥	NOZZLE WIDTH "A"	MOUNTING WIDTH "B"	UNIT WIDTH "C"	COIL WIDTH "D"	MAX MOTOR HEIGHT "E"
IBC30-1096W-TF	96.00 [243.84]	97.00 [246.38]	106.00 [269.24]	114.00 [289.56]	20.50 [52.07]
IBC30-1108W-TF	108.00 [274.32]	109.00 [276.86]	118.00 [299.72]	126.00 [320.04]	20.50 [52.07]
IBC30-1120W-TF	116.00 [294.64]	117.00 [297.18]	126.00 [320.04]	134.00 [340.36]	20.50 [52.07]
IBC30-1132W-TF	132.00 [335.28]	133.00 [337.82]	142.00 [360.68]	150.00 [381.00]	20.50 [52.07]
IBC30-1144W-TF	144.00 [365.76]	145.00 [368.30]	154.00 [391.16]	162.00 [411.48]	24.50 [62.23]
IBC30-1156W-TF	156.00 [396.24]	157.00 [398.78]	166.00 [421.64]	174.00 [441.96]	24.50 [62.23]
IBC30-1168W-TF	168.00 [426.72]	169.00 [429.26]	178.00 [452.12]	186.00 [472.44]	24.50 [62.23]
IBC30-1180W-TF	180.00 [457.20]	181.00 [459.74]	190.00 [482.60]	198.00 [502.92]	27.50 [69.85]
IBC30-1192W-TF	192.00 [487.68]	193.00 [490.22]	202.00 [513.08]	210.00 [533.40]	27.50 [69.85]

PROJECT		TITLE: <b>BERNER</b>
LOCATION		MODEL IBC30 AIR CURTAIN
ARCHITECT		TOP INTAKE - HOT WATER HEATED SYSTEM
ENGINEER		
DWG. NO.	IBC30-WTR2	
DATE	12 JUNE 14	
BY	S. Beil	
REPLACES	-	
BY	-	
BERNER INTERNATIONAL CORP. NEW CASTLE, PA.		

# TOP VIEW

(BELT GUARD REMOVED)  
MOUNTING WIDTH - "B"

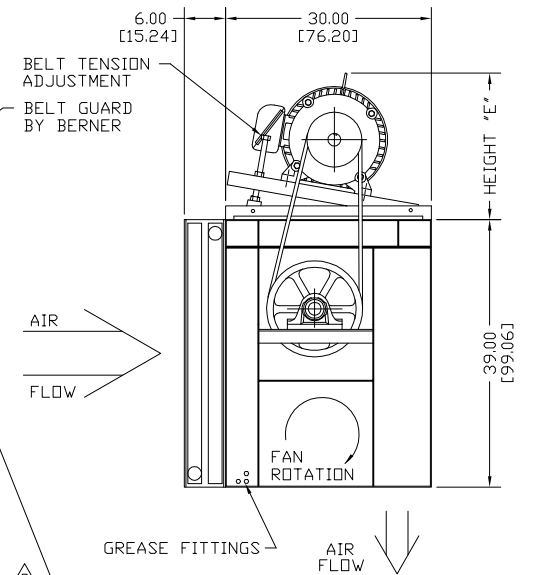


# IBC30

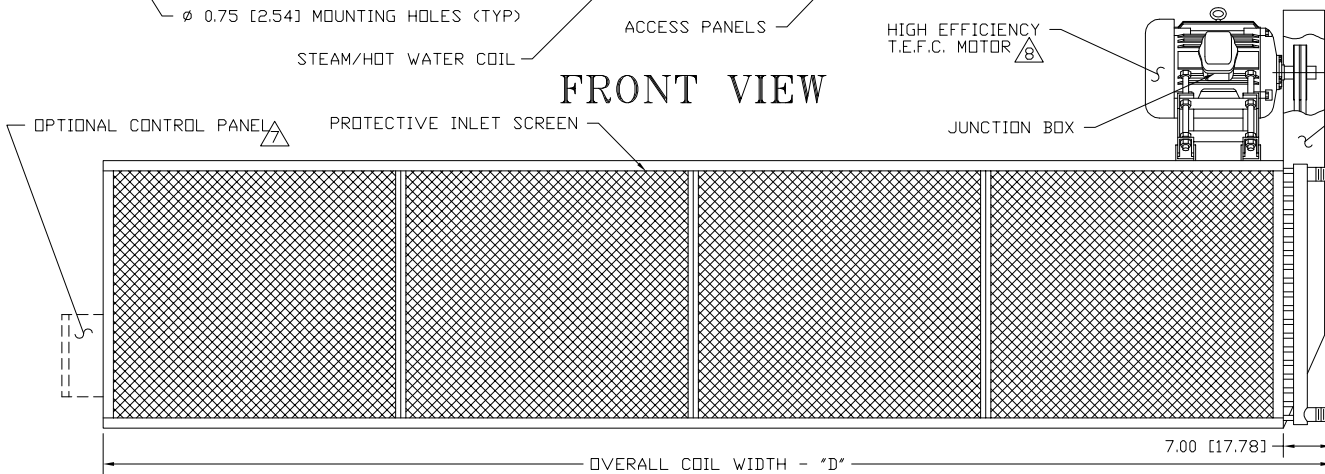
HOT WATER HEATED  
FRONT INTAKE  
SAME END SUP./RET.  
TOP MOTOR MOUNT

# END VIEW

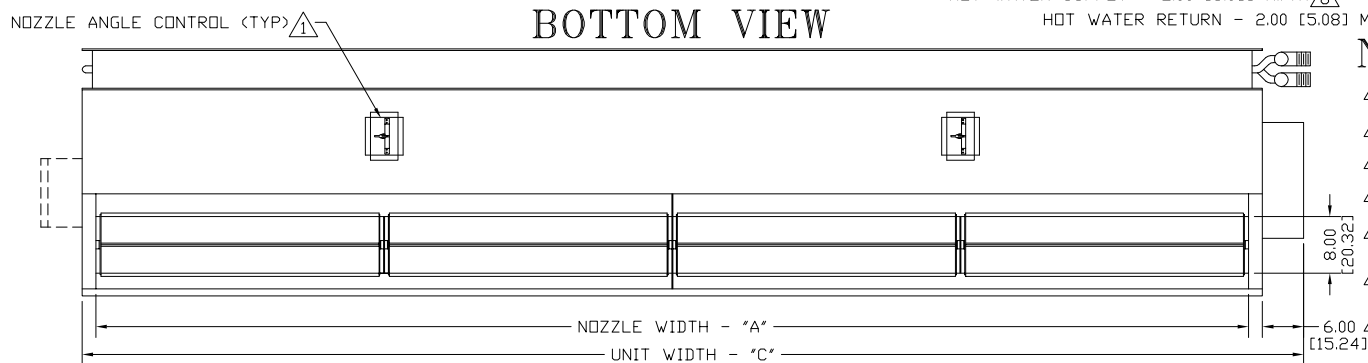
(BELT GUARD REMOVED)



# FRONT VIEW



# BOTTOM VIEW



# NOTES:

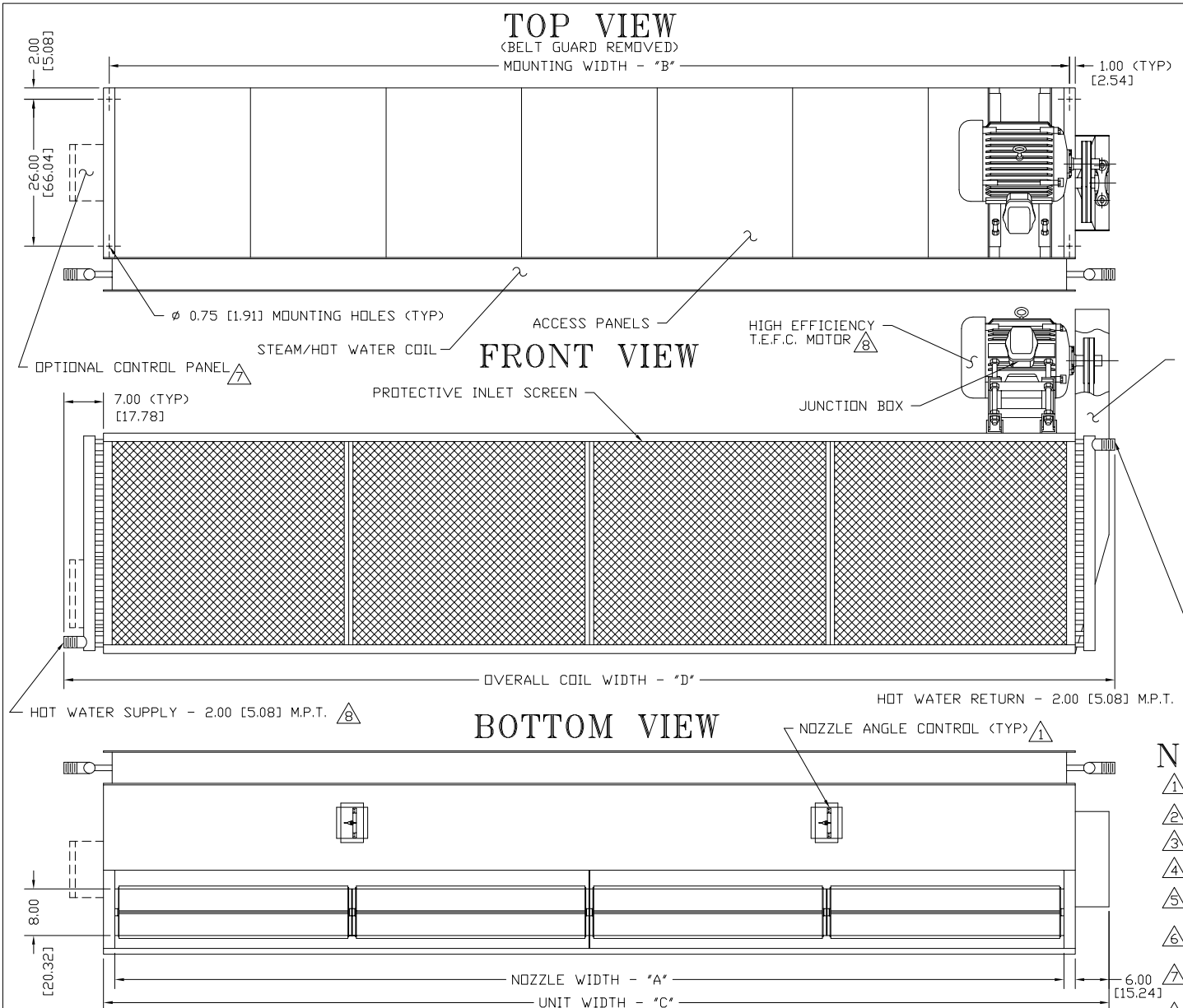
- 1 AIR CURTAIN MUST BE INSTALLED SO AIR STREAM IS NOT OBSTRUCTED WHEN DEFLECTED 20° TO EITHER SIDE OF CL
- 2 ELECTRICAL CONNECTIONS TO BE FLEXIBLE.
- 3 FIELD VERIFY DIMENSIONS.
- 4 ANCHORS TO SUPPORTING STRUCTURE BY OTHERS.
- 5 ADEQUACY OF SUPPORTING STRUCTURE IS TO BE VERIFIED BY A PROFESSIONAL STRUCTURAL ENGINEER.
- 6 LETTER "W" IN MODEL NUMBER DESIGNATES, HOT WATER UNIT. "F" DESIGNATES FRONT INTAKE, "T" IS TOP MOTOR.
- 7 OPTIONAL CONTROL PANEL AVAILABLE: LEFT HAND MOUNT, RIGHT HAND MOUNT, OR REMOTE. PLEASE SPECIFY.
- 8 MOTOR AND COIL CONNECTIONS AS SHOWN, OPPOSITE AND SAME END CONNECTIONS AVAILABLE, PLEASE SPECIFY.
- 9 DIMENSIONS IN INCHES (CENTIMETERS).

MODEL	NOZZLE WIDTH "A"	MOUNTING WIDTH "B"	UNIT WIDTH "C"	COIL WIDTH "D"	MAX MOTOR HEIGHT "E"
IBC30-1096W-FT	96.00 [243.84]	98.00 [248.92]	106.00 [269.24]	107.00 [271.78]	20.50 [52.07]
IBC30-1108W-FT	108.00 [274.32]	110.00 [279.40]	118.00 [299.72]	119.00 [302.26]	20.50 [52.07]
IBC30-1120W-FT	116.00 [294.64]	118.00 [299.72]	126.00 [320.04]	127.00 [322.58]	20.50 [52.07]
IBC30-1132W-FT	132.00 [335.28]	134.00 [340.36]	142.00 [360.68]	143.00 [363.22]	20.50 [52.07]
IBC30-1144W-FT	144.00 [365.76]	146.00 [370.84]	154.00 [391.16]	155.00 [393.70]	22.00 [55.88]
IBC30-1156W-FT	156.00 [396.24]	158.00 [401.32]	166.00 [421.64]	167.00 [424.18]	22.00 [55.88]
IBC30-1168W-FT	168.00 [426.72]	170.00 [431.80]	178.00 [452.12]	179.00 [454.66]	22.00 [55.88]
IBC30-1180W-FT	180.00 [457.20]	182.00 [462.28]	190.00 [482.60]	191.00 [485.14]	22.00 [55.88]
IBC30-1192W-FT	192.00 [487.68]	194.00 [492.76]	202.00 [513.08]	203.00 [515.62]	25.00 [63.50]

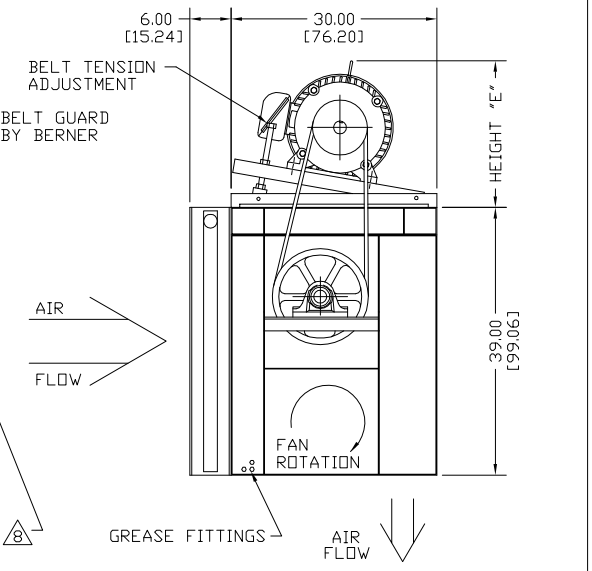
PROJECT		TITLE: <b>BERNER</b>
LOCATION		MODEL IBC30 AIR CURTAIN
ARCHITECT		FRONT INTAKE - HOT WATER HEATED SYSTEM
ENGINEER		
DWG. NO.	IBC30-WTR3	
DATE	12 JUNE 14	
BY	S. Beil	
REPLACES	-	
BY	-	BERNER INTERNATIONAL CORP. NEW CASTLE, PA.

# IBC30

HOT WATER HEATED  
FRONT INTAKE  
OPP. END SUP./RET.  
TOP MOTOR MOUNT



## END VIEW (BELT GUARD REMOVED)



### NOTES:

- 1 AIR CURTAIN MUST BE INSTALLED SO AIR STREAM IS NOT OBSTRUCTED WHEN DEFLECTED 20° TO EITHER SIDE OF C.
- 2 ELECTRICAL CONNECTIONS TO BE FLEXIBLE.
- 3 FIELD VERIFY DIMENSIONS.
- 4 ANCHORS TO SUPPORTING STRUCTURE BY OTHERS.
- 5 ADEQUACY OF SUPPORTING STRUCTURE IS TO BE VERIFIED BY A PROFESSIONAL STRUCTURAL ENGINEER.
- 6 LETTER "W" IN MODEL NUMBER DESIGNATES, HOT WATER UNIT. "F" DESIGNATES FRONT INTAKE, "T" IS TOP MOTOR.
- 7 OPTIONAL CONTROL PANEL AVAILABLE: LEFT HAND MOUNT, RIGHT HAND MOUNT, OR REMOTE. PLEASE SPECIFY.
- 8 MOTOR AND COIL CONNECTIONS AS SHOWN, OPPOSITE AND SAME END CONNECTIONS AVAILABLE, PLEASE SPECIFY.
- 9 DIMENSIONS IN INCHES [CENTIMETERS].

MODEL	NOZZLE WIDTH "A"	MOUNTING WIDTH "B"	UNIT WIDTH "C"	COIL WIDTH "D"	MAX MOTOR HEIGHT "E"
IBC30-1096W-FT	96.00 [243.84]	98.00 [248.92]	106.00 [269.24]	114.00 [289.56]	20.50 [52.07]
IBC30-1108W-FT	108.00 [274.32]	110.00 [279.40]	118.00 [299.72]	126.00 [320.04]	20.50 [52.07]
IBC30-1120W-FT	116.00 [294.64]	118.00 [299.72]	126.00 [320.04]	134.00 [340.36]	20.50 [52.07]
IBC30-1132W-FT	132.00 [335.28]	134.00 [340.36]	142.00 [360.68]	150.00 [381.00]	20.50 [52.07]
IBC30-1144W-FT	144.00 [365.76]	146.00 [370.84]	154.00 [391.16]	162.00 [411.48]	22.00 [55.88]
IBC30-1156W-FT	156.00 [396.24]	158.00 [401.32]	166.00 [421.64]	174.00 [441.96]	22.00 [55.88]
IBC30-1168W-FT	168.00 [426.72]	170.00 [431.80]	178.00 [452.12]	186.00 [472.44]	22.00 [55.88]
IBC30-1180W-FT	180.00 [457.20]	182.00 [462.28]	190.00 [482.60]	198.00 [502.92]	22.00 [55.88]
IBC30-1192W-FT	192.00 [487.68]	194.00 [492.76]	202.00 [513.08]	210.00 [533.40]	25.00 [63.50]

PROJECT		TITLE: <b>BERNER</b>
LOCATION		MODEL IBC30 AIR CURTAIN
ARCHITECT		FRONT INTAKE - HOT WATER HEATED SYSTEM
ENGINEER		
DWG. NO.	IBC30-WTR4	
DATE	12 JUNE 14	
BY	S. Beil	
REPLACES	-	
BY	-	BERNER INTERNATIONAL CORP. NEW CASTLE, PA.