



INDUSTRIAL BELT DRIVE 30

Direct Gas Heated Air Curtain 40° Temp. Rise

Data Sheet

For Door Heights To 30' (environmental separation)

STANDARD CONSTRUCTION

- Single speed T.E.F.C. motor - belt drive
- Gray powder coated exterior (Optional: Custom Color or Stainless)
- Split cabinet construction for fan assembly removal
- Removable access panels
- Top Mounting only
- Front air intake (Optional: top)
- Motor location top right (Optional: top left, front left or front right)

- Factory mounted duct transition with bottom access panels
- Factory mounted modulating direct fired heater with FM/IRI gas train
 - Factory mounted wired heater control panel
 - Steel cabinet with gray finish
 - Spark ignited intermittent pilot

**2 Year
Limited
Warranty**



MODEL	Nozzle Width (in)	Max Vel. at Nozzle (fpm)	Avg. Outlet Vel. (fpm)	Air Volume (cfm)	Outlet Vel. Uniformity	Power Rating (kW)	Motor @ HP	Heater Output (MBH)	Gas Train Size	Air Temp. Rise (°F)	Net Wt. Air Curtain (lbs)	Net Wt. Duct Trans. (lbs)	Net Wt. Burner Box (lbs)
IBC30-1096D	96.00	7,590	3,800	20,240	79%	15.90	1 @ 15	878.7	1"	40°	960	104	440
IBC30-1108D	108.00	6,429	3,215	19,287	86%	14.60	1 @ 15	837.3	1"	40°	1,000	119	440
IBC30-1120D	116.00	7,395	3,800	24,650	89%	20.80	1 @ 20	1,070.0	1"	40°	1,050	129	440
IBC30-1132D	132.00	6,868	3,434	25,183	87%	20.40	1 @ 20	1,093.7	1"	40°	1,150	149	440
IBC30-1144D	144.00	6,429	3,215	25,716	86%	19.50	1 @ 20	1,116.4	1"	40°	1,250	163	440
IBC30-1156D	156.00	5,996	2,998	25,983	85%	20.80	1 @ 20	1,128.2	1"	40°	1,350	178	440
IBC30-1168D	168.00	7,330	3,665	34,206	86%	26.40	1 @ 25	1,485.2	1 1/4"	40°	1,450	177	560
IBC30-1180D	180.00	6,948	3,474	34,739	85%	26.60	1 @ 25	1,507.9	1 1/4"	40°	1,550	192	560
IBC30-1192D	192.00	7,590	3,800	40,480	79%	31.80	1 @ 30	1,757.4	1 1/4"	40°	1,650	207	560

NOTES:

1. Operation at 50 Hz will generate approximately a 17% reduction in performance.
2. Performance data based on AMCA licensed data from unheated units.
3. Maximum leaving air temperature shall not exceed 120°F.
4. Duct transition and direct fired gas heater are factory mounted to air curtain and each require individual support.
5. Gas supply pressure: minimum 1 psi, maximum 5 psi.
6. Vertically mounted Industrial Belt Drive air curtains not available.
7. Gas train size is not the main gas supply line size.

See sheet EP-469 for amp draws/total load requirements.

MODEL NUMBER CONFIGURATION

IBC30-1 096 D D-F-T-SS

Series	# of Motors	Opening Width	Heat	Voltage	Intake	Motor Location	Opt. Cabinet Finish
IBC30	1	096" - 192"	D=Direct Gas Heated	D=208/3/60 E=240/3/60 H=480/3/60 I=600/3/60 T=380/3/50	T=Top F=Front	T=Top F=Front	SS=Stainless Steel CC=Custom Color

Sound level measured 10' (3m) from the unit in free field:
15, 20, 25 & 30 hp motor(s):
85 dBA, 86 dBA, 87 dBA & 88 dBA

Berner reserves the right to alter specifications without prior notice.

www.berner.com Berner International 800.245.4455
111 Progress Ave. / New Castle / PA / 16101 / USA

DS-469A
December, 2018



INDUSTRIAL BELT DRIVE 30

Direct Gas Heated Air Curtain Electrical Performance Sheet

MODEL	Qty @ HP	208/3/60 (voltage code D) TOTAL MOTOR AMP DRAW			240/3/60 (voltage code E) TOTAL MOTOR AMP DRAW			480/3/60 (voltage code H) TOTAL MOTOR AMP DRAW		
		# CKTS	AMPS PER CIRCUIT	BREAKER RATING PER CIRCUIT	# CKTS	AMPS PER CIRCUIT	BREAKER RATING PER CIRCUIT	# CKTS	AMPS PER CIRCUIT	BREAKER RATING PER CIRCUIT
IBC30-1096D IBC30-1108D	1 @ 15	1	43.6	90	1	40.1	80	1	20.0	40
IBC30-1120D IBC30-1132D IBC30-1144D IBC30-1156D	1 @ 20	1	57.0	125	1	50.1	100	1	25.3	50
IBC30-1168D IBC30-1180D	1 @ 25	1	68.6	150	1	62.1	125	1	30.9	60
IBC30-1192D	1 @ 30	1	81.6	175	1	73.0	150	1	36.6	75

MODEL	Qty @ HP	600/3/60 (voltage code I) TOTAL MOTOR AMP DRAW			380/3/50 (voltage code T) TOTAL MOTOR AMP DRAW		
		# CKTS	AMPS PER CIRCUIT	BREAKER RATING PER CIRCUIT	# CKTS	AMPS PER CIRCUIT	BREAKER RATING PER CIRCUIT
IBC30-1096D IBC30-1108D	1 @ 15	1	15.9	30	1	25.0	40
IBC30-1120D IBC30-1132D IBC30-1144D IBC30-1156D	1 @ 20	1	20.3	40	1	33.6	50
IBC30-1168D IBC30-1180D	1 @ 25	1	24.7	50	1	42.2	60
IBC30-1192D	1 @ 30	1	29.4	60	1	50.6	75

* Includes 750VA transformer load for gas fired burner panel.

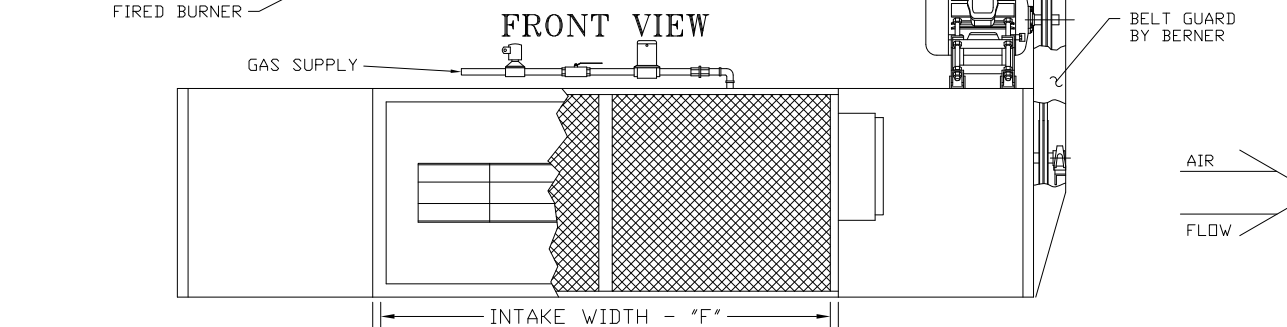
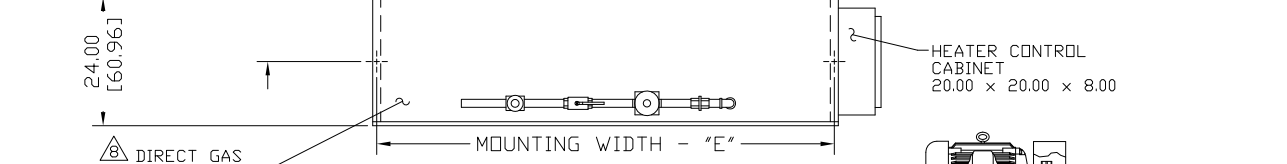
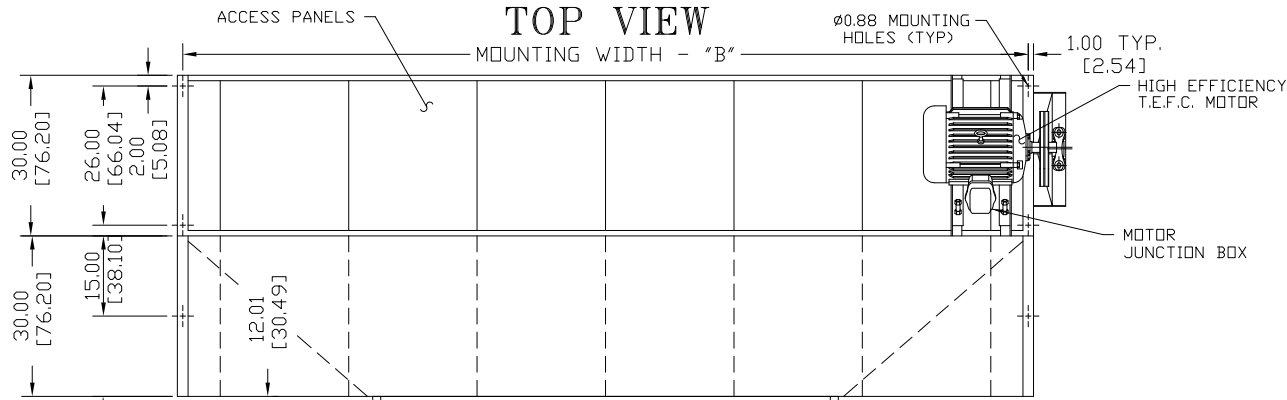
Berner reserves the right to alter specifications without prior notice.

www.berner.com Berner International 800.245-4455
111 Progress Ave. / New Castle / PA / 16101 / USA

EP-469
December, 2018

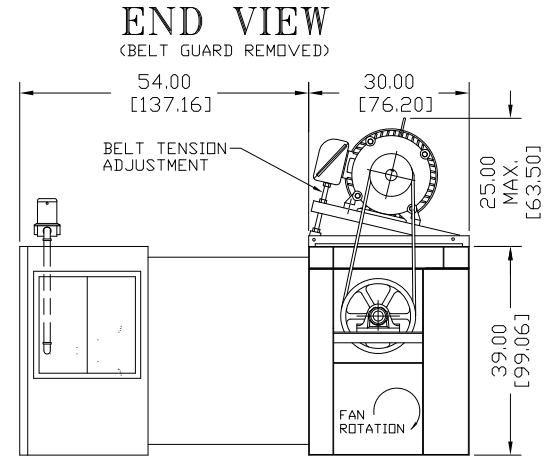
IBC30

DIRECT GAS FIRED ONE HEATER SYSTEM FRONT INTAKE TOP MOTOR MOUNT



CAUTION:

HEATER IS EQUIPPED FOR A MAXIMUM GAS SUPPLY PRESSURE OF 1# TO 5#.



NOTES:

- 1 AIR CURTAIN MUST BE INSTALLED SO AIR STREAM IS NOT OBSTRUCTED WHEN DEFLECTED 20° TO EITHER SIDE OF C.
- 2 ELECTRICAL CONNECTIONS TO BE FLEXIBLE.
- 3 FIELD VERIFY DIMENSIONS.
- 4 ANCHORS TO SUPPORTING STRUCTURE BY OTHERS.
- 5 ADEQUACY OF SUPPORTING STRUCTURE IS TO BE VERIFIED BY A PROFESSIONAL STRUCTURAL ENGINEER.
- 6 LETTER "D" IN MODEL NUMBER DESIGNATES, DIRECT GAS HEATED UNIT. "F" DESIGNATES FRONT INTAKE, "T" IS TOP MOTOR.
- 7 OPTIONAL CONTROL PANEL AVAILABLE: LEFT HAND MOUNT, RIGHT HAND MOUNT, OR REMOTE. PLEASE SPECIFY.
- 8 SUPPORT DIRECT GAS HEATERS SEPARATELY FROM UNIT.
- 9 DIMENSIONS IN INCHES (CENTIMETERS).

MODEL	NOZZLE WIDTH "A"	MOUNTING WIDTH "B"	UNIT WIDTH "C"	OVERALL WIDTH "D"	BURNER WIDTH "E"	MOUNTING WIDTH "F"	INTAKE WIDTH "G"
IBC30-1096D-FT	96.00 [243.84]	98.00 [248.92]	100.00 [254.00]	106.00 [269.24]	87.00 [220.98]	85.50 [217.17]	84.00 [213.36]
IBC30-1108D-FT	108.00 [274.32]	110.00 [279.40]	112.00 [284.48]	118.00 [299.72]	87.00 [220.98]	85.50 [217.17]	84.00 [213.36]
IBC30-1120D-FT	116.00 [294.64]	118.00 [299.72]	120.00 [304.80]	126.00 [320.04]	87.00 [220.98]	85.50 [217.17]	84.00 [213.36]
IBC30-1132D-FT	132.00 [335.28]	134.00 [340.36]	136.00 [345.44]	142.00 [360.68]	87.00 [220.98]	85.50 [217.17]	84.00 [213.36]
IBC30-1144D-FT	144.00 [365.76]	146.00 [370.84]	148.00 [375.92]	154.00 [391.16]	87.00 [220.98]	85.50 [217.17]	84.00 [213.36]
IBC30-1156D-FT	156.00 [396.24]	158.00 [401.32]	160.00 [406.40]	166.00 [421.64]	87.00 [220.98]	85.50 [217.17]	84.00 [213.36]
IBC30-1168D-FT	168.00 [426.72]	170.00 [431.80]	172.00 [436.88]	178.00 [452.12]	120.00 [304.80]	118.50 [300.99]	117.00 [297.18]
IBC30-1180D-FT	180.00 [457.20]	182.00 [462.28]	184.00 [467.36]	190.00 [482.60]	120.00 [304.80]	118.50 [300.99]	117.00 [297.18]
IBC30-1192D-FT	192.00 [487.68]	194.00 [492.76]	196.00 [497.84]	202.00 [513.08]	120.00 [304.80]	118.50 [300.99]	117.00 [297.18]

PROJECT		
LOCATION		
ARCHITECT		
ENGINEER		
DWG. NO.	IBC30-DGF1-A	TITLE: BERNER
DATE	03DEC19	MODEL IBC30 AIR CURTAIN
BY	N. GRADY	DIRECT GAS FIRED - ONE HEATER SYSTEM
REPLACES	12JUNE14	
BY	S. Beil	BERNER INTERNATIONAL CORP. NEW CASTLE, PA.