



HAZARDOUS LOCATION SERIES 16

Steam Heated Air Curtain

Data Sheet

For Door Heights To 16' (environmental separation)

STANDARD CONSTRUCTION

- Constructed for Class I, Division 1 & 2, Groups C & D
- Constructed for Class II, Division 1 & 2, Groups F & G
- Explosion proof single speed motor(s) temperature code T3C
- Interior and exterior gray zinc epoxy powder coated aluminized steel cabinet and screen
- Split cabinet construction for fan assembly removal
- External mount explosion proof junction box (One per motor)
- Aluminum impellers in zinc epoxy powder coated galvanized steel housing
- Fiberglass air diverters, factory assembled to the outlet of each blower housing
- Top Mounting only
- High efficiency Pro-V Nozzle

- Coil Features:
 - Aluminum casing
 - 5/8" copper tube with .035" wall
 - Aluminum fins
 - Leak tested at 450 psi

**2 Year
Limited
Warranty**



MODEL	Nozzle Width (in)	Max Vel. at Nozzle (fpm)	Avg. Outlet Vel. (fpm)	Air Volume (cfm)	Outlet Vel. Uniformity	Power Rating (kW)	Motor(s) @ hp	Coil Output (MBH)	Inlet Pressure (PSIG)	Condensate (lbs/hr)	Air Temp. Rise (°F)	Net Wt. (lbs)
HLC16-1060S	60.00	5,145	3,302	5,359	85%	2.80	1 @ 3	268.6	5	276.8	46°	459
HLC16-1072S	72.00	5,005	2,944	6,256	91%	2.90	1 @ 3	317.6	5	327.4	46°	508
HLC16-1084S	84.00	4,644	2,732	6,772	89%	3.00	1 @ 3	356.0	5	366.9	48°	557
HLC16-1096S	96.00	5,352	3,148	8,920	87%	4.10	1 @ 5	438.7	5	452.2	45°	693
HLC16-1108S	108.00	5,236	3,080	9,817	86%	4.20	1 @ 5	487.9	5	502.9	45°	823
HLC16-1120S	117.00	6,012	3,627	12,526	87%	4.80	1 @ 7.5	575.0	5	592.7	42°	1,022
HLC16-1132S	132.00	5,602	3,296	12,839	86%	4.90	1 @ 7.5	617.7	5	636.7	44°	1,086
HLC16-1144S	144.00	5,225	3,074	13,062	85%	5.40	1 @ 7.5	649.8	5	669.8	45°	1,135
HLC16-1156S	156.00	4,943	2,908	13,388	84%	5.50	1 @ 7.5	683.6	5	704.6	47°	1,194
HLC16-2168S	168.00	5,203	3,061	15,176	89%	7.00	1 @ 5, 1 @ 3	756.5	5	779.7	46°	1,164
HLC16-2180S	180.00	5,143	3,026	16,073	87%	7.10	1 @ 5, 1 @ 3	805.6	5	830.3	46°	1,241
HLC16-2192S	192.00	5,352	3,148	17,840	87%	8.20	2 @ 5	877.4	5	904.4	45°	1,343

NOTES:

1. Performance data based on AMCA licensed data from unheated IDC16 units.
2. Coil performance based on 65°F entering air temperature.
3. Standard connection same end supply/return (Optional: opposite end supply/return).
4. Coil should be field supplied with a solenoid valve that energizes only when air curtain is energized. Consideration must be taken for freeze protection when necessary.
5. Maximum leaving air temperature shall not exceed 120°F.
6. Consult factory for 50 Hz operation, alternate steam pressures and opposite end supply/return connections performance data.
7. Vertically mounted Hazardous Location Series air curtains not available.

See sheet EP-924 for amp draws/total load requirements.

MODEL NUMBER CONFIGURATION

HLC16-1 060 S D-F

Series	# of Motors	Opening Width	Heat	Voltage	Intake
HLC16	1, 2	060" - 192"	S=Steam Heated	D=208/3/60 E=240/3/60 H=480/3/60 I=600/3/60	T=Top F=Front

Sound level measured 10' (3m) from the unit in free field:
3, 5, 7½, (5 + 3) & (5 + 5) hp motor(s):
68 dBA, 70 dBA, 71 dBA, 72 dBA & 73 dBA

Berner reserves the right to alter specifications without prior notice.

www.berner.com Berner International 800.245-4455
111 Progress Ave. / New Castle / PA / 16101 / USA

DS-924
July, 2015



HAZARDOUS LOCATION SERIES 16

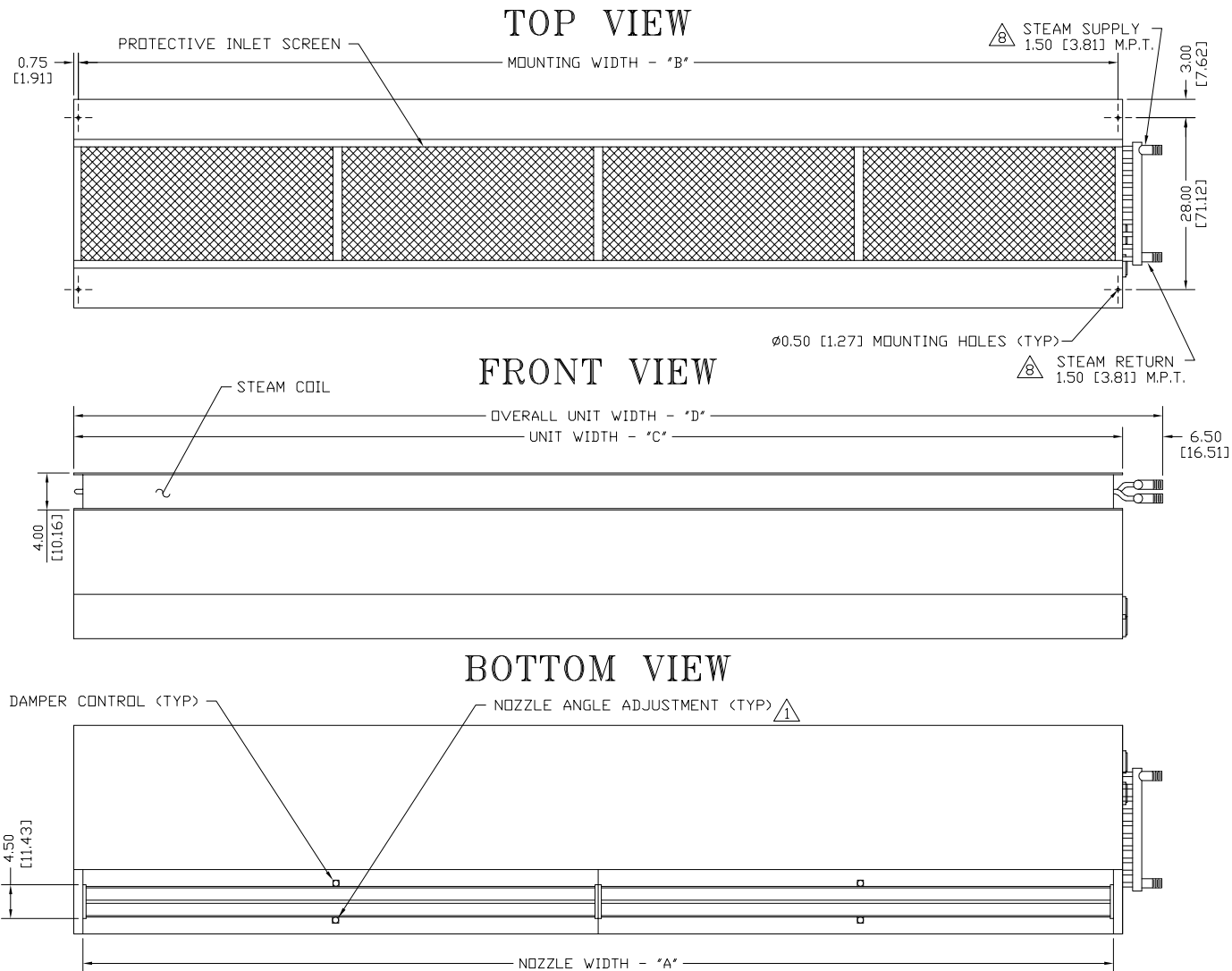
Steam Heated Air Curtain Electrical Performance Sheet

MODEL	Qty @ HP	# CKTS	208/3/60 (voltage code D) TOTAL MOTOR AMP DRAW		# CKTS	240/3/60 (voltage code E) TOTAL MOTOR AMP DRAW		# CKTS	480/3/60 (voltage code H) TOTAL MOTOR AMP DRAW		# CKTS	600/3/60 (voltage code I) TOTAL MOTOR AMP DRAW	
			AMPS PER CIRCUIT	BREAKER RATING PER CIRCUIT		AMPS PER CIRCUIT	BREAKER RATING PER CIRCUIT		AMPS PER CIRCUIT	BREAKER RATING PER CIRCUIT		AMPS PER CIRCUIT	BREAKER RATING PER CIRCUIT
HLC16-1060S HLC16-1072S HLC16-1084S	1 @ 3	1	13.1	25	1	12.2	25	1	6.1	15	1	3.9	15
HLC16-1096S HLC16-1108S	1 @ 5	1	17.0	35	1	15.8	35	1	7.9	20	1	6.3	15
HLC16-1120S HLC16-1132S HLC16-1144S HLC16-1156S	1 @ 7.5	1	23.0	50	1	22.0	45	1	11.0	25	1	8.5	20
HLC16-2168S HLC16-2180S	1 @ 3 1 @ 5	1	30.1	50	1	28.0	60	1	14.0	25	1	12.4	20
HLC16-2192S	2 @ 5	1	34.0	60	1	31.6	60	1	15.8	25	1	12.6	20

Berner reserves the right to alter specifications without prior notice.

www.berner.com Berner International 800.245-4455
111 Progress Ave. / New Castle / PA / 16101 / USA

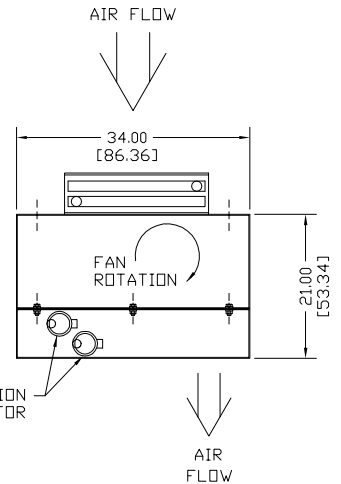
EP-924
December, 2018



HLC16

STEAM HEATED TOP INTAKE SAME END SUP./RET. HAZARDOUS LOCATION

END VIEW



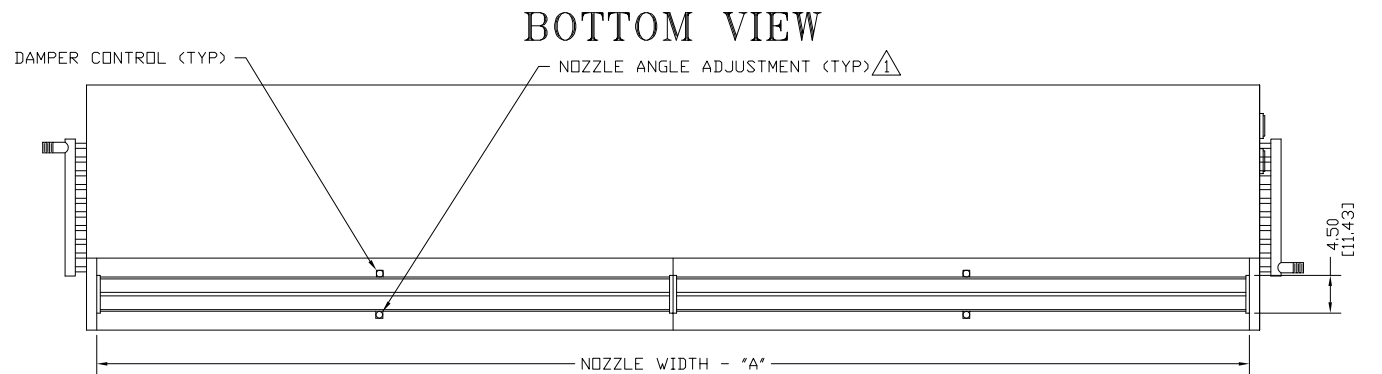
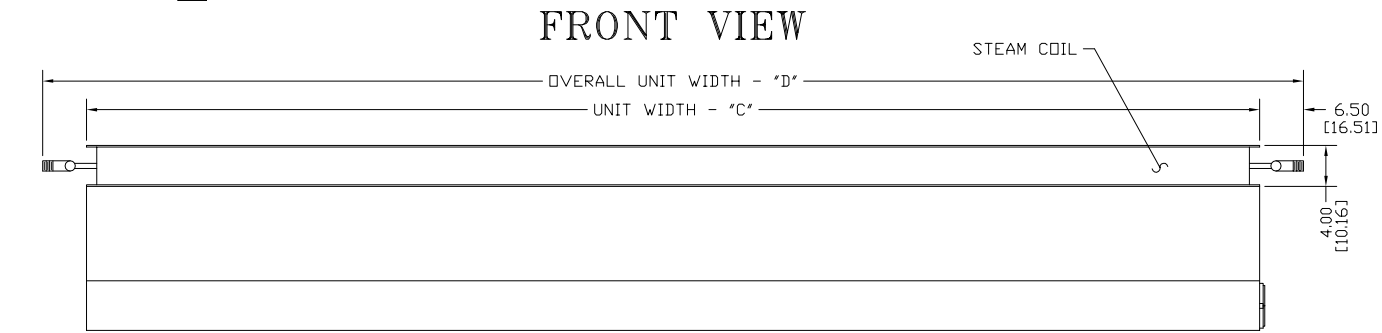
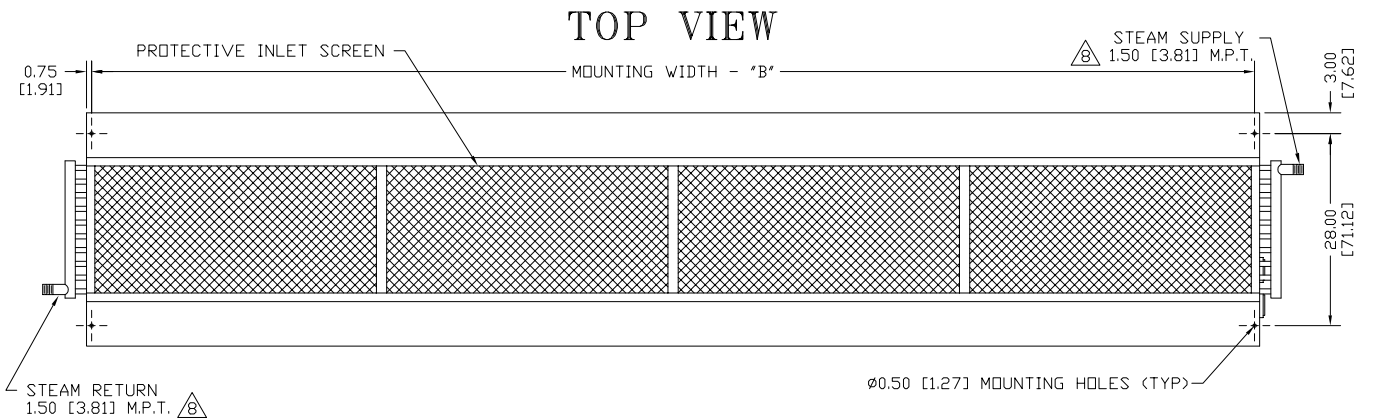
ONE HAZARDOUS LOCATION
JUNCTION BOX PER MOTOR

NOTES:

- ⚠ AIR CURTAIN MUST BE INSTALLED SO AIR STREAM IS NOT OBSTRUCTED WHEN DEFLECTED 20° TO EITHER SIDE OF \square .
- ⚠ ELECTRICAL CONNECTIONS TO BE FLEXIBLE.
- ⚠ FIELD VERIFY DIMENSIONS.
- ⚠ ANCHORS TO SUPPORTING STRUCTURE BY OTHERS.
- ⚠ ADEQUACY OF SUPPORTING STRUCTURE IS TO BE VERIFIED BY A PROFESSIONAL STRUCTURAL ENGINEER.
- ⚠ LETTER 'S' IN MODEL NUMBER DESIGNATES STEAM HEATED UNIT, THE 'T' IS FOR TOP INTAKE.
- ⚠ REMOTE OPTIONAL CONTROL PANEL AVAILABLE; NEMA 4/12 FOR NON HAZARDOUS LOCATION MOUNTING; NEMA 7/9 FOR HAZARDOUS LOCATION MOUNTING. PLEASE SPECIFY.
- ⚠ COIL CONNECTIONS AS SHOWN, OPPOSITE AND SAME END CONNECTIONS AVAILABLE, PLEASE SPECIFY.
- ⚠ DIMENSIONS IN INCHES [CENTIMETERS].

MODEL	NOZZLE WIDTH "A"	MOUNTING WIDTH "B"	UNIT WIDTH "C"	OVERALL WIDTH "D"
HLC16-1060S-T	60.00 [152.40]	61.50 [156.21]	63.00 [160.02]	69.50 [176.53]
HLC16-1072S-T	72.00 [182.88]	73.50 [186.69]	75.00 [190.50]	81.50 [207.01]
HLC16-1084S-T	84.00 [213.36]	85.50 [217.17]	87.00 [220.98]	93.50 [237.49]
HLC16-1096S-T	96.00 [243.84]	97.50 [247.65]	99.00 [251.46]	105.50 [267.97]
HLC16-1108S-T	108.00 [274.32]	109.50 [278.13]	111.00 [281.94]	117.50 [298.45]
HLC16-1120S-T	117.00 [297.18]	118.50 [300.99]	120.00 [304.80]	126.50 [321.31]
HLC16-1132S-T	132.00 [335.28]	133.50 [339.09]	135.00 [342.90]	141.50 [359.41]
HLC16-1144S-T	144.00 [365.76]	145.50 [369.57]	147.00 [373.38]	153.50 [389.89]
HLC16-1156S-T	156.00 [396.24]	157.50 [400.05]	159.00 [403.86]	165.50 [420.37]
HLC16-2168S-T	168.00 [426.72]	169.50 [430.53]	171.00 [434.34]	177.50 [450.85]
HLC16-2180S-T	180.00 [457.20]	181.50 [461.01]	183.00 [464.82]	189.50 [481.33]
HLC16-2192S-T	192.00 [487.68]	193.50 [491.49]	195.00 [495.30]	201.50 [511.81]

PROJECT		
LOCATION		
ARCHITECT		
ENGINEER		
DWG. NO.	HLC16-STMI	TITLE: BERNER
DATE	17 JUNE 14	MODEL HLC16 AIR CURTAIN
BY	S. Beil	HAZARDOUS LOCATION TOP INTAKE STEAM HEATED SYSTEM
REPLACES	-	
BY	-	BERNER INTERNATIONAL CORP. NEW CASTLE, PA.

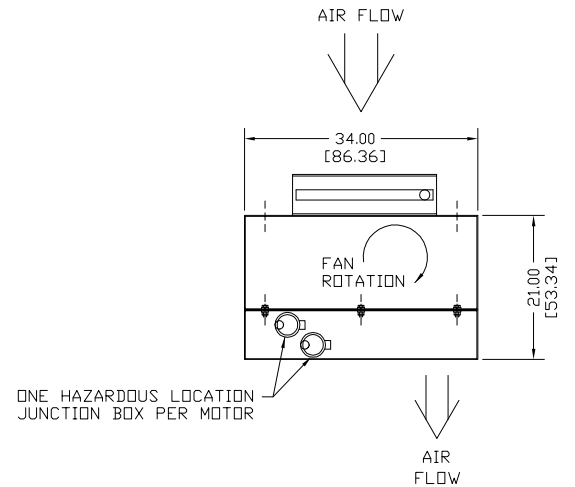


MODEL	NOZZLE WIDTH "A"	MOUNTING WIDTH "B"	UNIT WIDTH "C"	OVERALL WIDTH "D"
HLC16-1060S-T	60.00 [152.40]	61.50 [156.21]	63.00 [160.02]	76.00 [193.04]
HLC16-1072S-T	72.00 [182.88]	73.50 [186.69]	75.00 [190.50]	88.00 [223.52]
HLC16-1084S-T	84.00 [213.36]	85.50 [217.17]	87.00 [220.98]	100.00 [254.00]
HLC16-1096S-T	96.00 [243.84]	97.50 [247.65]	99.00 [251.46]	112.00 [284.48]
HLC16-1108S-T	108.00 [274.32]	109.50 [278.13]	111.00 [281.94]	124.00 [314.96]
HLC16-1120S-T	117.00 [297.18]	118.50 [300.99]	120.00 [304.80]	133.00 [337.82]
HLC16-1132S-T	132.00 [335.28]	133.50 [339.09]	135.00 [342.90]	148.00 [375.92]
HLC16-1144S-T	144.00 [365.76]	145.50 [369.57]	147.00 [373.38]	160.00 [406.40]
HLC16-1156S-T	156.00 [396.24]	157.50 [400.05]	159.00 [403.86]	172.00 [436.88]
HLC16-2168S-T	168.00 [426.72]	169.50 [430.53]	171.00 [434.34]	184.00 [467.36]
HLC16-2180S-T	180.00 [457.20]	181.50 [461.01]	183.00 [464.82]	196.00 [497.84]
HLC16-2192S-T	192.00 [487.68]	193.50 [491.49]	195.00 [495.30]	208.00 [528.32]

HLC16

STEAM HEATED TOP INTAKE OPP. END SUP./RET. HAZARDOUS LOCATION

END VIEW

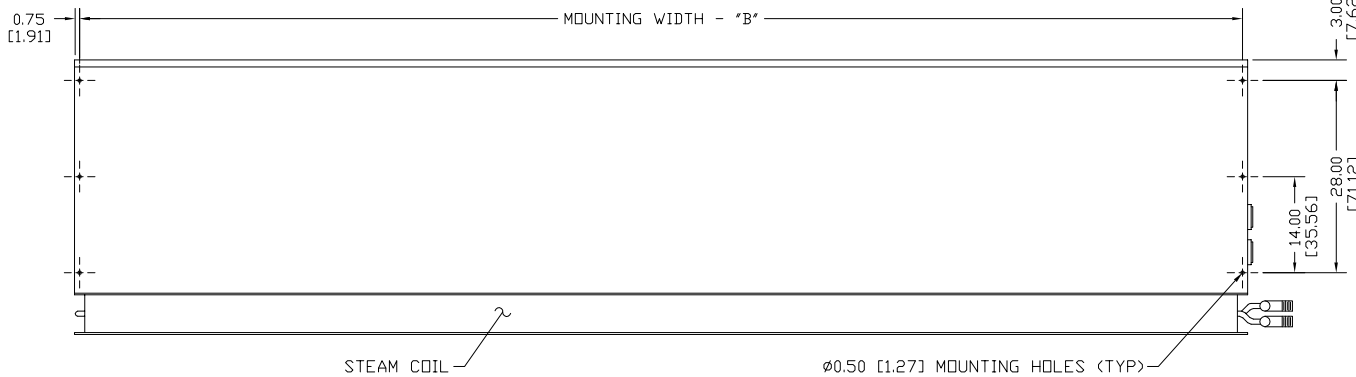


NOTES:

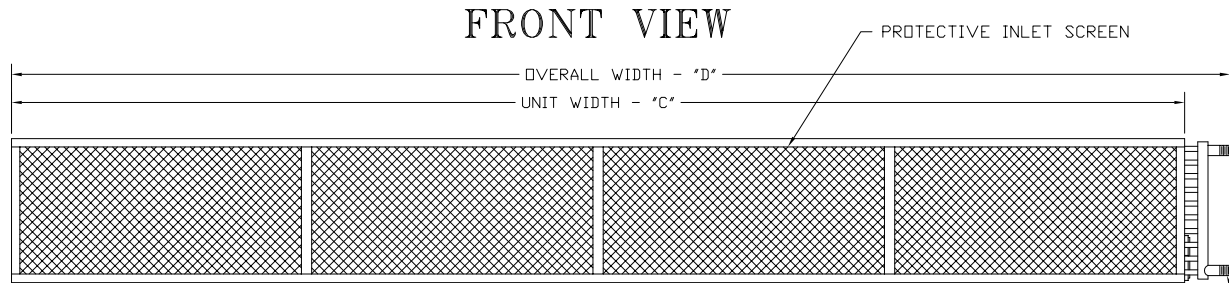
- ⚠ AIR CURTAIN MUST BE INSTALLED SO AIR STREAM IS NOT OBSTRUCTED WHEN DEFLECTED 20° TO EITHER SIDE OF C.
- ⚠ ELECTRICAL CONNECTIONS TO BE FLEXIBLE.
- ⚠ FIELD VERIFY DIMENSIONS.
- ⚠ ANCHORS TO SUPPORTING STRUCTURE BY OTHERS.
- ⚠ ADEQUACY OF SUPPORTING STRUCTURE IS TO BE VERIFIED BY A PROFESSIONAL STRUCTURAL ENGINEER.
- ⚠ LETTER 'S' IN MODEL NUMBER DESIGNATES STEAM HEATED UNIT, THE 'T' IS FOR TOP INTAKE.
- ⚠ REMOTE OPTIONAL CONTROL PANEL AVAILABLE; NEMA 4/12 FOR NON HAZARDOUS LOCATION MOUNTING; NEMA 7/9 FOR HAZARDOUS LOCATION MOUNTING. PLEASE SPECIFY.
- ⚠ COIL CONNECTIONS AS SHOWN, OPPOSITE AND SAME END CONNECTIONS AVAILABLE, PLEASE SPECIFY.
- ⚠ DIMENSIONS IN INCHES [CENTIMETERS].

PROJECT		
LOCATION		
ARCHITECT		
ENGINEER		
DWG. NO.	HLC16-STM2	TITLE: BERNER
DATE	17 JUNE 14	MODEL HLC16 AIR CURTAIN
BY	S. Beil	HAZARDOUS LOCATION TOP INTAKE STEAM HEATED SYSTEM
REPLACES	-	
BY	-	BERNER INTERNATIONAL CORP. NEW CASTLE, PA.

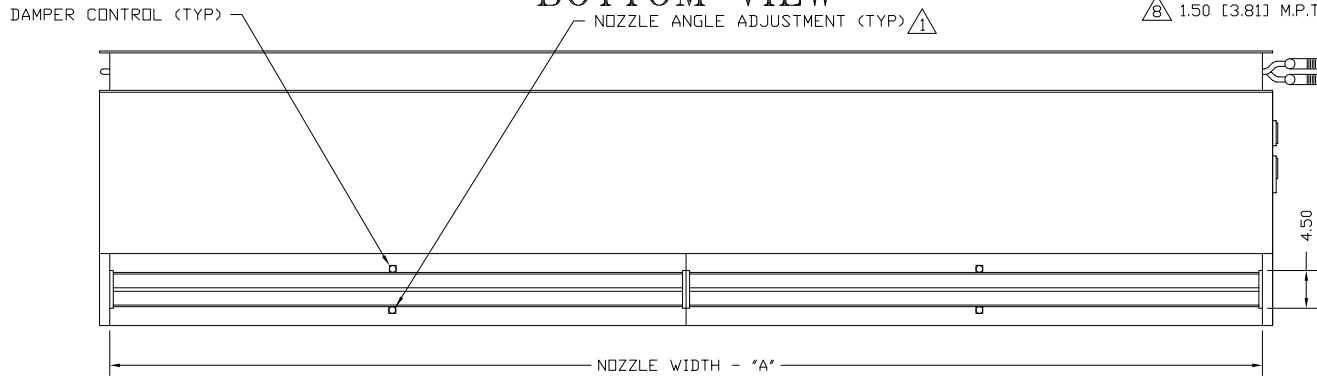
TOP VIEW



FRONT VIEW



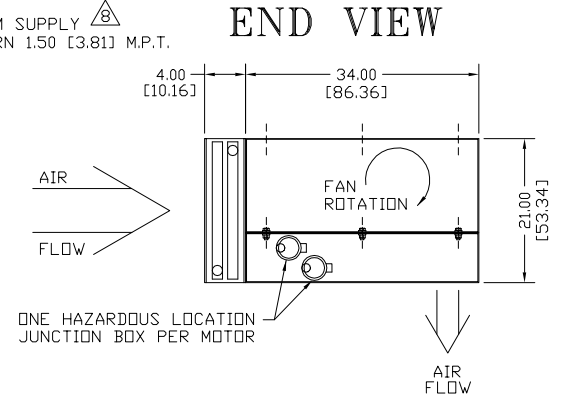
BOTTOM VIEW



HLC16

STEAM HEATED FRONT INTAKE SAME END SUP./RET. HAZARDOUS LOCATION

END VIEW



MODEL	NOZZLE WIDTH "A"	MOUNTING WIDTH "B"	UNIT WIDTH "C"	OVERALL WIDTH "D"
HLC16-1060S-F	60.00 [152.40]	61.50 [156.21]	63.00 [160.02]	69.50 [176.53]
HLC16-1072S-F	72.00 [182.88]	73.50 [186.69]	75.00 [190.50]	81.50 [207.01]
HLC16-1084S-F	84.00 [213.36]	85.50 [217.17]	87.00 [220.98]	93.50 [237.49]
HLC16-1096S-F	96.00 [243.84]	97.50 [247.65]	99.00 [251.46]	105.50 [267.97]
HLC16-1108S-F	108.00 [274.32]	109.50 [278.13]	111.00 [281.94]	117.50 [298.45]
HLC16-1120S-F	117.00 [297.18]	118.50 [300.99]	120.00 [304.80]	126.50 [321.31]
HLC16-1132S-F	132.00 [335.28]	133.50 [339.09]	135.00 [342.90]	141.50 [359.41]
HLC16-1144S-F	144.00 [365.76]	145.50 [369.57]	147.00 [373.38]	153.50 [389.89]
HLC16-1156S-F	156.00 [396.24]	157.50 [400.05]	159.00 [403.86]	165.50 [420.37]
HLC16-2168S-F	168.00 [426.72]	169.50 [430.53]	171.00 [434.34]	177.50 [450.85]
HLC16-2180S-F	180.00 [457.20]	181.50 [461.01]	183.00 [464.82]	189.50 [481.33]
HLC16-2192S-F	192.00 [487.68]	193.50 [491.49]	195.00 [495.30]	201.50 [511.81]

NOTES:

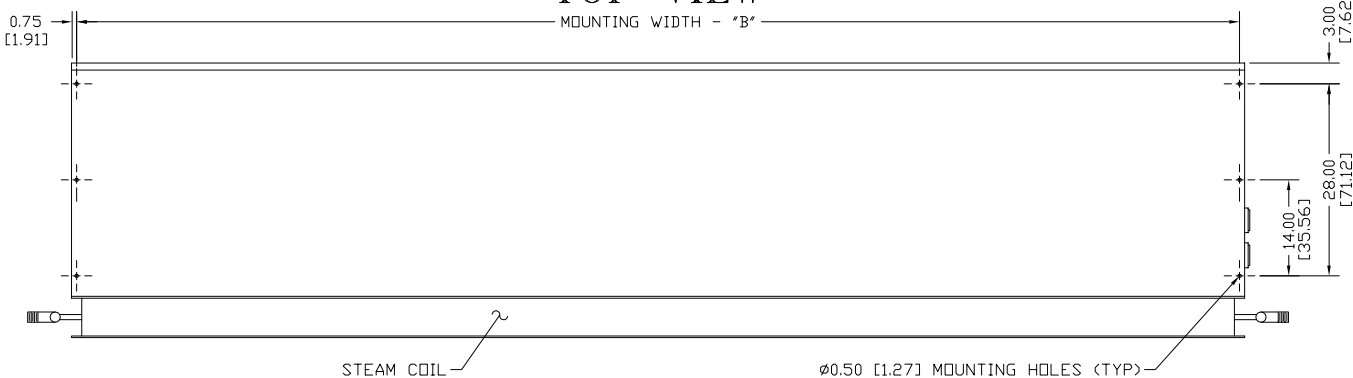
- ⚠ AIR CURTAIN MUST BE INSTALLED SO AIR STREAM IS NOT OBSTRUCTED WHEN DEFLECTED 20° TO EITHER SIDE OF \mathcal{L} .
- ⚠ ELECTRICAL CONNECTIONS TO BE FLEXIBLE.
- ⚠ FIELD VERIFY DIMENSIONS.
- ⚠ ANCHORS TO SUPPORTING STRUCTURE BY OTHERS.
- ⚠ ADEQUACY OF SUPPORTING STRUCTURE IS TO BE VERIFIED BY A PROFESSIONAL STRUCTURAL ENGINEER.
- ⚠ LETTER 'S' IN MODEL NUMBER DESIGNATES STEAM HEATED UNIT, THE 'F' IS FOR FRONT INTAKE.
- ⚠ REMOTE OPTIONAL CONTROL PANEL AVAILABLE: NEMA 4/12 FOR NON HAZARDOUS LOCATION MOUNTING; NEMA 7/9 FOR HAZARDOUS LOCATION MOUNTING. PLEASE SPECIFY.
- ⚠ COIL CONNECTIONS AS SHOWN, OPPOSITE AND SAME END CONNECTIONS AVAILABLE, PLEASE SPECIFY.
- ⚠ DIMENSIONS IN INCHES [CENTIMETERS].

PROJECT		
LOCATION		
ARCHITECT		
ENGINEER		
DWG. NO.	HLC16-STM3	TITLE: BERNER
DATE	17JUNE14	MODEL HLC16 AIR CURTAIN
BY	S. Beil	HAZARDOUS LOCATION FRONT INTAKE STEAM HEATED SYSTEM
REPLACES	-	
BY	-	BERNER INTERNATIONAL CORP. NEW CASTLE, PA.

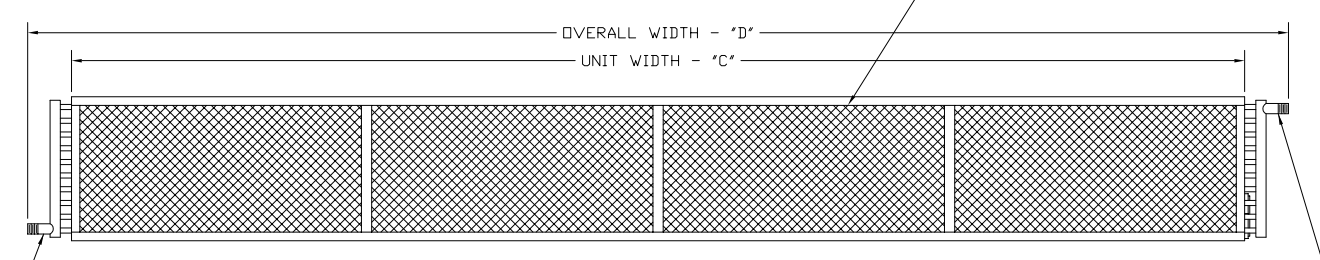
HLC 16

STEAM HEATED
FRONT INTAKE
OPP. END SUP./RET.
HAZARDOUS LOCATION

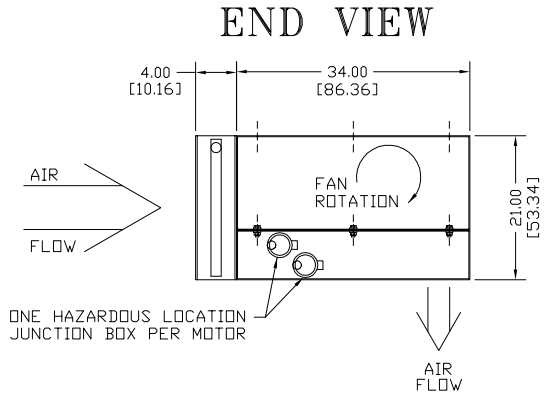
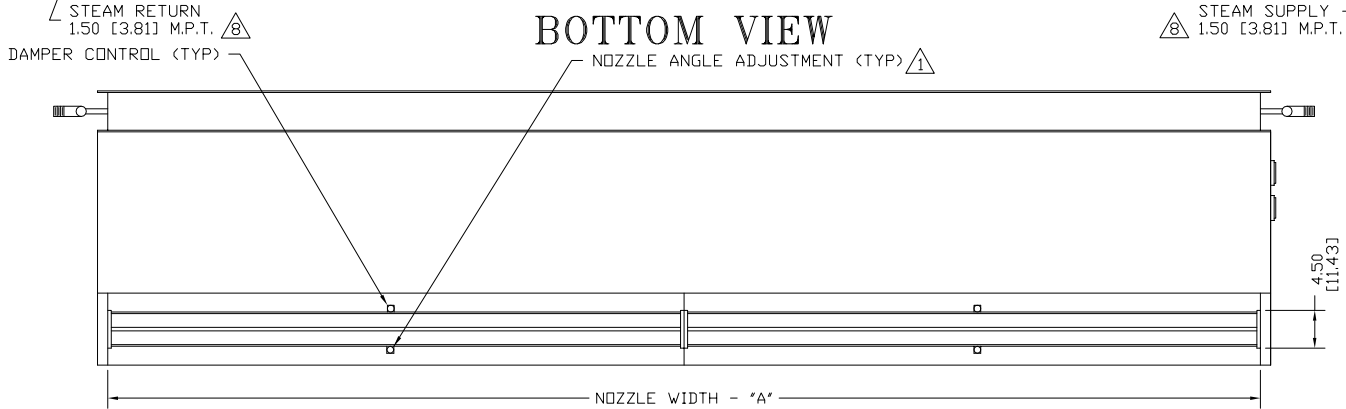
TOP VIEW



FRONT VIEW



BOTTOM VIEW



MODEL	NOZZLE WIDTH "A"	MOUNTING WIDTH "B"	UNIT WIDTH "C"	OVERALL WIDTH "D"
HLC16-1060S-F	60.00 [152.40]	61.50 [156.21]	63.00 [160.02]	76.00 [193.04]
HLC16-1072S-F	72.00 [182.88]	73.50 [186.69]	75.00 [190.50]	88.00 [223.52]
HLC16-1084S-F	84.00 [213.36]	85.50 [217.17]	87.00 [220.98]	100.00 [254.00]
HLC16-1096S-F	96.00 [243.84]	97.50 [247.65]	99.00 [251.46]	112.00 [284.48]
HLC16-1108S-F	108.00 [274.32]	109.50 [278.13]	111.00 [281.94]	124.00 [314.96]
HLC16-1120S-F	117.00 [297.18]	118.50 [300.99]	120.00 [304.80]	133.00 [337.82]
HLC16-1132S-F	132.00 [335.28]	133.50 [339.09]	135.00 [342.90]	148.00 [375.92]
HLC16-1144S-F	144.00 [365.76]	145.50 [369.57]	147.00 [373.38]	160.00 [406.40]
HLC16-1156S-F	156.00 [396.24]	157.50 [400.05]	159.00 [403.86]	172.00 [436.88]
HLC16-2168S-F	168.00 [426.72]	169.50 [430.53]	171.00 [434.34]	184.00 [467.36]
HLC16-2180S-F	180.00 [457.20]	181.50 [461.01]	183.00 [464.82]	196.00 [497.84]
HLC16-2192S-F	192.00 [487.68]	193.50 [491.49]	195.00 [495.30]	208.00 [528.32]

NOTES:

- ⚠ AIR CURTAIN MUST BE INSTALLED SO AIR STREAM IS NOT OBSTRUCTED WHEN DEFLECTED 20° TO EITHER SIDE OF C.
- ⚠ ELECTRICAL CONNECTIONS TO BE FLEXIBLE.
- ⚠ FIELD VERIFY DIMENSIONS.
- ⚠ ANCHORS TO SUPPORTING STRUCTURE BY OTHERS.
- ⚠ ADEQUACY OF SUPPORTING STRUCTURE IS TO BE VERIFIED BY A PROFESSIONAL STRUCTURAL ENGINEER.
- ⚠ LETTER 'S' IN MODEL NUMBER DESIGNATES STEAM HEATED UNIT, THE 'F' IS FOR FRONT INTAKE.
- ⚠ REMOTE OPTIONAL CONTROL PANEL AVAILABLE: NEMA 4/12 FOR NON HAZARDOUS LOCATION MOUNTING; NEMA 7/9 FOR HAZARDOUS LOCATION MOUNTING. PLEASE SPECIFY.
- ⚠ COIL CONNECTIONS AS SHOWN, OPPOSITE AND SAME END CONNECTIONS AVAILABLE, PLEASE SPECIFY.
- ⚠ DIMENSIONS IN INCHES [CENTIMETERS].

PROJECT		
LOCATION		
ARCHITECT		
ENGINEER		
DWG. NO.	HLC16-STM4	TITLE: BERNER
DATE	17JUNE14	MODEL HLC16 AIR CURTAIN
BY	S. Beil	HAZARDOUS LOCATION FRONT INTAKE STEAM HEATED SYSTEM
REPLACES	-	
BY	-	BERNER INTERNATIONAL CORP. NEW CASTLE, PA.