



# HAZARDOUS LOCATION SERIES 16

## Ambient (Unheated) Air Curtain

### Data Sheet

For Door Heights To 16' (environmental separation) and 14' (insect control)

#### STANDARD CONSTRUCTION

- Constructed for Class I, Division 1 & 2, Groups C & D
- Constructed for Class II, Division 1 & 2, Groups F & G
- Explosion proof single speed motor(s) temperature code T3C
- Interior and exterior gray zinc epoxy powder coated aluminized steel cabinet and screen
- Split cabinet construction for fan assembly removal
- External mount explosion proof junction box (One per motor)
- Aluminum impellers in zinc epoxy powder coated galvanized steel housing
- Fiberglass air diverters, factory assembled to the outlet of each blower housing
- Top Mounting only
- High efficiency Pro-V Nozzle

**5 Year  
Limited  
Warranty**



MODEL	Nozzle Width (in)	Max Vel. at Nozzle (fpm)	Avg. Outlet Vel. (fpm)	Air Volume (cfm)	Outlet Vel. Uniformity	Power Rating (kW)	Motor(s) @ hp	Net Wt. (lbs)
HLC16-1060A	60.00	5,145	3,302	5,359	85%	2.80	1 @ 3	385
HLC16-1072A	72.00	5,005	2,944	6,256	91%	2.90	1 @ 3	425
HLC16-1084A	84.00	4,644	2,732	6,772	89%	3.00	1 @ 3	465
HLC16-1096A	96.00	5,352	3,148	8,920	87%	4.10	1 @ 5	592
HLC16-1108A	108.00	5,236	3,080	9,817	86%	4.20	1 @ 5	712
HLC16-1120A	117.00	6,012	3,627	12,526	87%	4.80	1 @ 7.5	905
HLC16-1132A	132.00	5,602	3,296	12,839	86%	4.90	1 @ 7.5	955
HLC16-1144A	144.00	5,225	3,074	13,062	85%	5.40	1 @ 7.5	995
HLC16-1156A	156.00	4,943	2,908	13,388	84%	5.50	1 @ 7.5	1,045
HLC16-2168A	168.00	5,203	3,061	15,176	89%	7.00	1 @ 5, 1 @ 3	1,006
HLC16-2180A	180.00	5,143	3,026	16,073	87%	7.10	1 @ 5, 1 @ 3	1,071
HLC16-2192A	192.00	5,352	3,148	17,840	87%	8.20	2 @ 5	1,164

#### NOTES:

1. Consult factory for 50 Hz operation.
2. Performance data based on AMCA licensed data from unheated IDC16 units.
3. Vertically mounted Hazardous Location Series air curtains not available.

See sheet EP-920 for amp draws/total load requirements.

#### MODEL NUMBER CONFIGURATION

### HLC16-1 060 A D-F

Series	# of Motors	Opening Width	Heat	Voltage	Intake
HLC16	1, 2	060" - 192"	A=Ambient	D=208/3/60 E=240/3/60 H=480/3/60 I=600/3/60	T=Top F=Front

#### VELOCITY PROFILE: Model HLC16-1060A

Distance from Nozzle (ft)	3	8	13
Core Velocity (fpm)	2280	1580	1253

Sound level measured 10' (3m) from the unit in free field:  
3, 5, 7½, (5 + 3) & (5 + 5) hp motor(s):  
68 dBA, 70 dBA, 71 dBA, 72 dBA & 73 dBA

Berner reserves the right to alter specifications without prior notice.

**www.berner.com Berner International 800.245-4455**  
111 Progress Ave. / New Castle / PA / 16101 / USA

DS-920  
July, 2015



# HAZARDOUS LOCATION SERIES 16

## Ambient (Unheated) Air Curtain Electrical Performance Sheet

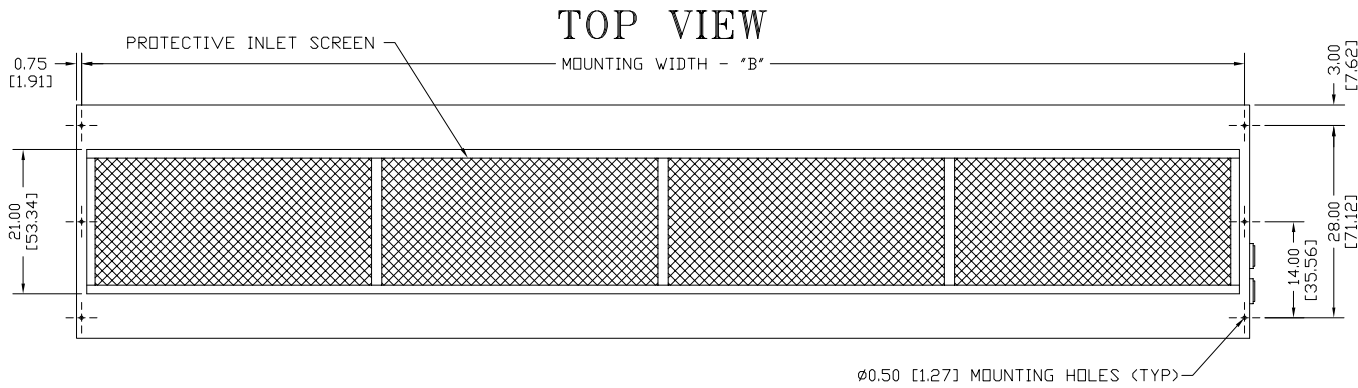
MODEL	Qty @ HP	# CKTS	208/3/60 (voltage code D) TOTAL MOTOR AMP DRAW		240/3/60 (voltage code E) TOTAL MOTOR AMP DRAW		480/3/60 (voltage code H) TOTAL MOTOR AMP DRAW		600/3/60 (voltage code I) TOTAL MOTOR AMP DRAW				
			AMPS PER CIRCUIT	BREAKER RATING PER CIRCUIT	# CKTS	AMPS PER CIRCUIT	BREAKER RATING PER CIRCUIT	# CKTS	AMPS PER CIRCUIT	BREAKER RATING PER CIRCUIT	# CKTS	AMPS PER CIRCUIT	BREAKER RATING PER CIRCUIT
HLC16-1060A HLC16-1072A HLC16-1084A	1 @ 3	1	13.1	25	1	12.2	25	1	6.1	15	1	3.9	15
HLC16-1096A HLC16-1108A	1 @ 5	1	17.0	35	1	15.8	35	1	7.9	20	1	6.3	15
HLC16-1120A HLC16-1132A HLC16-1144A HLC16-1156A	1 @ 7.5	1	23.0	50	1	22.0	45	1	11.0	25	1	8.5	20
HLC16-2168A HLC16-2180A	1 @ 3 1 @ 5	1	30.1	50	1	28.0	60	1	14.0	25	1	12.4	20
HLC16-2192A	2 @ 5	1	34.0	60	1	31.6	60	1	15.8	25	1	12.6	20

*Berner reserves the right to alter specifications without prior notice.*

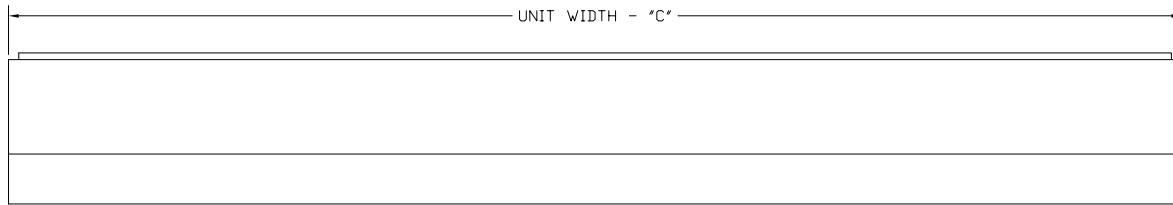
**www.berner.com Berner International 800.245-4455**  
111 Progress Ave. / New Castle / PA / 16101 / USA

EP-920  
December, 2018

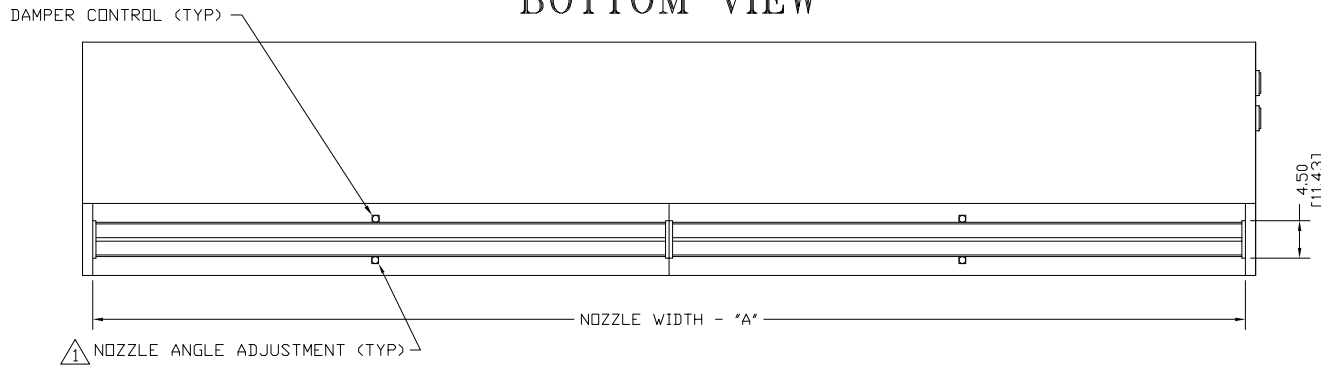
# HLC16 AMBIENT SYSTEM TOP INTAKE HAZARDOUS LOCATION



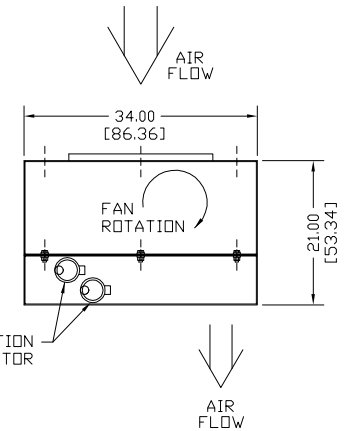
FRONT VIEW



BOTTOM VIEW



END VIEW



ONE HAZARDOUS LOCATION  
JUNCTION BOX PER MOTOR

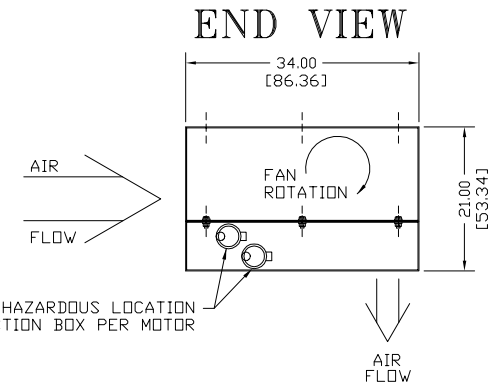
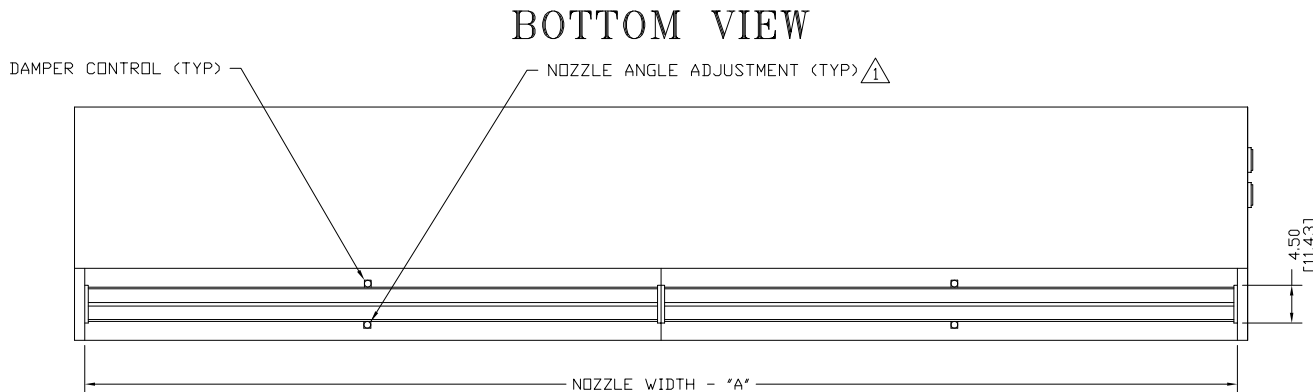
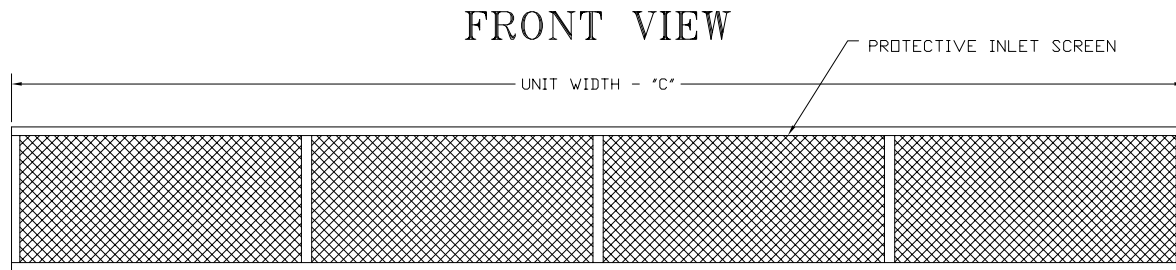
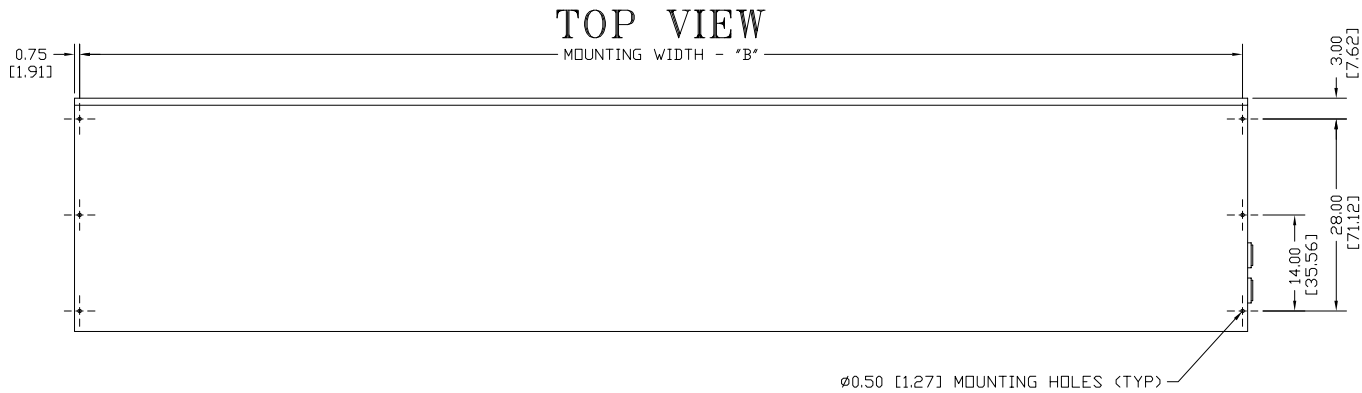
## NOTES:

- ① AIR CURTAIN MUST BE INSTALLED SO AIR STREAM IS NOT OBSTRUCTED WHEN DEFLECTED 20° TO EITHER SIDE OF  $\phi$
- ② ELECTRICAL CONNECTIONS TO BE FLEXIBLE.
- ③ FIELD VERIFY DIMENSIONS.
- ④ ANCHORS TO SUPPORTING STRUCTURE BY OTHERS.
- ⑤ ADEQUACY OF SUPPORTING STRUCTURE IS TO BE VERIFIED BY A PROFESSIONAL STRUCTURAL ENGINEER.
- ⑥ LETTER 'A' IN MODEL NUMBER DESIGNATES AMBIENT UNIT, THE 'T' IS FOR TOP INTAKE.
- ⑦ REMOTE OPTIONAL CONTROL PANEL AVAILABLE; NEMA 4/12 FOR NON HAZARDOUS LOCATION MOUNTING; NEMA 7/9 FOR HAZARDOUS LOCATION MOUNTING. PLEASE SPECIFY.
- ⑧ DIMENSIONS IN INCHES [CENTIMETERS].

MODEL ⑥	NOZZLE WIDTH "A"	MOUNTING WIDTH "B"	UNIT WIDTH "C"
HLC16-1060A-T	60.00 [152.40]	61.50 [156.21]	63.00 [160.02]
HLC16-1072A-T	72.00 [182.88]	73.50 [186.69]	75.00 [190.50]
HLC16-1084A-T	84.00 [213.36]	85.50 [217.17]	87.00 [220.98]
HLC16-1096A-T	96.00 [243.84]	97.50 [247.65]	99.00 [251.46]
HLC16-1108A-T	108.00 [274.32]	109.50 [278.13]	111.00 [281.94]
HLC16-1120A-T	117.00 [297.18]	118.50 [300.99]	120.00 [304.80]
HLC16-1132A-T	132.00 [335.28]	133.50 [339.09]	135.00 [342.90]
HLC16-1144A-T	144.00 [365.76]	145.50 [369.57]	147.00 [373.38]
HLC16-1156A-T	156.00 [396.24]	157.50 [400.05]	159.00 [403.86]
HLC16-2168A-T	168.00 [426.72]	169.50 [430.53]	171.00 [434.34]
HLC16-2180A-T	180.00 [457.20]	181.50 [461.01]	183.00 [464.82]
HLC16-2192A-T	192.00 [487.68]	193.50 [491.49]	195.00 [495.30]

PROJECT		TITLE: <b>BERNER</b>
LOCATION		MODEL HLC16 AIR CURTAIN
ARCHITECT		HAZARDOUS LOCATION TOP INTAKE AMBIENT SYSTEM
ENGINEER		
DWG. NO.	HLC16-AMBI	
DATE	17JUNE14	
BY	S. Beil	
REPLACES	-	
BY	-	BERNER INTERNATIONAL CORP. NEW CASTLE, PA.

# HLC16 AMBIENT SYSTEM FRONT INTAKE HAZARDOUS LOCATION



ONE HAZARDOUS LOCATION JUNCTION BOX PER MOTOR

MODEL ⑥	NOZZLE WIDTH "A"	MOUNTING WIDTH "B"	UNIT WIDTH "C"
HLC16-1060A-F	60.00 [152.40]	61.50 [156.21]	63.00 [160.02]
HLC16-1072A-F	72.00 [182.88]	73.50 [186.69]	75.00 [190.50]
HLC16-1084A-F	84.00 [213.36]	85.50 [217.17]	87.00 [220.98]
HLC16-1096A-F	96.00 [243.84]	97.50 [247.65]	99.00 [251.46]
HLC16-1108A-F	108.00 [274.32]	109.50 [278.13]	111.00 [281.94]
HLC16-1120A-F	117.00 [297.18]	118.50 [300.99]	120.00 [304.80]
HLC16-1132A-F	132.00 [335.28]	133.50 [339.09]	135.00 [342.90]
HLC16-1144A-F	144.00 [365.76]	145.50 [369.57]	147.00 [373.38]
HLC16-1156A-F	156.00 [396.24]	157.50 [400.05]	159.00 [403.86]
HLC16-2168A-F	168.00 [426.72]	169.50 [430.53]	171.00 [434.34]
HLC16-2180A-F	180.00 [457.20]	181.50 [461.01]	183.00 [464.82]
HLC16-2192A-F	192.00 [487.68]	193.50 [491.49]	195.00 [495.30]

## NOTES:

- ① AIR CURTAIN MUST BE INSTALLED SO AIR STREAM IS NOT OBSTRUCTED WHEN DEFLECTED 20° TO EITHER SIDE OF C.
- ② ELECTRICAL CONNECTIONS TO BE FLEXIBLE.
- ③ FIELD VERIFY DIMENSIONS.
- ④ ANCHORS TO SUPPORTING STRUCTURE BY OTHERS.
- ⑤ ADEQUACY OF SUPPORTING STRUCTURE IS TO BE VERIFIED BY A PROFESSIONAL STRUCTURAL ENGINEER.
- ⑥ LETTER "A" IN MODEL NUMBER DESIGNATES AMBIENT UNIT, THE "F" IS FOR FRONT INTAKE.
- ⑦ REMOTE OPTIONAL CONTROL PANEL AVAILABLE; NEMA 4/12 FOR NON HAZARDOUS LOCATION MOUNTING; NEMA 7/9 FOR HAZARDOUS LOCATION MOUNTING. PLEASE SPECIFY.
- ⑧ DIMENSIONS IN INCHES (CENTIMETERS).

PROJECT		TITLE: <b>BERNER</b>
LOCATION		MODEL HLC16 AIR CURTAIN
ARCHITECT		HAZARDOUS LOCATION FRONT INTAKE AMBIENT SYSTEM
ENGINEER		
DWG. NO.	HLC16-AMB2	BY: <b>S. Beil</b>
DATE	17 JUNE 14	
REPLACES	-	BERNER INTERNATIONAL CORP.
BY	-	NEW CASTLE, PA.