



ARCHITECTURAL HIGH PERFORMANCE 10

Electric Heated Air Curtain

Data Sheet

For Mounting Heights To 10' (environmental separation)

STANDARD CONSTRUCTION

- 12 ¼" high x 21 ¼" deep
- 1/2 hp motor(s) - ten speeds
- Factory installed Intelliswitch digital controller
- Clear satin anodized aluminum exterior (Optional: Custom Color or Stainless)
- Wall & Top Mounting
- High efficiency, low noise Pro-V Nozzle
- Patented venturi open helical element with point suspension
- Alternate kW: see sheet EP-212
- Optional: Berner AIR™ (smart controller & app), includes BACnet
- Optional: Berner PureAir™ Package - consult factory



Berner International certifies that the air curtains shown herein are licensed to bear the AMCA Seal. The ratings shown are based on tests and procedures performed in accordance with AMCA Publication 211 and comply with the requirements of the AMCA Certified Ratings Program. Rated data shown is for base (electric heated) units. The AMCA Certified Ratings Seal applies to airflow rate, average outlet velocity, outlet velocity uniformity, velocity projection and power rating at free delivery only.

2 Year Limited Warranty



indoor use

MODEL	Nozzle Width (in)	Max Vel. at Nozzle (fpm)	Avg. Outlet Vel. (fpm)	Air Volume (cfm)	Outlet Vel. Uniformity	Power Rating (kW)	Motor(s) @ hp	Max. Electric Capacity (kW)	Heater Output (MBH)	Air Temp. Rise (°F)	Net Wt. (lbs)
AHD10-1036E	36.75	6,611	2,171	1,385	86%	0.52	1 @ ½	14	47.8	32°	71
AHD10-1042E	42.75	7,591	1,948	1,446	75%	0.55	1 @ ½	14	47.8	30°	74
AHD10-1048E	48.75	6,700	1,772	1,500	54%	0.55	1 @ ½	14	47.8	29°	76
AHD10-2060E	60.75	6,907	2,106	2,221	59%	0.86	2 @ ½	21	71.7	30°	137
AHD10-2072E	74.50	6,611	2,142	2,770	86%	1.04	2 @ ½	28	95.6	32°	142
AHD10-2084E	86.50	7,591	1,926	2,892	75%	1.10	2 @ ½	28	95.6	30°	152
AHD10-2096E	98.50	6,700	1,754	3,000	54%	1.10	2 @ ½	28	95.6	29°	157
AHD10-3108E	112.25	6,611	2,132	4,155	86%	1.56	3 @ ½	42	143.3	32°	188
AHD10-3120E	118.25	6,611	2,054	4,216	75%	1.59	3 @ ½	42	143.3	31°	193

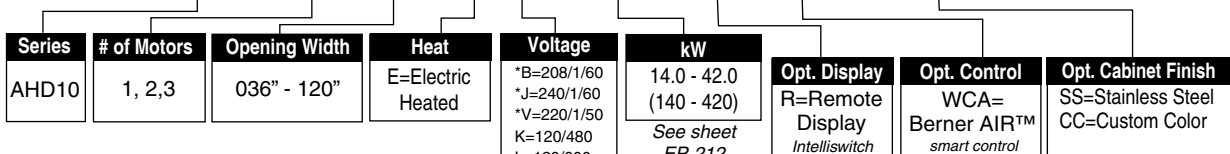
NOTES:

1. Operation at 50 Hz will generate approximately a 17% reduction in air performance.
2. Single Point Power Connection – consult factory

See sheet EP-212 for amp draws/total load requirements and alternate kW.

MODEL NUMBER CONFIGURATION

AHD10-1 036 E B-140 -R-WCA-SS



for Standard offering, leave options (Opt.) blank

VELOCITY PROJECTION: Model AHD10-1036E					
Distance from Nozzle (in)	40	80	120	160	200
Core Velocity (fpm)	2589	1611	1467	1189	1078
Uniformity (%)	84	92	92	93	96

Sound level measured 10' (3m) from the unit in free field:

- 1 motor: Min./Max. Speed: 53/56 dBA
- 2 motors: Min./Max. Speed: 56/59 dBA
- 3 motors: Min./Max. Speed: 59/62 dBA

Sound data is not AMCA certified.

Berner reserves the right to alter specifications without prior notice.

www.berner.com Berner International 800.245.4455
111 Progress Ave. / New Castle / PA / 16101 / USA

DS-212D
January, 2021



ARCHITECTURAL HIGH PERFORMANCE 10

Electric Heated Air Curtain Electrical Performance Sheet

MODEL	kW (code)	Temp Rise °F	208/1/60 (voltage code B) MOTOR AMP DRAW = 4.3 each			240/1/60 (voltage code J) or 220/1/50 (voltage code V) MOTOR AMP DRAW = 4.3 each			208/3/60 (voltage code X) MOTOR AMP DRAW = 4.3 each			240/3/60 (voltage code Y) MOTOR AMP DRAW = 4.3 each		
			# CKTS	AMPS PER CIRCUIT (including motor)	BREAKER RATING PER CIRCUIT	# CKTS	AMPS PER CIRCUIT (including motor)	BREAKER RATING PER CIRCUIT	# CKTS	AMPS PER CIRCUIT (including motor)	BREAKER RATING PER CIRCUIT	# CKTS	AMPS PER CIRCUIT (including motor)	BREAKER RATING PER CIRCUIT
AHD10-1036E AHD10-1042E AHD10-1048E	14 (140)	32	2	26.8/44.9	35/60	2	23.8/38.9	30/50	1	43.2	60	1	38.0	50
	10 (100)	23	2	20.3/32.0	30/40	1	46.0	60	1	32.1	45	1	28.4	40
	8 (080)	19	1	42.8	60	1	37.6	50	1	26.5	35	1	23.5	30
	6 (060)	14	1	33.1	45	1	29.3	40	1	20.1	30	1	18.7	25
AHD10-2060E	21 (210)	32	-	N/A	N/A	-	N/A	N/A	2	28.0/38.9	35/50	2	25.4/33.7	35/45
	15 (150)	23	2	32.6/48.1	40/60	2	29.4/41.7	40/60	1	50.2	60	1	44.7	60
	12 (120)	19	2	27.8/38.5	35/50	2	25.3/33.3	35/45	1	41.9	60	1	37.5	50
	9 (090)	14	2	23.0/28.8	30/40	1	46.1	60	1	33.6	45	1	30.3	40
AHD10-2072E AHD10-2084E AHD10-2096E	28 (280)	32	-	N/A	N/A	-	N/A	N/A	2	47.5/38.9	60/50	2	42.3/33.7	60/45
	20 (200)	23	-	N/A	N/A	2	N/A	N/A	2	36.4/27.8	45/35	2	32.7/24.1	40/35
	16 (160)	19	2	47.1/38.5	60/50	2	41.9/33.3	60/45	2	30.8/22.2	40/30	1	47.1	60
	12 (120)	14	2	37.4/28.8	50/40	2	33.6/25.0	45/35	1	41.9	60	1	37.5	50
AHD10-3108E AHD10-3120E	42 (420)	32	-	N/A	N/A	-	N/A	N/A	3	51.8/38.9/38.9	60/50/50	3	46.6/33.7/33.7	60/45/45
	30 (300)	23	-	N/A	N/A	-	N/A	N/A	3	40.7/27.8/27.8	50/35/35	2	37.0/48.1	45/60
	24 (240)	19	-	N/A	N/A	-	N/A	N/A	2	35.1/44.4	45/60	2	32.1/38.5	40/50
	18 (180)	14	-	N/A	N/A	-	N/A	N/A	2	29.6/33.3	35/45	2	27.3/28.9	35/40



ARCHITECTURAL HIGH PERFORMANCE 10

Electric Heated Air Curtain

Electrical Performance Sheet

MODEL	kW (code)	Temp Rise °F	120/1/60 - 480/3/60 (voltage code K) 120V MOTOR AMP DRAW = 8.5 each				208/1/60 - 480/3/60 (voltage code S) 208V MOTOR AMP DRAW = 4.3 each				240/1/60 - 480/3/60 (voltage code U) 240V MOTOR AMP DRAW = 4.3 each				380/3/50 (voltage code O) MOTOR AMP DRAW = 4.3 each					
			# CKTS	AMPS PER CIRCUIT		BREAKER RATING PER CIRCUIT		# CKTS	AMPS PER CIRCUIT		BREAKER RATING PER CIRCUIT		# CKTS	AMPS PER CIRCUIT		BREAKER RATING PER CIRCUIT		# CKTS	AMPS PER CIRCUIT (including motor)	BREAKER RATING PER CIRCUIT
				120V/1	480V/3	120V/1	480V/3		208V/1	480V/3	208V/1	480V/3		240V/1	480V/3	240V/1	480V/3			
AHD10-1036E AHD10-1042E AHD10-1048E	14 (140)	32	2	8.5	16.8	15	25	2	4.3	16.8	15	25	2	4.3	16.8	15	25	1	25.6	35
	10 (100)	23	2	8.5	12.0	15	15	2	4.3	12.0	15	15	2	4.3	12.0	15	15	1	19.5	25
	8 (080)	19	2	8.5	9.6	15	15	2	4.3	9.6	15	15	2	4.3	9.6	15	15	1	16.5	25
	6 (060)	14	2	8.5	7.2	15	15	2	4.3	7.2	15	15	2	4.3	7.2	15	15	1	13.4	20
AHD10-2060E	21 (210)	32	2	17.0	25.3	20	35	2	8.6	25.3	15	35	2	8.6	25.3	15	35	2	40.5	50
	15 (150)	23	2	17.0	18.0	20	25	2	8.6	18.0	15	25	2	8.6	18.0	15	25	1	31.4	40
	12 (120)	19	2	17.0	14.4	20	20	2	8.6	14.4	15	20	2	8.6	14.4	15	20	1	26.8	35
	9 (090)	14	2	17.0	10.8	20	15	2	8.6	10.8	15	15	2	8.6	10.8	15	15	1	22.3	30
AHD10-2072E AHD10-2084E AHD10-2096E	28 (280)	32	2	17.0	33.7	20	45	2	8.6	33.7	15	45	2	8.6	33.7	15	45	2	29.9/21.3	40/30
	20 (200)	23	2	17.0	24.1	20	35	2	8.6	24.1	15	35	2	8.6	24.1	15	35	1	39.0	50
	16 (160)	19	2	17.0	19.2	20	25	2	8.6	19.2	15	25	2	8.6	19.2	15	25	1	32.9	45
	12 (120)	14	2	17.0	14.4	20	20	2	8.6	14.4	15	20	2	8.6	14.4	15	20	1	26.8	35
AHD10-3108E AHD10-3120E	42 (420)	32	3	25.5	33.7/16.8	30	45/25	3	12.9	33.7/16.8	20	45/25	3	12.9	33.7/16.8	20	45/25	2	34.2/42.5	45/60
	30 (300)	23	2	25.5	36.1	30	50	2	12.9	36.1	20	50	2	12.9	36.1	20	50	2	43.3/15.2	60/20
	24 (240)	19	2	25.5	28.9	30	40	2	12.9	28.9	20	40	2	12.9	28.9	20	40	2	37.2/12.2	45/20
	18 (180)	14	2	25.5	21.7	30	30	2	12.9	21.7	20	30	2	12.9	21.7	20	30	1	40.2	50



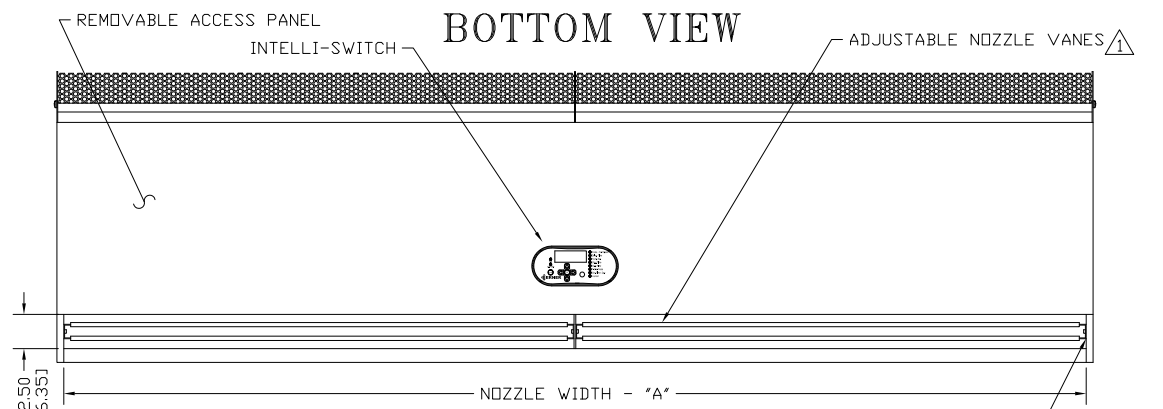
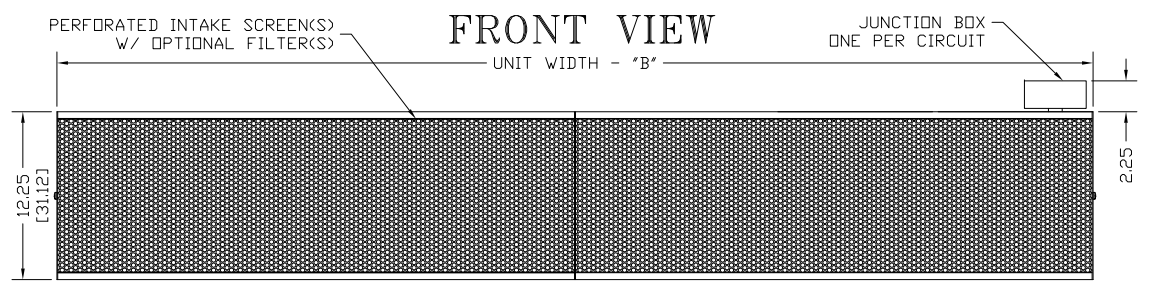
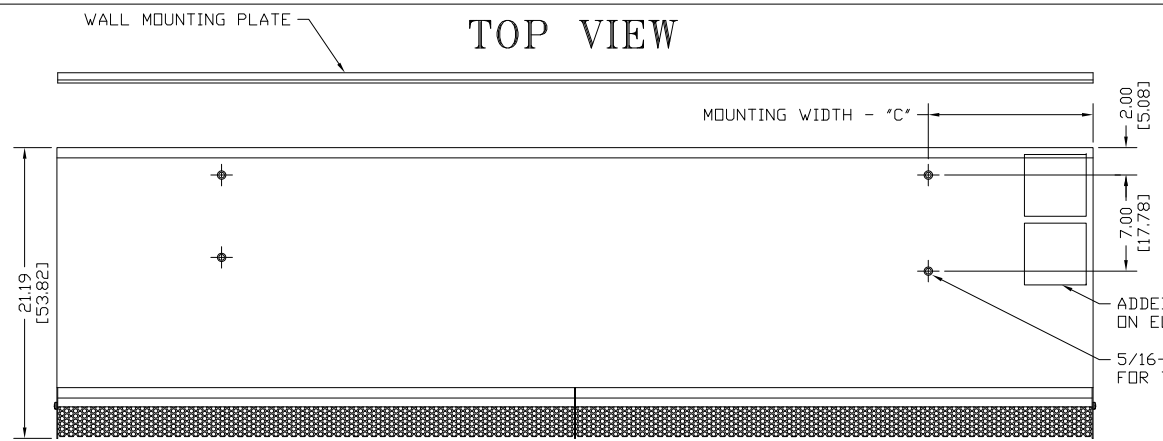
ARCHITECTURAL HIGH PERFORMANCE 10

Electric Heated Air Curtain

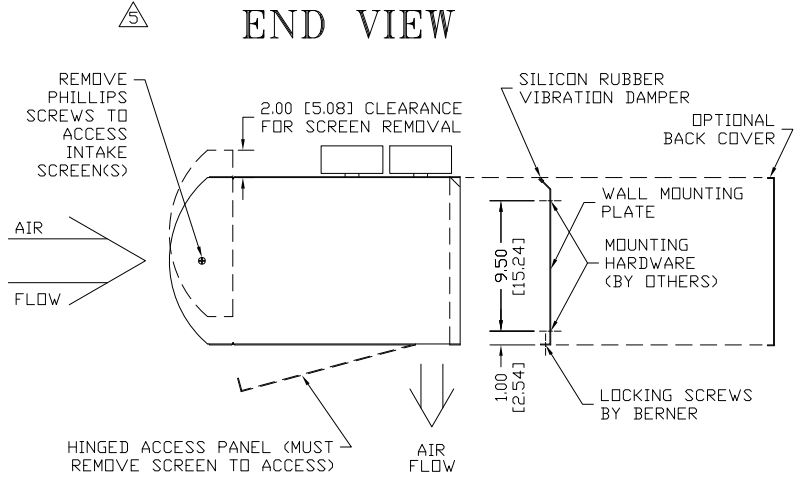
Electrical Performance Sheet

MODEL	kW (code)	Temp Rise °F	120/1/60 - 600/3/60 (voltage code L) 120V MOTOR AMP DRAW = 8.5 each				208/1/60 - 600/3/60 (voltage code M) 208V MOTOR AMP DRAW = 4.3 each				240/1/60 - 600/3/60 (voltage code N) 240V MOTOR AMP DRAW = 4.3 each						
			# CKTS	AMPS PER CIRCUIT		BREAKER RATING PER CIRCUIT		# CKTS	AMPS PER CIRCUIT		BREAKER RATING PER CIRCUIT		# CKTS	AMPS PER CIRCUIT		BREAKER RATING PER CIRCUIT	
				120V/1	600V/3	120V/1	600V/3		208V/1	600V/3	208V/1	600V/3		240V/1	600V/3	240V/1	600V/3
AHD10-1036E AHD10-1042E AHD10-1048E	14 (140)	32	2	8.5	13.5	15	20	2	4.3	13.5	15	20	2	4.3	13.5	15	20
	10 (100)	23	2	8.5	9.6	15	15	2	4.3	9.6	15	15	2	4.3	9.6	15	15
	8 (080)	19	2	8.5	7.7	15	15	2	4.3	7.7	15	15	2	4.3	7.7	15	15
	6 (060)	14	2	8.5	5.8	15	15	2	4.3	5.8	15	15	2	4.3	5.8	15	15
AHD10-2060E	21 (210)	32	2	17.0	20.2	20	30	2	8.6	20.2	15	30	2	8.6	20.2	15	30
	15 (150)	23	2	17.0	14.4	20	20	2	8.6	14.4	15	20	2	8.6	14.4	15	20
	12 (120)	19	2	17.0	11.5	20	15	2	8.6	11.5	15	15	2	8.6	11.5	15	15
	9 (090)	14	2	17.0	8.7	20	15	2	8.6	8.7	15	15	2	8.6	8.7	15	15
AHD10-2072E AHD10-2084E AHD10-2096E	28 (280)	32	2	17.0	26.9	20	35	2	8.6	26.9	15	35	2	8.6	26.9	15	35
	20 (200)	23	2	17.0	19.2	20	25	2	8.6	19.2	15	25	2	8.6	19.2	15	25
	16 (160)	19	2	17.0	15.4	20	20	2	8.6	15.4	15	20	2	8.6	15.4	15	20
	12 (120)	14	2	17.0	11.5	20	15	2	8.6	11.5	15	15	2	8.6	11.5	15	15
AHD10-3108E AHD10-3120E	42 (420)	32	2	25.5	40.4	30	60	2	12.9	40.4	20	60	2	12.9	40.4	20	60
	30 (300)	23	2	25.5	28.9	30	40	2	12.9	28.9	20	40	2	12.9	28.9	20	40
	24 (240)	19	2	25.5	23.1	30	30	2	12.9	23.1	20	30	2	12.9	23.1	20	30
	18 (180)	14	2	25.5	17.3	30	25	2	12.9	17.3	20	25	2	12.9	17.3	20	25

AHD10 ELECTRIC HEATED



MODEL ^⑥	ELECTRIC HEATER OUTPUT KW	NOZZLE WIDTH "A"	UNIT WIDTH "B"	MOUNTING WIDTH "C"
AHD10-1036E	14.0	36.75 [93.35]	37.75 [95.89]	8.00 [20.32]
AHD10-1042E	14.0	42.75 [108.59]	43.75 [111.13]	8.00 [20.32]
AHD10-1048E	14.0	48.75 [123.83]	49.75 [126.37]	10.00 [25.40]
AHD10-2060E	21.0	60.75 [153.31]	61.75 [156.85]	8.00 [20.32]
AHD10-2072E	28.0	74.50 [189.23]	75.50 [191.77]	12.00 [30.48]
AHD10-2084E	28.0	86.50 [219.71]	87.50 [217.17]	12.00 [30.48]
AHD10-2096E	28.0	98.50 [250.19]	99.50 [252.73]	27.00 [68.58]
AHD10-3108E	42.0	112.25 [285.12]	113.25 [287.66]	27.00 [68.58]
AHD10-3120E	42.0	118.25 [300.36]	119.25 [302.90]	27.00 [68.58]



NOTES:

- ① AIR CURTAIN MUST BE INSTALLED SO AIR STREAM IS NOT OBSTRUCTED WHEN DEFLECTED 20° TO EITHER SIDE OF C.
- ② ELECTRICAL CONNECTIONS TO BE FLEXIBLE.
- ③ FIELD VERIFY DIMENSIONS.
- ④ ANCHORS TO SUPPORTING STRUCTURE BY OTHERS.
- ⑤ ADEQUACY OF SUPPORTING STRUCTURE IS TO BE VERIFIED BY A PROFESSIONAL STRUCTURAL ENGINEER.
- ⑥ LETTER "E" IN MODEL NUMBER DESIGNATES ELECTRIC HEATED UNIT.
- △ DIMENSIONS IN INCHES (CENTIMETERS).

PROJECT		TITLE:	BERNER
LOCATION		MODEL AHD10 AIR CURTAIN	
ARCHITECT		ELECTRIC HEATED SYSTEM	
ENGINEER		BERNER INTERNATIONAL CORP. NEW CASTLE, PA.	
DWG. NO.	AHD10-ELE	DATE	30MAY2017
BY	S. Beil	REPLACES	31MAR2017
BY	S. Beil	BY	S. Beil