



ARCHITECTURAL HIGH PERFORMANCE 10

Ambient (Unheated) Air Curtain

Data Sheet

For Mounting Heights To 10' (environmental separation) and 8' (insect control)

STANDARD CONSTRUCTION

- 12 ¼" high x 21 ¼" deep
- 1/2 hp motor(s) - ten speeds
- Factory installed Intelliswitch digital controller
- Clear satin anodized aluminum exterior (Optional: Custom Color or Stainless)
- Wall & Top Mounting
- High efficiency, low noise Pro-V Nozzle
- Optional: Filter (washable)
- Optional: Berner AIR™ (smart controller & app), includes BACnet
- Optional: Berner PureAir™ Package - consult factory



Berner International certifies that the air curtains shown herein are licensed to bear the AMCA Seal. The ratings shown are based on tests and procedures performed in accordance with AMCA Publication 211 and comply with the requirements of the AMCA Certified Ratings Program. Rated data shown is for base (unheated) units. The AMCA Certified Ratings Seal applies to airflow rate, average outlet velocity, outlet velocity uniformity, velocity projection and power rating at free delivery only.

5 Year Limited Warranty



indoor use

MODEL	Nozzle Width (in)	Max Vel. at Nozzle (fpm)	Avg. Outlet Vel. (fpm)	Air Volume (cfm)	Outlet Vel. Uniformity	Power Rating (kW)	Motor(s) @ hp	Net Wt. (lbs)
AHD10-1036A	36.75	5,483	2,453	1,565	90%	0.54	1 @ ½	65
AHD10-1042A	42.75	5,621	1,873	1,390	86%	0.52	1 @ ½	68
AHD10-1048A	48.75	5,838	1,674	1,417	71%	0.52	1 @ ½	70
AHD10-2060A	60.75	7,300	2,408	2,540	59%	0.90	2 @ ½	125
AHD10-2072A	74.50	5,483	2,420	3,130	90%	1.08	2 @ ½	130
AHD10-2084A	86.50	5,621	1,851	2,780	86%	1.04	2 @ ½	140
AHD10-2096A	98.50	5,838	1,657	2,834	71%	1.04	2 @ ½	145
AHD10-3108A	112.25	5,483	2,409	4,695	90%	1.62	3 @ ½	170
AHD10-3120A	118.25	5,483	2,202	4,520	86%	1.60	3 @ ½	175

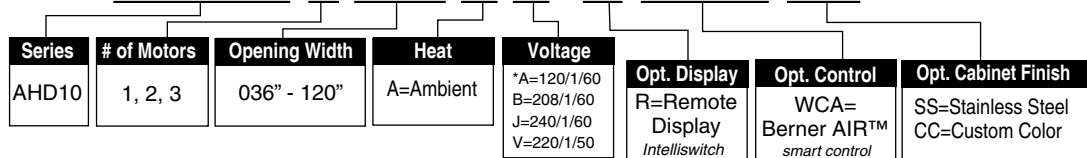
NOTES:

1. Operation at 50 Hz will generate approximately a 17% reduction in air performance.
2. Outdoor installation – consult factory.

See sheet EP-210 for amp draws/total load requirements.

MODEL NUMBER CONFIGURATION

AHD10-1 036 A A- R-WCA-SS



*Suitable for 50hz for Standard offering, leave options (Opt.) blank

VELOCITY PROJECTION: Model AHD10-1036A					
Distance from Nozzle (in)	40	80	120	160	200
Core Velocity (fpm)	1356	1011	978	856	794
Uniformity (%)	91	92	90	86	90

Sound level measured 10' (3m) from the unit in free field:

- 1 motor: Min./Max. Speed: 53/56 dBA
- 2 motors: Min./Max. Speed: 56/59 dBA
- 3 motors: Min./Max. Speed: 59/62 dBA

Sound data is not AMCA certified.

Berner reserves the right to alter specifications without prior notice.

www.berner.com Berner International 800.245.4455
111 Progress Ave. / New Castle / PA / 16101 / USA

DS-210D
January, 2021



ARCHITECTURAL HIGH PERFORMANCE 10

Ambient (Unheated) Air Curtain Electrical Performance Sheet

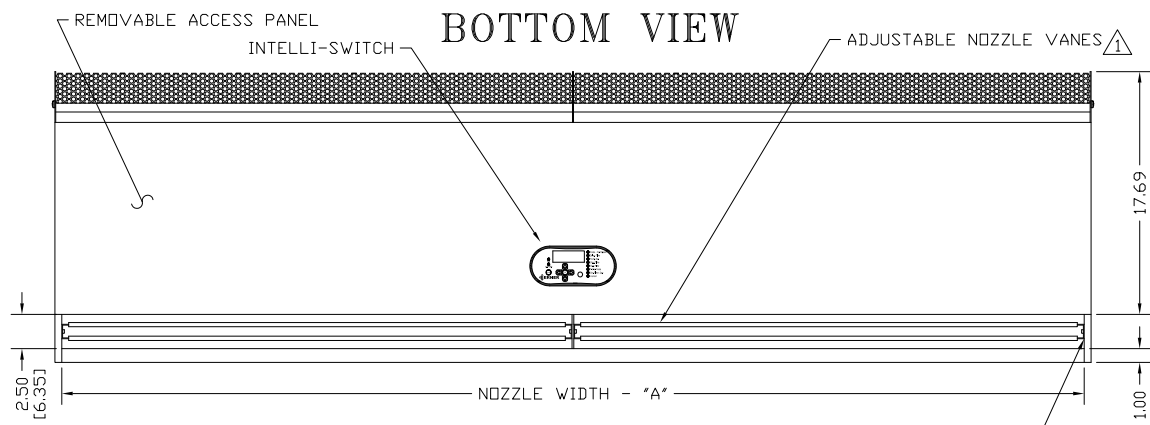
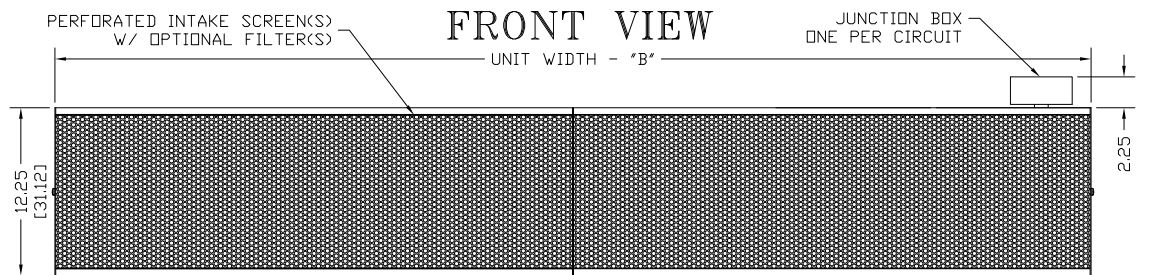
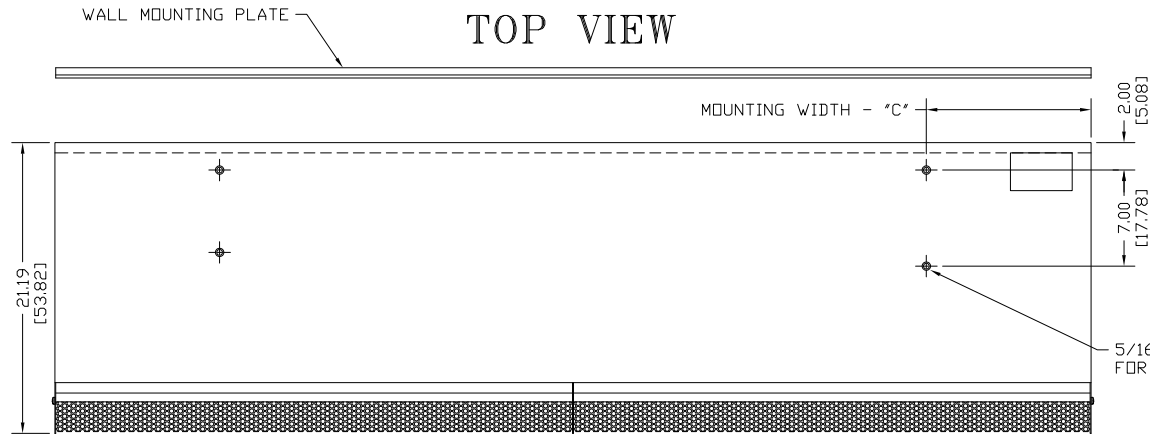
MODEL	# CKTS	120/1/60 (voltage code A) MOTOR AMP DRAW = 8.5 each		# CKTS	208/1/60 (voltage code B) MOTOR AMP DRAW = 4.3 each		# CKTS	240/1/60 (voltage code J) or 220/1/50 (voltage code V) MOTOR AMP DRAW = 4.3 each	
		AMPS PER CIRCUIT	BREAKER RATING PER CIRCUIT		AMPS PER CIRCUIT	BREAKER RATING PER CIRCUIT		AMPS PER CIRCUIT	BREAKER RATING PER CIRCUIT
AHD10-1036A AHD10-1042A AHD10-1048A	1	8.5	15	1	4.3	15	1	4.3	15
AHD10-2060A AHD10-2072A AHD10-2084A AHD10-2096A	1	17.0	20	1	8.6	15	1	8.6	15
AHD10-3108A AHD10-3120A	1	25.5	30	1	12.9	20	1	12.9	20

Berner reserves the right to alter specifications without prior notice.

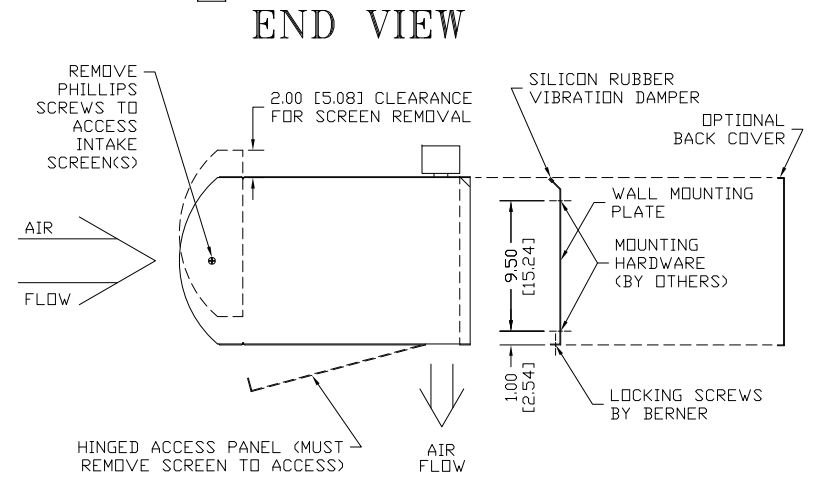
www.berner.com Berner International 800.245-4455
111 Progress Ave. / New Castle / PA / 16101 / USA

EP-210
June, 2017

AHD10 AMBIENT SYSTEM



MODEL ⁶	NOZZLE WIDTH "A"	UNIT WIDTH "B"	MOUNTING WIDTH "C"
AHD10-1036A	36.75 [93.35]	37.75 [95.89]	8.00 [20.32]
AHD10-1042A	42.75 [108.59]	43.75 [111.13]	8.00 [20.32]
AHD10-1048A	48.75 [123.83]	49.75 [126.37]	10.00 [25.40]
AHD10-2060A	60.75 [153.31]	61.75 [156.85]	8.00 [20.32]
AHD10-2072A	74.50 [189.23]	75.50 [191.77]	12.00 [30.48]
AHD10-2084A	86.50 [219.71]	87.50 [217.17]	12.00 [30.48]
AHD10-2096A	98.50 [250.19]	99.50 [252.73]	27.00 [68.58]
AHD10-3108A	112.25 [285.12]	113.25 [287.66]	27.00 [68.58]
AHD10-3120A	118.25 [300.36]	119.25 [302.90]	27.00 [68.58]



NOTES:

- ¹ AIR CURTAIN MUST BE INSTALLED SO AIR STREAM IS NOT OBSTRUCTED WHEN DEFLECTED 20° TO EITHER SIDE OF C .
- ² ELECTRICAL CONNECTIONS TO BE FLEXIBLE.
- ³ FIELD VERIFY DIMENSIONS.
- ⁴ ANCHORS TO SUPPORTING STRUCTURE BY OTHERS.
- ⁵ ADEQUACY OF SUPPORTING STRUCTURE IS TO BE VERIFIED BY A PROFESSIONAL STRUCTURAL ENGINEER.
- ⁶ LETTER "A" IN MODEL NUMBER DESIGNATES AMBIENT UNIT.
- ⁷ DIMENSIONS IN INCHES (CENTIMETERS).

PROJECT		
LOCATION		
ARCHITECT		
ENGINEER		
DWG. NO.	AHD10-AMB	TITLE: BERNER
DATE	30MAY2017	MODEL AHD10 AIR CURTAIN
BY	S. Beil	AMBIENT SYSTEM
REPLACES	31MAR2017	BERNER INTERNATIONAL CORP.
BY	S. Beil	NEW CASTLE, PA.