



# COMMERCIAL HIGH PERFORMANCE 10

## Electric Heated Air Curtain

### Data Sheet

For Mounting Heights To 10' (environmental separation)

#### STANDARD CONSTRUCTION

- 14" high x 15" deep
- 1/2 hp three speed motor(s)
- Factory installed fan speed/heat switch
- White or black aluminum exterior cover (Optional: Custom Color or Stainless)
- Wall & Top Mounting
- Optional: Filter (washable)
- Patented venturi open helical element with point suspension
  - Thermal overload protection
  - Galvanized steel frame
- Alternate kW: see sheet EP-112



Berner International Corporation certifies that the air curtains shown herein are licensed to bear the AMCA Seal. The ratings shown are based on tests and procedures performed in accordance with AMCA Publication 211 and comply with the requirements of the AMCA Certified Ratings Program. Rated data shown is for base (electric heated) units. The AMCA Certified Ratings Seal applies to airflow rate, average outlet velocity, outlet velocity uniformity, velocity projection and power rating at free delivery only.

Models CHD10-1060E, CHD10-2108E and CHD10-2120E are not licensed to bear the AMCA seal.

2 Year Limited Warranty



| MODEL       | Nozzle Width (in) | Max Vel. at Nozzle (fpm) | Avg. Outlet Vel. (fpm) | Air Volume (cfm) | Outlet Vel. Uniformity | Power Rating (kW) | Motor(s) @ hp | Max Electric Capacity (kW) | Heater Output (MBH) | Air Temp. Rise (°F) | Net Wt. (lbs) |
|-------------|-------------------|--------------------------|------------------------|------------------|------------------------|-------------------|---------------|----------------------------|---------------------|---------------------|---------------|
| CHD10-1036E | 36.00             | 3,284                    | 1,928                  | 1,687            | 70%                    | 0.73              | 1 @ 1/2       | 14.0                       | 47.8                | 26°                 | 52            |
| CHD10-1042E | 42.00             | 3,592                    | 1,727                  | 1,763            | 50%                    | 0.77              | 1 @ 1/2       | 14.0                       | 47.8                | 25°                 | 55            |
| CHD10-1048E | 48.00             | 3,614                    | 1,473                  | 1,718            | 38%                    | 0.69              | 1 @ 1/2       | 14.0                       | 47.8                | 26°                 | 56            |
| CHD10-1060E | 60.00             | 3,319                    | 1,119                  | 1,632            | 45%                    | 0.66              | 1 @ 1/2       | 14.0                       | 47.8                | 27°                 | 63            |
| CHD10-2060E | 60.00             | 3,711                    | 1,788                  | 2,607            | 59%                    | 1.22              | 2 @ 1/2       | 21.0                       | 71.7                | 25°                 | 96            |
| CHD10-2072E | 72.00             | 3,284                    | 1,928                  | 3,374            | 70%                    | 1.45              | 2 @ 1/2       | 28.0                       | 95.6                | 26°                 | 104           |
| CHD10-2084E | 87.00             | 3,592                    | 1,667                  | 3,526            | 50%                    | 1.54              | 2 @ 1/2       | 28.0                       | 95.6                | 25°                 | 110           |
| CHD10-2096E | 99.00             | 3,614                    | 1,428                  | 3,436            | 38%                    | 1.38              | 2 @ 1/2       | 28.0                       | 95.6                | 26°                 | 112           |
| CHD10-3096E | 99.00             | 3,284                    | 1,785                  | 4,294            | 59%                    | 1.95              | 3 @ 1/2       | 35.0                       | 119.5               | 26°                 | 148           |
| CHD10-2108E | 111.00            | 3,319                    | 1,242                  | 3,350            | 38%                    | 1.35              | 2 @ 1/2       | 28.0                       | 95.6                | 26°                 | 119           |
| CHD10-3108E | 111.00            | 3,284                    | 1,876                  | 5,061            | 70%                    | 2.18              | 3 @ 1/2       | 42.0                       | 143.3               | 26°                 | 156           |
| CHD10-2120E | 116.25            | 3,319                    | 1,155                  | 3,264            | 45%                    | 1.32              | 2 @ 1/2       | 28.0                       | 95.6                | 27°                 | 126           |
| CHD10-3120E | 116.25            | 3,284                    | 1,818                  | 5,137            | 50%                    | 2.22              | 3 @ 1/2       | 42.0                       | 143.3               | 26°                 | 159           |

1. NOTE: Operation at 50 Hz will generate approximately a 17% reduction in air performance. Berner does not recommend CHD10-1060E, CHD10-2108E & CHD10-2120E, exists only as an equivalent to competitors' models. See sheet EP-112 for amp draws/total load requirements and alternate kW.

| Distance from Nozzle (in) | 40   | 80   | 120  | 160  | 200  |
|---------------------------|------|------|------|------|------|
| Core Velocity (fpm)       | 3260 | 1930 | 1530 | 1230 | 1140 |
| Uniformity (%)            | 84   | 92   | 96   | 89   | 93   |

### MODEL NUMBER CONFIGURATION

## CHD10-1 036 E B-140-R-SS

|                        |                               |                                     |                                  |   |   |                                     |   |
|------------------------|-------------------------------|-------------------------------------|----------------------------------|---|---|-------------------------------------|---|
| <b>Series</b><br>CHD10 | <b># of Motors</b><br>1, 2, 3 | <b>Opening Width</b><br>036" - 120" | <b>Heat</b><br>E=Electric Heated | <b>Voltage</b><br>*B=208/1/60<br>*J=240/1/60<br>*V=220/1/50<br>K=120/480<br>L=120/600<br>S=208/480<br>U=240/480<br>M=208/600<br>N=240/600<br>X=208/3/60<br>Y=240/3/60<br>Z=480/3/60<br>Q=600/3/60<br>O=380/3/50<br><small>*Max 15kW<br/>See sheet EP-112 for available lengths and voltages</small> | <b>Standard kW</b><br>14.0 - 42.0<br>(140 - 420)<br><small>See sheet EP-112 for alternate kW code</small> | <b>Opt. Switch</b><br>Remote Switch | <b>Cabinet Finish</b><br>White (leave blank)<br>BK=Black<br><b>Opt. Cabinet Finish</b><br>SS=Stainless Steel<br>CC=Custom Color<br><small>for Standard offering, leave options (Opt.) blank<br/>make sure to specify Cabinet Finish if other than white</small> |
|------------------------|-------------------------------|-------------------------------------|----------------------------------|---|---|-------------------------------------|---|

|               |                        |              |
|---------------|------------------------|--------------|
| 1 motor:      | Low/Medium/High Speed: | 64/65/66 dBA |
| 2 motors 60": | Low/Medium/High Speed: | 66/67/68 dBA |
| 2 motors:     | Low/Medium/High Speed: | 67/68/69 dBA |
| 3 motors:     | Low/Medium/High Speed: | 70/71/72 dBA |

Berner reserves the right to alter specifications without prior notice.



# COMMERCIAL HIGH PERFORMANCE 10

## Electric Heated Air Curtain

### Electrical Performance Sheet

| MODEL   | kW<br>(code) | Temp<br>Rise °F | 208/1/60 (voltage code B)<br>MOTOR AMP DRAW = 3.5 each |                                       |                               | 240/1/60 (voltage code J) or<br>220/1/50 (voltage code V)<br>MOTOR AMP DRAW = 3.5 each |                                       |                               | 208/3/60 (voltage code X)<br>MOTOR AMP DRAW = 3.5 each |                                       |                               | 240/3/60 (voltage code Y)<br>MOTOR AMP DRAW = 3.5 each |                                       |                               |
|---|--------------|-----------------|--|---------------------------------------|-------------------------------|--|---------------------------------------|-------------------------------|--|---------------------------------------|-------------------------------|--|---------------------------------------|-------------------------------|
|   |              |                 | #<br>CKTS  | AMPS PER CIRCUIT<br>(including motor) | BREAKER RATING<br>PER CIRCUIT | #<br>CKTS  | AMPS PER CIRCUIT<br>(including motor) | BREAKER RATING<br>PER CIRCUIT | #<br>CKTS  | AMPS PER CIRCUIT<br>(including motor) | BREAKER RATING<br>PER CIRCUIT | #<br>CKTS  | AMPS PER CIRCUIT<br>(including motor) | BREAKER RATING<br>PER CIRCUIT |
| CHD10-1036E<br>CHD10-1042E<br>CHD10-1048E<br>CHD10-1060E                | 14<br>(140)  | 25              | 2  | 26.0/44.9                             | 35/60                         | 2  | 23.0/38.9                             | 30/50                         | 1  | 42.4                                  | 60                            | 1  | 37.2                                  | 50                            |
|   | 10<br>(100)  | 18              | 2  | 19.5/32.0                             | 25/40                         | 1  | 45.2                                  | 60                            | 1  | 31.3                                  | 40                            | 1  | 27.6                                  | 35                            |
|   | 8<br>(080)   | 14              | 1  | 42.0                                  | 60                            | 1  | 36.8                                  | 50                            | 1  | 25.7                                  | 35                            | 1  | 22.7                                  | 30                            |
|   | 6<br>(060)   | 11              | 1  | 32.3                                  | 45                            | 1  | 28.5                                  | 40                            | 1  | 20.2                                  | 30                            | 1  | 17.9                                  | 25                            |
| CHD10-2060E   | 21<br>(210)  | 25              | -  | N/A                                   | N/A                           | -  | N/A                                   | N/A                           | 2  | 26.4/38.9                             | 35/50                         | 2  | 23.8/33.7                             | 30/45                         |
|   | 15<br>(150)  | 18              | 2  | 31.0/48.1                             | 40/60                         | 2  | 27.8/41.7                             | 35/60                         | 1  | 48.6                                  | 60                            | 1  | 43.1                                  | 60                            |
|   | 12<br>(120)  | 14              | 2  | 26.2/38.5                             | 35/50                         | 2  | 23.7/33.3                             | 30/45                         | 1  | 40.3                                  | 50                            | 1  | 35.9                                  | 45                            |
|   | 9<br>(090)   | 11              | 2  | 21.4/28.8                             | 30/40                         | 1  | 44.5                                  | 60                            | 1  | 32.0                                  | 40                            | 1  | 28.7                                  | 35                            |
| CHD10-2072E<br>CHD10-2084E<br>CHD10-2096E<br>CHD10-2108E<br>CHD10-2120E | 28<br>(280)  | 25              | -  | N/A                                   | N/A                           | -  | N/A                                   | N/A                           | 2  | 45.9/38.9                             | 60/50                         | 2  | 40.7/33.7                             | 50/45                         |
|   | 20<br>(200)  | 18              | -  | N/A                                   | N/A                           | 2  | N/A                                   | N/A                           | 2  | 34.8/27.8                             | 45/35                         | 2  | 31.1/24.1                             | 40/35                         |
|   | 16<br>(160)  | 14              | 2  | 45.5/38.5                             | 60/50                         | 2  | 40.3/33.3                             | 50/45                         | 2  | 29.2/22.2                             | 40/30                         | 1  | 45.5                                  | 60                            |
|   | 12<br>(120)  | 11              | 2  | 35.8/28.8                             | 45/40                         | 2  | 32.0/25.0                             | 40/35                         | 1  | 40.3                                  | 50                            | 1  | 35.9                                  | 45                            |
| CHD10-3096E   | 35<br>(350)  | 25              | -  | N/A                                   | N/A                           | -  | N/A                                   | N/A                           | 3  | 29.9/38.9/38.9                        | 40/50/50                      | 3  | 27.3/33.7/33.7                        | 35/45/45                      |
|   | 25<br>(250)  | 18              | -  | N/A                                   | N/A                           | -  | N/A                                   | N/A                           | 2  | 38.3/41.6                             | 50/60                         | 2  | 34.6/36.1                             | 45/50                         |
|   | 20<br>(200)  | 14              | -  | N/A                                   | N/A                           | -  | N/A                                   | N/A                           | 2  | 32.7/33.3                             | 40/45                         | 2  | 29.7/28.9                             | 40/40                         |
|   | 15<br>(150)  | 11              | 2  | 39.3/43.3                             | 50/60                         | 2  | 35.5/37.5                             | 45/50                         | 2  | 27.2/25.0                             | 35/35                         | 2  | 24.9/21.7                             | 30/30                         |
| CHD10-3108E<br>CHD10-3120E  | 42<br>(420)  | 25              | -  | N/A                                   | N/A                           | -  | N/A                                   | N/A                           | 3  | 49.4/38.9/38.9                        | 60/50/50                      | 3  | 44.2/33.7/33.7                        | 60/45/45                      |
|   | 30<br>(300)  | 18              | -  | N/A                                   | N/A                           | -  | N/A                                   | N/A                           | 3  | 38.3/27.8/27.8                        | 50/35/35                      | 2  | 34.6/48.1                             | 45/60                         |
|   | 24<br>(240)  | 14              | -  | N/A                                   | N/A                           | -  | N/A                                   | N/A                           | 2  | 32.7/44.4                             | 40/60                         | 2  | 29.7/38.5                             | 40/50                         |
|   | 18<br>(180)  | 11              | -  | N/A                                   | N/A                           | -  | N/A                                   | N/A                           | 2  | 27.2/33.3                             | 35/45                         | 2  | 24.9/28.9                             | 30/40                         |



# COMMERCIAL HIGH PERFORMANCE 10

## Electric Heated Air Curtain

### Electrical Performance Sheet

| MODEL   | kW<br>(code) | Temp<br>Rise °F | 480/3/60 (voltage code Z)<br>MOTOR AMP DRAW = 1.4 each |                                       |                               | 600/3/60 (voltage code Q)<br>MOTOR AMP DRAW = 1.0 each |                                       |                               | 380/3/50 (voltage code O)<br>MOTOR AMP DRAW = 3.5 each |                                       |                               |
|---|--------------|-----------------|--|---------------------------------------|-------------------------------|--|---------------------------------------|-------------------------------|--|---------------------------------------|-------------------------------|
|   |              |                 | #<br>CKTS  | AMPS PER CIRCUIT<br>(including motor) | BREAKER RATING<br>PER CIRCUIT | #<br>CKTS  | AMPS PER CIRCUIT<br>(including motor) | BREAKER RATING<br>PER CIRCUIT | #<br>CKTS  | AMPS PER CIRCUIT<br>(including motor) | BREAKER RATING<br>PER CIRCUIT |
| CHD10-1036E<br>CHD10-1042E<br>CHD10-1048E<br>CHD10-1060E                | 14<br>(140)  | 25              | 1  | 18.2                                  | 25                            | 1  | 14.5                                  | 20                            | 1  | 24.8                                  | 35                            |
|   | 10<br>(100)  | 18              | 1  | 13.4                                  | 20                            | 1  | 10.6                                  | 15                            | 1  | 18.7                                  | 25                            |
|   | 8<br>(080)   | 14              | 1  | 11.0                                  | 15                            | 1  | 8.7                                   | 15                            | 1  | 15.7                                  | 20                            |
|   | 6<br>(060)   | 11              | 1  | 8.6                                   | 15                            | 1  | 6.8                                   | 15                            | 1  | 12.6                                  | 20                            |
| CHD10-2060E   | 21<br>(210)  | 25              | 1  | 28.1                                  | 35                            | 1  | 22.2                                  | 30                            | 1  | 38.9                                  | 50                            |
|   | 15<br>(150)  | 18              | 1  | 20.8                                  | 30                            | 1  | 16.4                                  | 25                            | 1  | 29.8                                  | 40                            |
|   | 12<br>(120)  | 14              | 1  | 17.2                                  | 25                            | 1  | 13.5                                  | 20                            | 1  | 25.2                                  | 35                            |
|   | 9<br>(090)   | 11              | 1  | 13.6                                  | 20                            | 1  | 10.7                                  | 15                            | 1  | 20.7                                  | 25                            |
| CHD10-2072E<br>CHD10-2084E<br>CHD10-2096E<br>CHD10-2108E<br>CHD10-2120E | 28<br>(280)  | 25              | 1  | 36.5                                  | 50                            | 1  | 28.9                                  | 40                            | 2  | 28.3/21.3                             | 35/30                         |
|   | 20<br>(200)  | 18              | 1  | 26.9                                  | 35                            | 1  | 21.2                                  | 30                            | 1  | 37.4                                  | 50                            |
|   | 16<br>(160)  | 14              | 1  | 22.0                                  | 30                            | 1  | 17.4                                  | 25                            | 1  | 31.3                                  | 40                            |
|   | 12<br>(120)  | 11              | 1  | 17.2                                  | 25                            | 1  | 13.5                                  | 20                            | 1  | 25.2                                  | 35                            |
| CHD10-3096E   | 35<br>(350)  | 25              | 1  | 46.3                                  | 60                            | 1  | 36.7                                  | 50                            | 2  | 31.8/31.9                             | 40/40                         |
|   | 25<br>(250)  | 18              | 1  | 34.3                                  | 45                            | 1  | 27.1                                  | 35                            | 1  | 48.5                                  | 60                            |
|   | 20<br>(200)  | 14              | 1  | 28.3                                  | 35                            | 1  | 22.2                                  | 30                            | 1  | 40.9                                  | 50                            |
|   | 15<br>(150)  | 11              | 1  | 22.2                                  | 30                            | 1  | 17.4                                  | 25                            | 1  | 33.3                                  | 40                            |
| CHD10-3108E<br>CHD10-3120E  | 42<br>(420)  | 25              | 2  | 21.0/33.7                             | 30/45                         | 1  | 43.4                                  | 60                            | 2  | 31.8/42.5                             | 40/60                         |
|   | 30<br>(300)  | 18              | 1  | 40.3                                  | 50                            | 1  | 31.9                                  | 40                            | 2  | 25.7/30.4                             | 35/40                         |
|   | 24<br>(240)  | 14              | 1  | 33.1                                  | 45                            | 1  | 26.1                                  | 35                            | 1  | 47.0                                  | 60                            |
|   | 18<br>(180)  | 11              | 1  | 25.9                                  | 35                            | 1  | 20.3                                  | 25                            | 1  | 37.8                                  | 50                            |



# COMMERCIAL HIGH PERFORMANCE 10

## Electric Heated Air Curtain

### Electrical Performance Sheet

| MODEL   | kW<br>(code) | Temp<br>Rise °F | #<br>CKTS | 120/1/60 - 480/3/60 (voltage code K)<br>120V MOTOR AMP DRAW = 6.5 each |           |                               |        | 208/1/60 - 480/3/60 (voltage code S)<br>208V MOTOR AMP DRAW = 3.5 each |        |                               |        | 240/1/60 - 480/3/60 (voltage code U)<br>240V MOTOR AMP DRAW = 3.5 each |        |                               |           |    |       |
|---|--------------|-----------------|-----------|--|-----------|-------------------------------|--------|--|--------|-------------------------------|--------|--|--------|-------------------------------|-----------|----|-------|
|   |              |                 |           | AMPS PER CIRCUIT   |           | BREAKER RATING<br>PER CIRCUIT |        | AMPS PER CIRCUIT   |        | BREAKER RATING<br>PER CIRCUIT |        | AMPS PER CIRCUIT   |        | BREAKER RATING<br>PER CIRCUIT |           |    |       |
|   |              |                 |           | 120V/1   | 480V/3    | 120V/1                        | 480V/3 | 208V/1   | 480V/3 | 208V/1                        | 480V/3 | 240V/1   | 480V/3 | 240V/1                        | 480V/3    |    |       |
| CHD10-1036E<br>CHD10-1042E<br>CHD10-1048E<br>CHD10-1060E                | 14<br>(140)  | 25              | 2         | 6.5  | 16.8      | 15                            | 25     | 2  | 3.5    | 16.8                          | 15     | 25   | 2      | 3.5                           | 16.8      | 15 | 25    |
|   | 10<br>(100)  | 18              | 2         | 6.5  | 12.0      | 15                            | 15     | 2  | 3.5    | 12.0                          | 15     | 15   | 2      | 3.5                           | 12.0      | 15 | 15    |
|   | 8<br>(080)   | 14              | 2         | 6.5  | 9.6       | 15                            | 15     | 2  | 3.5    | 9.6                           | 15     | 15   | 2      | 3.5                           | 9.6       | 15 | 15    |
|   | 6<br>(060)   | 11              | 2         | 6.5  | 7.2       | 15                            | 15     | 2  | 3.5    | 7.2                           | 15     | 15   | 2      | 3.5                           | 7.2       | 15 | 15    |
| CHD10-2060E   | 21<br>(210)  | 25              | 2         | 13.0   | 25.3      | 20                            | 35     | 2  | 7.0    | 25.3                          | 15     | 35   | 2      | 7.0                           | 25.3      | 15 | 35    |
|   | 15<br>(150)  | 18              | 2         | 13.0   | 18.0      | 20                            | 25     | 2  | 7.0    | 18.0                          | 15     | 25   | 2      | 7.0                           | 18.0      | 15 | 25    |
|   | 12<br>(120)  | 14              | 2         | 13.0   | 14.4      | 20                            | 20     | 2  | 7.0    | 14.4                          | 15     | 20   | 2      | 7.0                           | 14.4      | 15 | 20    |
|   | 9<br>(090)   | 11              | 2         | 13.0   | 10.8      | 20                            | 15     | 2  | 7.0    | 10.8                          | 15     | 15   | 2      | 7.0                           | 10.8      | 15 | 15    |
| CHD10-2072E<br>CHD10-2084E<br>CHD10-2096E<br>CHD10-2108E<br>CHD10-2120E | 28<br>(280)  | 25              | 2         | 13.0   | 33.7      | 20                            | 45     | 2  | 7.0    | 33.7                          | 15     | 45   | 2      | 7.0                           | 33.7      | 15 | 45    |
|   | 20<br>(200)  | 18              | 2         | 13.0   | 24.1      | 20                            | 35     | 2  | 7.0    | 24.1                          | 15     | 35   | 2      | 7.0                           | 24.1      | 15 | 35    |
|   | 16<br>(160)  | 14              | 2         | 13.0   | 19.2      | 20                            | 25     | 2  | 7.0    | 19.2                          | 15     | 25   | 2      | 7.0                           | 19.2      | 15 | 25    |
|   | 12<br>(120)  | 11              | 2         | 13.0   | 14.4      | 20                            | 20     | 2  | 7.0    | 14.4                          | 15     | 20   | 2      | 7.0                           | 14.4      | 15 | 20    |
| CHD10-3096E   | 35<br>(350)  | 25              | 2         | 19.5   | 42.1      | 25                            | 60     | 2  | 10.5   | 42.1                          | 15     | 60   | 2      | 10.5                          | 42.1      | 15 | 60    |
|   | 25<br>(250)  | 18              | 2         | 19.5   | 30.1      | 25                            | 40     | 2  | 10.5   | 30.1                          | 15     | 40   | 2      | 10.5                          | 30.1      | 15 | 40    |
|   | 20<br>(200)  | 14              | 2         | 19.5   | 24.1      | 25                            | 35     | 2  | 10.5   | 24.1                          | 15     | 35   | 2      | 10.5                          | 24.1      | 15 | 35    |
|   | 15<br>(150)  | 11              | 2         | 19.5   | 18.0      | 25                            | 25     | 2  | 10.5   | 18.0                          | 15     | 25   | 2      | 10.5                          | 18.0      | 15 | 25    |
| CHD10-3108E<br>CHD10-3120E  | 42<br>(420)  | 25              | 3         | 19.5   | 33.7/16.8 | 25                            | 45/25  | 3  | 10.5   | 33.7/16.8                     | 15     | 45/25  | 3      | 10.5                          | 33.7/16.8 | 15 | 45/25 |
|   | 30<br>(300)  | 18              | 2         | 19.5   | 36.1      | 25                            | 50     | 2  | 10.5   | 36.1                          | 15     | 50   | 2      | 10.5                          | 36.1      | 15 | 50    |
|   | 24<br>(240)  | 14              | 2         | 19.5   | 28.9      | 25                            | 40     | 2  | 10.5   | 28.9                          | 15     | 40   | 2      | 10.5                          | 28.9      | 15 | 40    |
|   | 18<br>(180)  | 11              | 2         | 19.5   | 21.7      | 25                            | 30     | 2  | 10.5   | 21.7                          | 15     | 30   | 2      | 10.5                          | 21.7      | 15 | 30    |



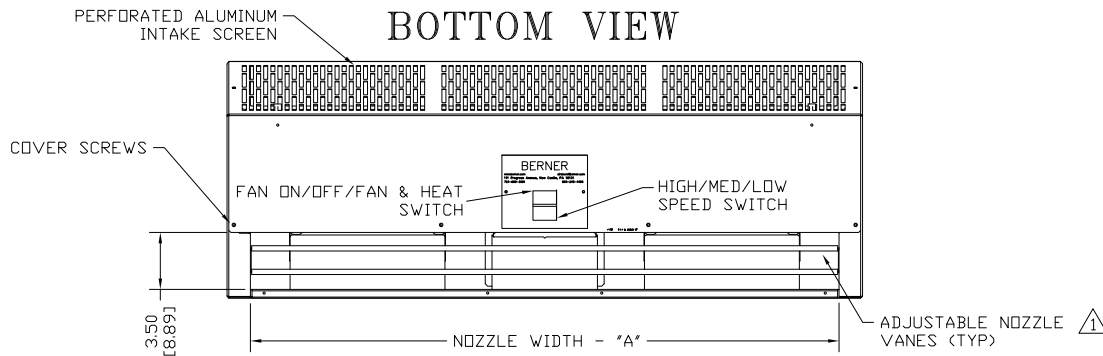
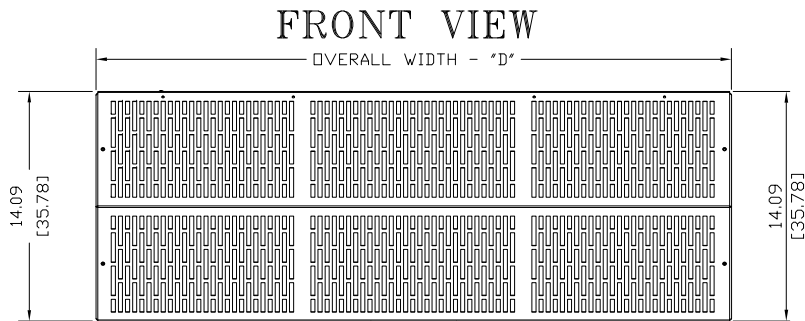
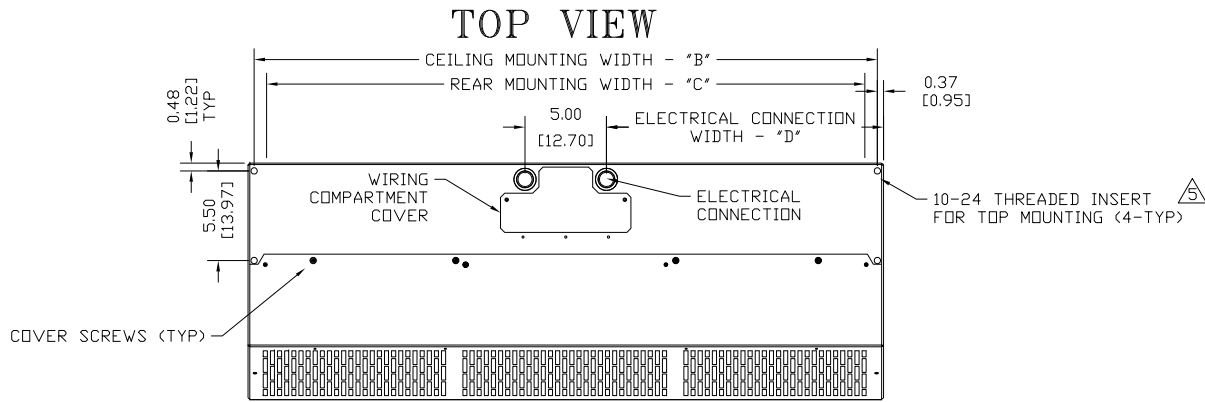
# COMMERCIAL HIGH PERFORMANCE 10

## Electric Heated Air Curtain

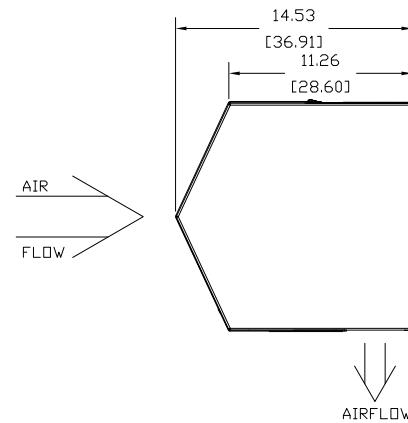
### Electrical Performance Sheet

| MODEL   | kW<br>(code) | Temp<br>Rise °F | 120/1/60 - 600/3/60 (voltage code L)<br>120V MOTOR AMP DRAW = 6.5 each |                  |        |                               | 208/1/60 - 600/3/60 (voltage code M)<br>208V MOTOR AMP DRAW = 3.5 each |           |                  |        | 240/1/60 - 600/3/60 (voltage code N)<br>240V MOTOR AMP DRAW = 3.5 each |        |           |                  |        |                               |        |
|---|--------------|-----------------|--|------------------|--------|-------------------------------|--|-----------|------------------|--------|--|--------|-----------|------------------|--------|-------------------------------|--------|
|   |              |                 | #<br>CKTS  | AMPS PER CIRCUIT |        | BREAKER RATING<br>PER CIRCUIT |  | #<br>CKTS | AMPS PER CIRCUIT |        | BREAKER RATING<br>PER CIRCUIT  |        | #<br>CKTS | AMPS PER CIRCUIT |        | BREAKER RATING<br>PER CIRCUIT |        |
|   |              |                 |  | 120V/1           | 600V/3 | 120V/1                        | 600V/3   |           | 208V/1           | 600V/3 | 208V/1   | 600V/3 |           | 240V/1           | 600V/3 | 240V/1                        | 600V/3 |
| CHD10-1036E<br>CHD10-1042E<br>CHD10-1048E<br>CHD10-1060E                | 14<br>(140)  | 25              | 2  | 6.5              | 13.5   | 15                            | 20   | 2         | 3.5              | 13.5   | 15   | 20     | 2         | 3.5              | 13.5   | 15                            | 20     |
|   | 10<br>(100)  | 18              | 2  | 6.5              | 9.6    | 15                            | 15   | 2         | 3.5              | 9.6    | 15   | 15     | 2         | 3.5              | 9.6    | 15                            | 15     |
|   | 8<br>(080)   | 14              | 2  | 6.5              | 7.7    | 15                            | 15   | 2         | 3.5              | 7.7    | 15   | 15     | 2         | 3.5              | 7.7    | 15                            | 15     |
|   | 6<br>(060)   | 11              | 2  | 6.5              | 5.8    | 15                            | 15   | 2         | 3.5              | 5.8    | 15   | 15     | 2         | 3.5              | 5.8    | 15                            | 15     |
| CHD10-2060E   | 21<br>(210)  | 25              | 2  | 13.0             | 20.2   | 20                            | 30   | 2         | 7.0              | 20.2   | 15   | 30     | 2         | 7.0              | 20.2   | 15                            | 30     |
|   | 15<br>(150)  | 18              | 2  | 13.0             | 14.4   | 20                            | 20   | 2         | 7.0              | 14.4   | 15   | 20     | 2         | 7.0              | 14.4   | 15                            | 20     |
|   | 12<br>(120)  | 14              | 2  | 13.0             | 11.5   | 20                            | 20   | 2         | 7.0              | 11.5   | 15   | 20     | 2         | 7.0              | 11.5   | 15                            | 20     |
|   | 9<br>(090)   | 11              | 2  | 13.0             | 8.7    | 20                            | 15   | 2         | 7.0              | 8.7    | 15   | 15     | 2         | 7.0              | 8.7    | 15                            | 15     |
| CHD10-2072E<br>CHD10-2084E<br>CHD10-2096E<br>CHD10-2108E<br>CHD10-2120E | 28<br>(280)  | 25              | 2  | 13.0             | 26.9   | 20                            | 35   | 2         | 7.0              | 26.9   | 15   | 35     | 2         | 7.0              | 26.9   | 15                            | 35     |
|   | 20<br>(200)  | 18              | 2  | 13.0             | 19.2   | 20                            | 25   | 2         | 7.0              | 19.2   | 15   | 25     | 2         | 7.0              | 19.2   | 15                            | 25     |
|   | 16<br>(160)  | 14              | 2  | 13.0             | 15.4   | 20                            | 20   | 2         | 7.0              | 15.4   | 15   | 20     | 2         | 7.0              | 15.4   | 15                            | 20     |
|   | 12<br>(120)  | 11              | 2  | 13.0             | 11.5   | 20                            | 15   | 2         | 7.0              | 11.5   | 15   | 15     | 2         | 7.0              | 11.5   | 15                            | 15     |
| CHD10-3096E   | 35<br>(350)  | 25              | 2  | 19.5             | 33.7   | 25                            | 45   | 2         | 10.5             | 33.7   | 15   | 45     | 2         | 10.5             | 33.7   | 15                            | 45     |
|   | 25<br>(250)  | 18              | 2  | 19.5             | 24.1   | 25                            | 35   | 2         | 10.5             | 24.1   | 15   | 35     | 2         | 10.5             | 24.1   | 15                            | 35     |
|   | 20<br>(200)  | 14              | 2  | 19.5             | 19.2   | 25                            | 25   | 2         | 10.5             | 19.2   | 15   | 25     | 2         | 10.5             | 19.2   | 15                            | 25     |
|   | 15<br>(150)  | 11              | 2  | 19.5             | 14.4   | 25                            | 20   | 2         | 10.5             | 14.4   | 15   | 20     | 2         | 10.5             | 14.4   | 15                            | 20     |
| CHD10-3108E<br>CHD10-3120E  | 42<br>(420)  | 25              | 2  | 19.5             | 40.4   | 25                            | 60   | 2         | 10.5             | 40.4   | 15   | 60     | 2         | 10.5             | 40.4   | 15                            | 60     |
|   | 30<br>(300)  | 18              | 2  | 19.5             | 28.9   | 25                            | 40   | 2         | 10.5             | 28.9   | 15   | 40     | 2         | 10.5             | 28.9   | 15                            | 40     |
|   | 24<br>(240)  | 14              | 2  | 19.5             | 23.1   | 25                            | 30   | 2         | 10.5             | 23.1   | 15   | 30     | 2         | 10.5             | 23.1   | 15                            | 30     |
|   | 18<br>(180)  | 11              | 2  | 19.5             | 17.3   | 25                            | 25   | 2         | 10.5             | 17.3   | 15   | 25     | 2         | 10.5             | 17.3   | 15                            | 25     |

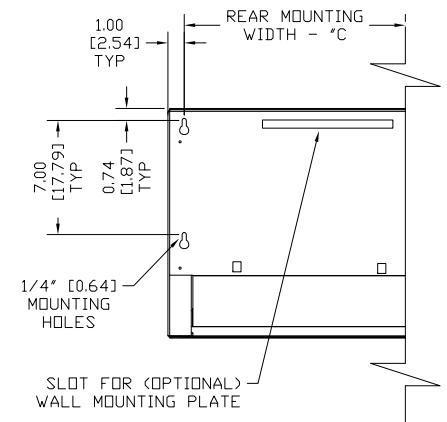
# CHD 10 ELECTRIC HEATED



## END VIEW



## REAR VIEW



## NOTES:

- ⚠ AIR CURTAIN MUST BE INSTALLED SO AIR STREAM IS NOT OBSTRUCTED WHEN DEFLECTED 20° TO EITHER SIDE OF  $\bar{C}$ .
- ⚠ ELECTRICAL CONNECTIONS TO BE FLEXIBLE.
- ⚠ FIELD VERIFY DIMENSIONS.
- ⚠ ANCHORS TO SUPPORTING STRUCTURE BY OTHERS.
- ⚠ ADEQUACY OF SUPPORTING STRUCTURE IS TO BE VERIFIED BY A PROFESSIONAL STRUCTURAL ENGINEER.
- ⚠ LETTER "E" IN MODEL NUMBER DESIGNATES ELECTRIC HEATED UNIT
- ⚠ DIMENSIONS IN INCHES [CENTIMETERS].

| MODEL ⚠     | NOZZLE WIDTH "A" | CEILING MOUNTING WIDTH "B" | REAR MOUNTING WIDTH "C" | UNIT WIDTH "D"  | ELECTRIC WIDTH "E" |
|-------------|------------------|----------------------------|-------------------------|-----------------|--------------------|
| CHD10-1036E | 36.00 [91.44]    | 38.25 [97.16]              | 37.00 [93.98]           | 39.00 [99.06]   | 17.00 [43.18]      |
| CHD10-1042E | 42.00 [106.68]   | 44.25 [112.40]             | 43.00 [109.22]          | 45.00 [114.30]  | 20.00 [50.80]      |
| CHD10-1048E | 48.00 [121.92]   | 50.25 [127.64]             | 49.00 [124.46]          | 51.00 [129.54]  | 23.00 [58.42]      |
| CHD10-1060E | 60.00 [152.40]   | 62.25 [158.12]             | 61.00 [154.94]          | 63.00 [160.02]  | 29.00 [73.66]      |
| CHD10-2060E | 60.00 [152.40]   | 62.25 [158.12]             | 61.00 [154.94]          | 63.00 [160.02]  | 19.00 [48.26]      |
| CHD10-2072E | 72.00 [182.88]   | 74.25 [188.60]             | 73.00 [185.42]          | 75.00 [190.50]  | 17.00 [43.18]      |
| CHD10-2084E | 86.88 [220.66]   | 89.13 [226.38]             | 87.88 [223.22]          | 89.88 [228.28]  | 20.75 [52.71]      |
| CHD10-2096E | 98.88 [251.14]   | 101.13 [257.18]            | 99.88 [253.70]          | 101.88 [258.76] | 23.75 [60.33]      |
| CHD10-3096E | 98.88 [251.14]   | 101.13 [257.18]            | 99.88 [253.70]          | 101.88 [258.76] | 15.50 [39.37]      |
| CHD10-2108E | 110.88 [281.62]  | 113.13 [287.38]            | 111.88 [284.18]         | 113.88 [289.24] | 26.75 [67.95]      |
| CHD10-3108E | 110.88 [281.62]  | 113.13 [287.38]            | 111.88 [284.18]         | 113.88 [289.24] | 17.50 [44.45]      |
| CHD10-2120E | 116.25 [295.28]  | 118.50 [300.99]            | 117.25 [297.82]         | 119.25 [302.90] | 28.06 [71.28]      |
| CHD10-3120E | 116.25 [295.28]  | 118.50 [300.99]            | 117.25 [297.82]         | 119.25 [302.90] | 18.38 [46.67]      |

|           |           |   |
|-----------|-----------|---|
| PROJECT   |           |   |
| LOCATION  |           |   |
| ARCHITECT |           |   |
| ENGINEER  |           | REV.   -                                      |
| DWG. NO.  | CHD10-ELE | TITLE: <b>BERNER</b>                          |
| DATE      | 25SEP2017 | MODEL CHD10 AIR CURTAIN                       |
| BY        | S. BEIL   | ELECTRIC HEATED SYSTEM                        |
| REPLACES  | -         |   |
| BY        | -         | BERNER INTERNATIONAL CORP.<br>NEW CASTLE, PA. |