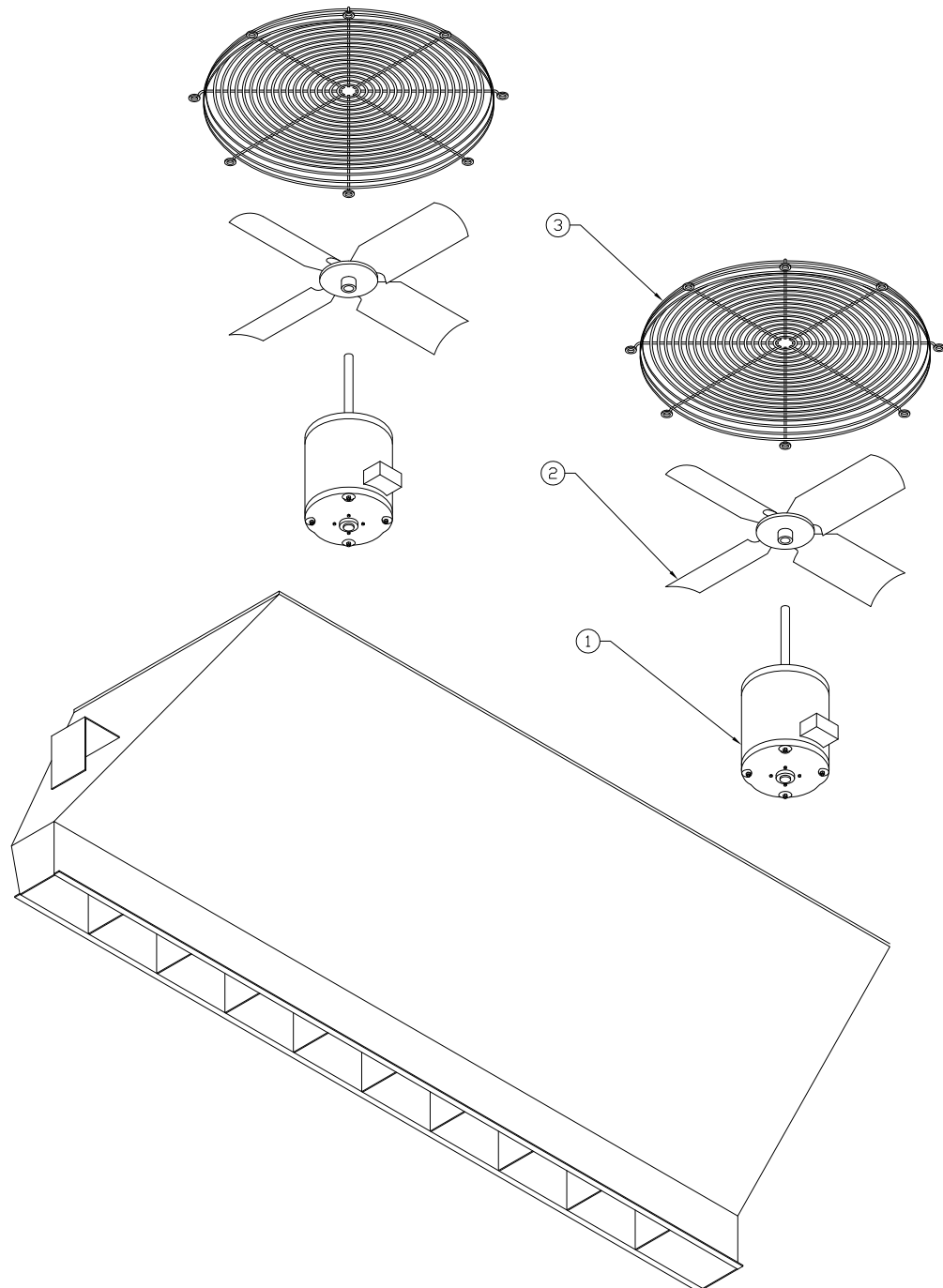


FLY16

REPLACEMENT PARTS



ITEM	DESCRIPTION	PART #
1	MOTOR, 2 H.P. (208-240/480/3Ø/60)	01002145T1X18G
2	IMPELLER, (4 Blade)	03FSX000ST
3	FAN GUARD	18C024

(VOLTAGE, SERIAL & MODEL NUMBERS REQUIRED FOR CORRECT PARTS)

SHEET 1 OF 1

PROJECT		
LOCATION		
ARCHITECT		
ENGINEER		REV. -
DWG. NO.	FLY16-RP	TITLE: BERNER MODEL FLY16 AIR CURTAIN REPLACEMENT PARTS
DATE	11NOV14	
BY	S. Beil	BERNER INTERNATIONAL CORP. NEW CASTLE, PA.
REPLACES	-	
BY	-	