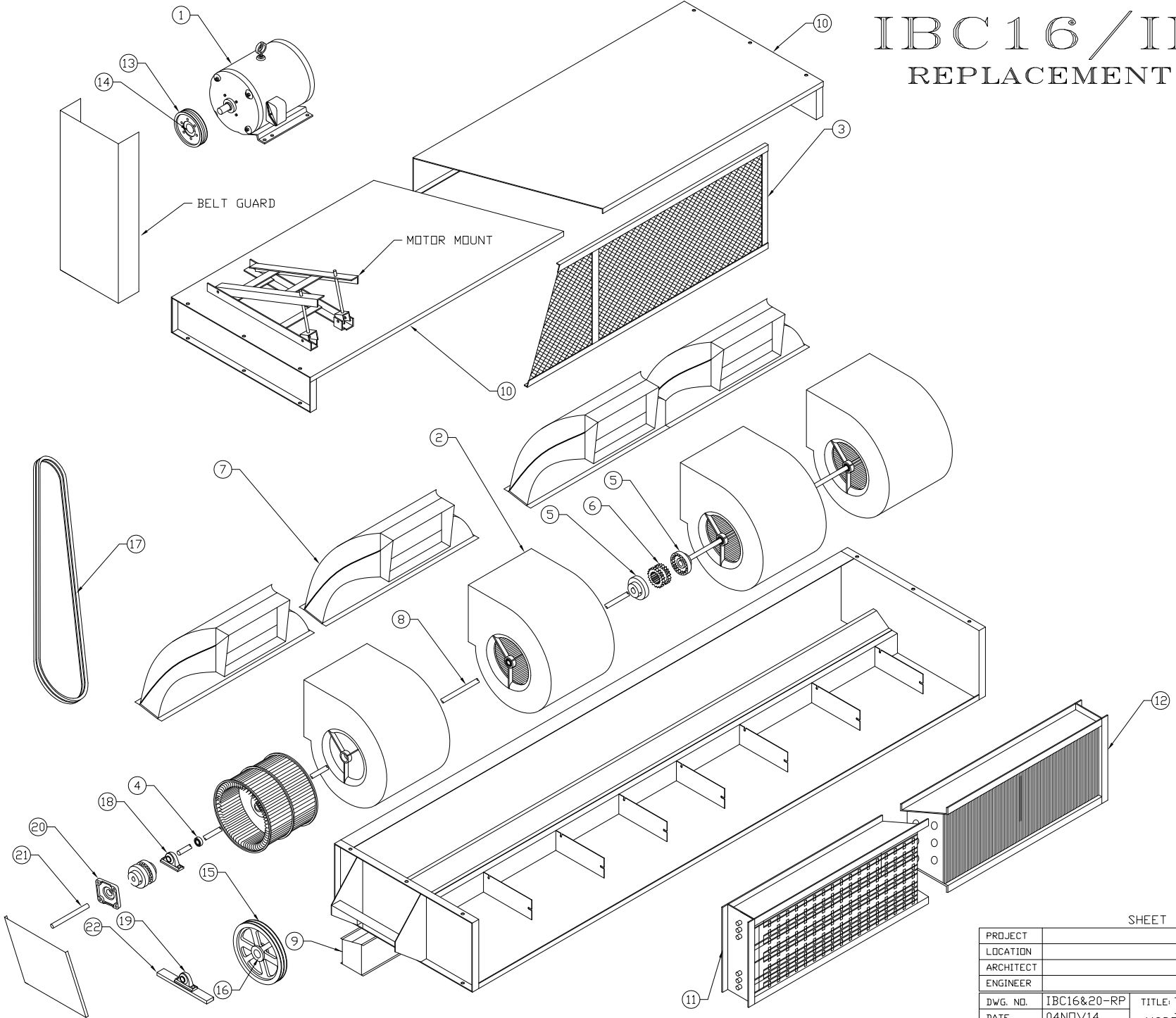


IBC16/IBC20 REPLACEMENT PARTS



SHEET 1 OF 2

PROJECT		
LOCATION		
ARCHITECT		
ENGINEER		REV. -
DWG. NO.	IBC16&20-RP	TITLE: BERNER
DATE	04NOV14	MODEL IBC16/IBC20 AIR CURTAIN
BY	S. Beil	REPLACEMENT PARTS
REPLACES	-	BERNER INTERNATIONAL CORP. NEW CASTLE, PA.
BY	-	

IBC16/IBC20

REPLACEMENT PARTS

ITEM	DESCRIPTION	PART #
1	MOTOR, 3 H.P. (208-240/480/3Ø/60)	01003182TX18G
1	MOTOR, 3 H.P. (600/3Ø/60)	01003182TX18I
1	MOTOR, 5 H.P. (208-240/480/3Ø/60)	01005213TX18G
1	MOTOR, 5 H.P. (600/3Ø/60)	01005213TX18I
1	MOTOR, 7 1/2 H.P. (208-240/480/3Ø/60)	01007213TX18G
1	MOTOR, 7 1/2 H.P. (600/3Ø/60)	01007213TX18I
1	MOTOR, 10 H.P. (208-240/480/3Ø/60)	01010215TX18G
1	MOTOR, 10 H.P. (600/3Ø/60)	01010215TX18I
1	MOTOR, 15 H.P. (208-240/480/3Ø/60)	01015254TX18G
1	MOTOR, 15 H.P. (600/3Ø/60)	01015254TX18I
2	COMPLETE BLOWER ASSEMBLY - IBC16 UNITS ONLY	29B12111010G-A
2	COMPLETE BLOWER ASSEMBLY - IBC20 UNITS ONLY	29B12111211G-A
3	INLET SCREEN (specify length & intake - inches)	08CF-***ISA
4	BEARING, RESILIENT MOUNT- 1"	13RM1000
5	1" SHAFT COUPLING FLANGE ONLY, SIZE 6S	146S1000
5	1" SHAFT COUPLING FLANGE ONLY, SIZE 7S	147S1000
5	1 3/16" SHAFT COUPLING FLANGE ONLY, SIZE 6S	146S10316
5	1 3/16" SHAFT COUPLING FLANGE ONLY, SIZE 7S	147S10316
6	COUPLING SLEEVE ONLY, 6HS HYTREL SPLIT	156HS
6	COUPLING SLEEVE ONLY, 6JES EPDM SPLIT	156JES
6	COUPLING SLEEVE ONLY, 7JES EPDM SPLIT	157JES
7	COMPLETE DIVERTER ASSEMBLY	17FGDIVA
8	1" SHAFT, (specify length - inches)	24STL1000-12L14-CD
9	OUTLET NOZZLE ASSEMBLY ONLY (specify length - inches)	06CF-***NA
10	TOP COVER - 60", FRONT INTAKE	43CF-060TC-DF
10	TOP COVER - 60" TOP INTAKE	43CF-060TC-DT
10	TOP COVER - 72", FRONT INTAKE	43CF-072TC-DF
10	TOP COVER - 72" TOP INTAKE	43CF-072TC-DT
10	TOP COVER - 96" FRONT INTAKE	43CF-096TC-DF
10	TOP COVER - 96" TOP INTAKE	43CF-096TC-DT
10	TOP COVER - 108" FRONT INTAKE	43CF-108TC-DF
10	TOP COVER - 108" TOP INTAKE	43CF-108TC-DT
10	TOP COVER - 120" FRONT INTAKE	43CF-120TC-DF
10	TOP COVER - 120" TOP INTAKE	43CF-120TC-DT
10	TOP COVER - 132" FRONT INTAKE	43CF-132TC-DF
10	TOP COVER - 132" TOP INTAKE	43CF-132TC-DT
10	TOP COVER - 144" FRONT INTAKE	43CF-144TC-DF
10	TOP COVER - 144" TOP INTAKE	43CF-144TC-DT
10	TOP COVER - 156" FRONT INTAKE	43CF-156TC-DF
10	TOP COVER - 156" TOP INTAKE	43CF-156TC-DT
10	TOP COVER - 168" FRONT INTAKE	43CF-168TC-DF
10	TOP COVER - 168" TOP INTAKE	43CF-168TC-DT
10	TOP COVER - 180" FRONT INTAKE	43CF-180TC-DF
10	TOP COVER - 180" TOP INTAKE	43CF-180TC-DT
10	TOP COVER - 192" FRONT INTAKE	43CF-192TC-DF
10	TOP COVER - 192" TOP INTAKE	43CF-192TC-DT
11	ELECTRIC HEAT COILS (length, kW, & voltage required)	Consult Factory
12	HOT WATER COIL (specify length - inches)	Consult Factory
12	STEAM COIL (specify length - inches)	Consult Factory
13	2 GROOVE, 4.5", DRIVE SHEAVE ONLY	383V2G045-SH
13	3 GROOVE, 4.5", DRIVE SHEAVE ONLY	383V3G045-SDS
14	2 GROOVE, DRIVE BUSHING (spec. mtr. shaft - dia.)	38B****SH
14	3 GROOVE, DRIVE BUSHING (spec. mtr. shaft - dia.),	38B****SDS
15	2 GROOVE, 6.5", DRIVEN SHEAVE ONLY	383V2G065-SDS
15	3 GROOVE, 6.5", DRIVEN SHEAVE ONLY	383V3G065-SDS
16	- GROOVE, DRIVEN BUSHING (spec. mtr. shaft - dia.)	38B****SH
16	3 GROOVE, DRIVEN BUSHING (spec. mtr. shaft - dia.)	38B****SDS
17	V-BELTS (specify belt length - inches)	393VX6**
18	1" PILLOW BLOCK BEARING	13PB1000
19	1 3/16" PILLOW BLOCK BEARING	13PB1316
20	1 3/16" FLANGE BEARING	13FB1316
21	1 3/16" JACKSHAFT	24CF-1316-12.00
22	OUTBOARD BEARING SPACER	40CF-000BD-S

**** SPECIFY SHAFT DIAMETER
 *** SPECIFY LENGTH (IN INCHES)
 ** SPECIFY LENGTH (IN INCHES)

SHEET 2 OF 2

PROJECT			
LOCATION			
ARCHITECT			
ENGINEER			REV. -
DWG. NO.	IBC16&20-RP	TITLE:	BERNER
DATE	04NOV14		MODEL IBC16/IBC20 AIR CURTAIN
BY	S. Beil		REPLACEMENT PARTS
REPLACES	-		
BY	-		BERNER INTERNATIONAL CORP. NEW CASTLE, PA.