



COMMERCIAL LOW PROFILE 8

Hot Water Heated Air Curtain

Data Sheet

For Mounting Heights To 8' (environmental separation)

STANDARD CONSTRUCTION

- 8 1/2" high x 13 1/2" deep
- 1/5 hp two speed motor(s)
- Factory installed fan speed/heat switch
- White or black powder coated exterior (Optional: Custom Color or Stainless)
- Wall & Top Mounting
- Optional: Filter (washable)

- Coil Features:
 - Galvanized steel casing
 - 5/8" copper tube with .035" wall
 - Aluminum fins
 - Leak tested at 450 PSI

2 Year
Limited
Warranty



MODEL	Nozzle Width (in)	Max Vel. at Nozzle (fpm)	Avg. Outlet Vel. (fpm)	Air Volume (cfm)	Outlet Vel. Uniformity	Power Rating (kW)	Motor(s) @ hp	Coil Output (MBH)	Entering / Leaving Water Temp. (°F)	Water Flow (GPM)	Fluid Pressure Drop (FT. WG.)	Air Temp. Rise (°F)	Net Wt. (lbs)
CLC08-1036W	34.62	3,567	1,760	1,005	92%	0.32	1 @ 1/5	27.7	180° / 169°	5.0	1.7	25°	67
CLC08-1042W	40.62	3,388	1,755	1,176	93%	0.32	1 @ 1/5	32.4	180° / 167°	5.0	1.8	25°	74
CLC08-1048W	46.62	3,226	1,742	1,340	94%	0.32	1 @ 1/5	36.8	180° / 165°	5.0	1.8	25°	80
CLC08-1060W	58.13	2,940	1,702	1,632	95%	0.32	1 @ 1/5	44.8	180° / 162°	5.0	1.9	25°	94
CLC08-1072W	71.37	2,870	1,707	2,010	95%	0.32	1 @ 1/5	56.1	180° / 161°	6.0	2.9	25°	107
CLC08-2084W	83.50	3,388	1,707	2,351	93%	0.64	2 @ 1/5	66.5	180° / 161°	7.0	4.0	26°	138
CLC08-2096W	95.50	3,226	1,701	2,679	94%	0.64	2 @ 1/5	74.8	180° / 158°	7.0	4.1	25°	152
CLC08-2108W	107.00	3,226	1,684	2,971	94%	0.64	2 @ 1/5	85.0	180° / 158°	8.0	5.6	26°	164
CLC08-2120W	118.50	2,940	1,670	3,263	95%	0.64	2 @ 1/5	94.3	180° / 158°	9.0	7.3	26°	177

NOTES:

1. Operation at 50 Hz will generate approximately a 17% reduction in performance.
2. Performance data based on unheated units.
3. Coil performance based on 65°F entering air temperature.
4. Standard connection same end supply/return.
5. Coil should be field supplied with a solenoid valve that energizes only when air curtain is energized. Consideration must be taken for freeze protection when necessary.
6. Maximum leaving air temperature shall not exceed 120°F.
7. Consult factory for alternate entering air & water temperatures, GPM's, or vertically mounted units.

See sheet EP-106 for amp draws/total load requirements.

MODEL NUMBER CONFIGURATION

CLC08-1 036 W A-R-SS

Series	# of Motors	Opening Width	Heat	Voltage	Opt. Switch	Cabinet Finish
CLC08	1, 2	036" - 120"	W=Hot Water Heated	*A=120/1/60 B=208/1/60 J=240/1/60 Z=480/3/60 Q=600/3/60 V=220/1/50	Remote Switch	White (leave blank) BK=Black Opt. Cabinet Finish SS=Stainless Steel CC=Custom Color

*Suitable for 50hz

for Standard offering, leave options (Opt.) blank
make sure to specify Cabinet Finish if other than white

Sound level measured 10' (3m) from the unit in free field:
1 motor: Low/High Speed: 53/54 dBA
2 motors: Low/High Speed: 56/57 dBA

Berner reserves the right to alter specifications without prior notice.

www.berner.com Berner International 800.245.4455
111 Progress Ave. / New Castle / PA / 16101 / USA

DS-106
March, 2020



COMMERCIAL LOW PROFILE 8

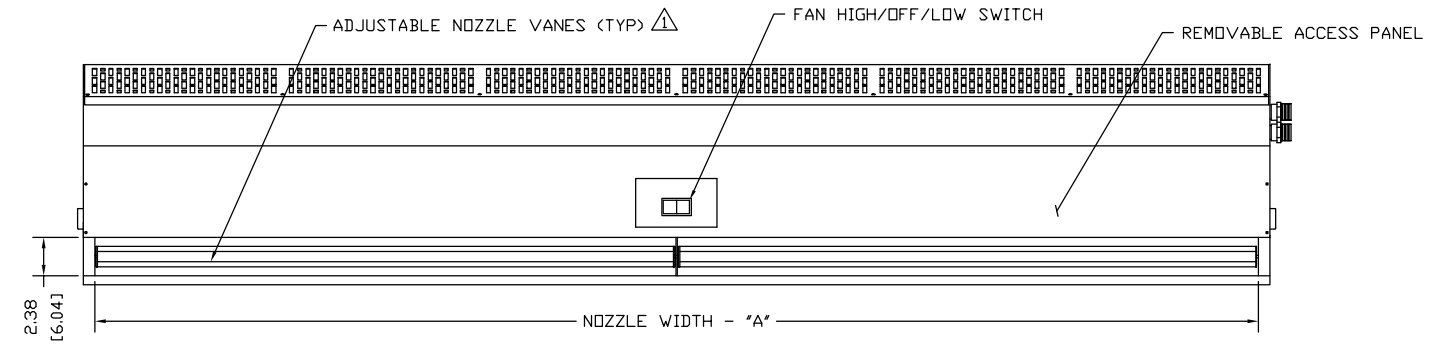
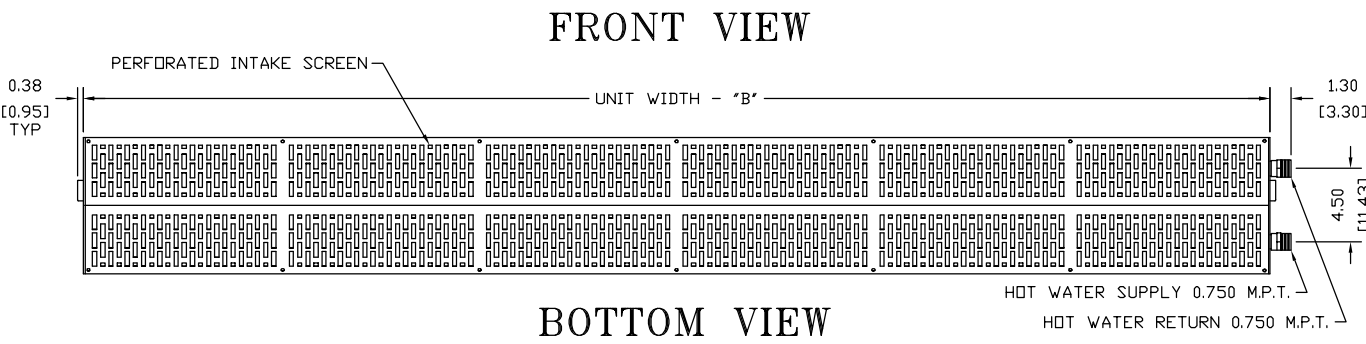
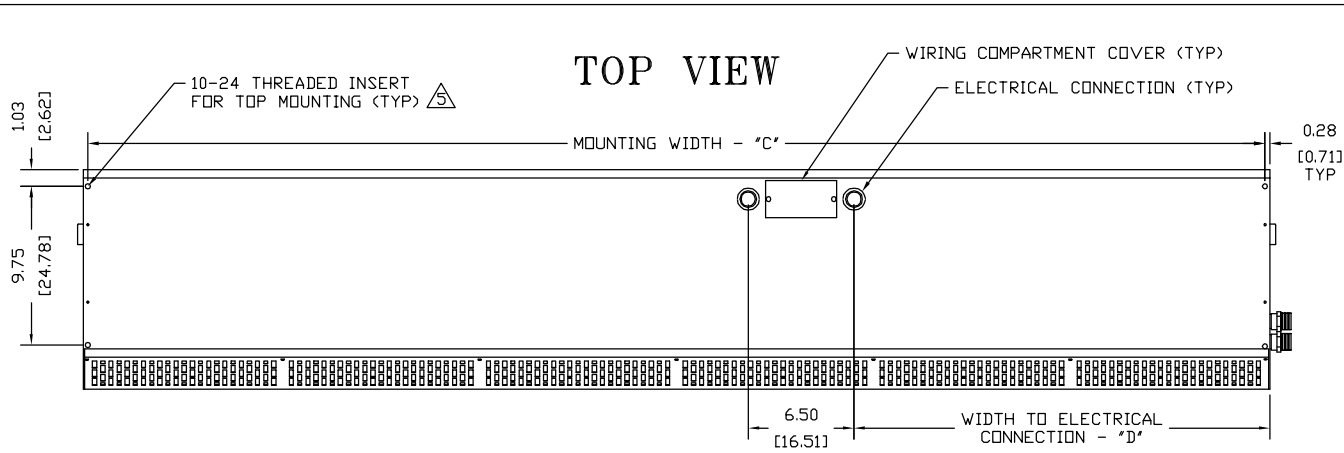
Hot Water Heated Air Curtain

Electrical Performance Sheet

		120/1/60 (voltage code A) MOTOR AMP DRAW = 3.4 each		208/1/60 (voltage code B) MOTOR AMP DRAW = 1.7 each		240/1/60 (voltage code J) or 220/1/50 (voltage code V) MOTOR AMP DRAW = 1.7 each			
MODEL	# CKTS	AMPS PER CIRCUIT	BREAKER RATING PER CIRCUIT	# CKTS	AMPS PER CIRCUIT	BREAKER RATING PER CIRCUIT	# CKTS	AMPS PER CIRCUIT	BREAKER RATING PER CIRCUIT
CLC08-1036W CLC08-1042W CLC08-1048W CLC08-1060W CLC08-1072W	1	3.4	15	1	1.7	15	1	1.7	15
CLC08-2084W CLC08-2096W CLC08-2108W CLC08-2120W	1	6.8	15	1	3.4	15	1	3.4	15

		480/3/60 (voltage code Z) MOTOR AMP DRAW = 0.9 each		600/3/60 (voltage code Q) MOTOR AMP DRAW = 0.6 each		
MODEL	# CKTS	AMPS PER CIRCUIT	BREAKER RATING PER CIRCUIT	# CKTS	AMPS PER CIRCUIT	BREAKER RATING PER CIRCUIT
CLC08-1036W CLC08-1042W CLC08-1048W CLC08-1060W CLC08-1072W	1	0.9	15	1	0.6	15
CLC08-2084W CLC08-2096W CLC08-2108W CLC08-2120W	1	1.8	15	1	1.2	15

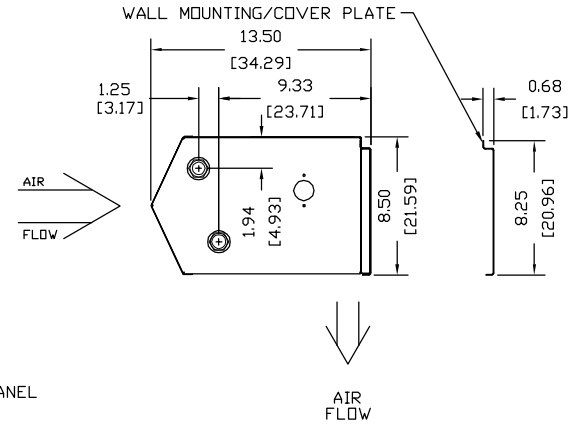
Berner reserves the right to alter specifications without prior notice.



CLC08

HOT WATER HEATED

END VIEW



NOTES:

- ⚠ AIR CURTAIN MUST BE INSTALLED SO AIR STREAM IS NOT OBSTRUCTED WHEN DEFLECTED 20° TO EITHER SIDE OF C.
- ⚡ ELECTRICAL CONNECTIONS TO BE FLEXIBLE.
- ⚠ FIELD VERIFY DIMENSIONS.
- ⚠ ANCHORS TO SUPPORTING STRUCTURE BY OTHERS.
- ⚠ ADEQUACY OF SUPPORTING STRUCTURE IS TO BE VERIFIED BY A PROFESSIONAL STRUCTURAL ENGINEER.
- ⚠ LETTER "W" IN MODEL NUMBER DESIGNATES HOT WATER UNIT.
- ⚠ DIMENSIONS IN INCHES [CENTIMETERS].

MODEL ⚠	NOZZLE WIDTH "A"	UNIT WIDTH "B"	MOUNTING WIDTH "C"	ELECTRIC WIDTH "D"
CLC08-1036W	34.62 [87.95]	36.06 [91.60]	35.50 [90.17]	7.13 [18.10]
CLC08-1042W	40.62 [103.17]	42.06 [106.83]	41.50 [105.41]	13.13 [33.34]
CLC08-1048W	46.62 [118.41]	48.06 [122.07]	47.50 [120.65]	13.13 [33.34]
CLC08-1060W	58.13 [147.65]	59.55 [151.26]	59.00 [149.86]	18.88 [47.94]
CLC08-1072W	71.37 [181.28]	72.81 [184.94]	72.25 [183.52]	25.50 [64.80]
CLC08-2084W	83.50 [212.09]	84.94 [215.74]	84.38 [214.31]	13.13 [33.34]
CLC08-2096W	95.50 [242.57]	96.94 [246.23]	96.38 [244.79]	13.13 [33.34]
CLC08-2108W	107.00 [271.78]	108.44 [275.44]	107.88 [274.00]	18.88 [47.94]
CLC08-2120W	118.50 [300.99]	119.94 [304.65]	119.38 [303.21]	18.88 [47.94]

PROJECT		
LOCATION		
ARCHITECT		
ENGINEER		
DWG. NO.	CLC08-WTR	TITLE: BERNER
DATE	28MAR2016	MODEL CLC08 AIR CURTAIN
BY	S. Beil	HOT WATER HEATED SYSTEM
REPLACES	14OCT14	
BY	S. Beil	BERNER INTERNATIONAL CORP. NEW CASTLE, PA.