



INDUSTRIAL FLY STOP 16

Ambient (Unheated) Air Curtain

Data Sheet

For Door Heights To 16' (insect control)

STANDARD CONSTRUCTION

- 2 hp single speed T.E.A.O. motor(s) - direct drive
- Gray powder coated exterior (Optional: Custom Color)
- OSHA approved inlet guards
- Wall Mounting only
- Top air intake only
- Optional: Weather hood (1) per motor

5 Year
Limited
Warranty



MODEL	Nozzle Width (in)	Max Vel. at Nozzle (fpm)	Avg. Outlet Vel. (fpm)	Air Volume (cfm)	Outlet Vel. Uniformity	Power Rating (kW)	Motor(s) @ hp	Net Wt. (lbs)
FLY16-1042A	42.00	5,000	4,663	6,800	92%	2.42	1 @ 2	180
FLY16-1051A	51.00	5,000	4,235	7,500	90%	2.44	1 @ 2	190
FLY16-1066A	66.00	5,000	3,665	8,400	85%	2.45	1 @ 2	205
FLY16-1072A	72.00	5,000	3,400	8,500	84%	2.46	1 @ 2	215
FLY16-2076A	76.00	5,000	5,229	13,800	94%	4.84	2 @ 2	315
FLY16-2088A	88.00	5,000	4,844	14,800	92%	4.84	2 @ 2	325
FLY16-2100A	100.00	5,000	4,493	15,600	90%	4.88	2 @ 2	335
FLY16-2120A	120.00	5,000	4,200	17,500	86%	4.90	2 @ 2	355
FLY16-3120A	120.00	5,000	4,896	20,400	93%	7.26	3 @ 2	420
FLY16-3144A	144.00	5,000	4,500	22,500	90%	7.32	3 @ 2	480

NOTE: Operation at 50 Hz will generate approximately a 17% reduction in air performance.
See sheet EP-470 for amp draws/total load requirements.

MODEL NUMBER CONFIGURATION

FLY16-1 042 A D-CC

Series	# of Motors	Opening Width	Heat	Voltage	Opt. Cabinet Finish
FLY16	1, 2, 3	042" - 144"	A=Ambient	D=208/3/60 E=240/3/60 H=480/3/60 I=600/3/60 T=380/3/50	CC=Custom Color

VELOCITY PROFILE: Model FLY16A-1042A			
Distance from Nozzle (ft)	4	7	10
Core Velocity (fpm)	2827	2254	1885

Sound level measured 10' (3m) from the unit in free field:
1, 2, 3 motor(s): 93 dBA, 96 dBA, 98 dBA

Berner reserves the right to alter specifications without prior notice.



INDUSTRIAL FLY STOP 16

Unheated (Ambient) Air Curtain
Electrical Performance Sheet

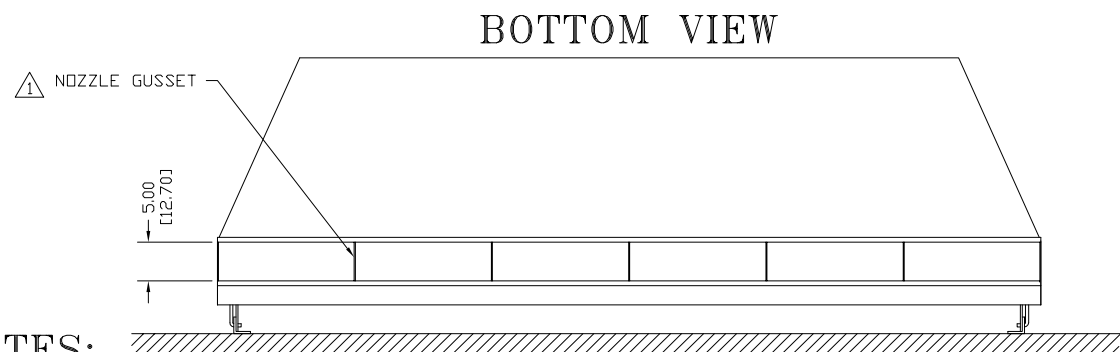
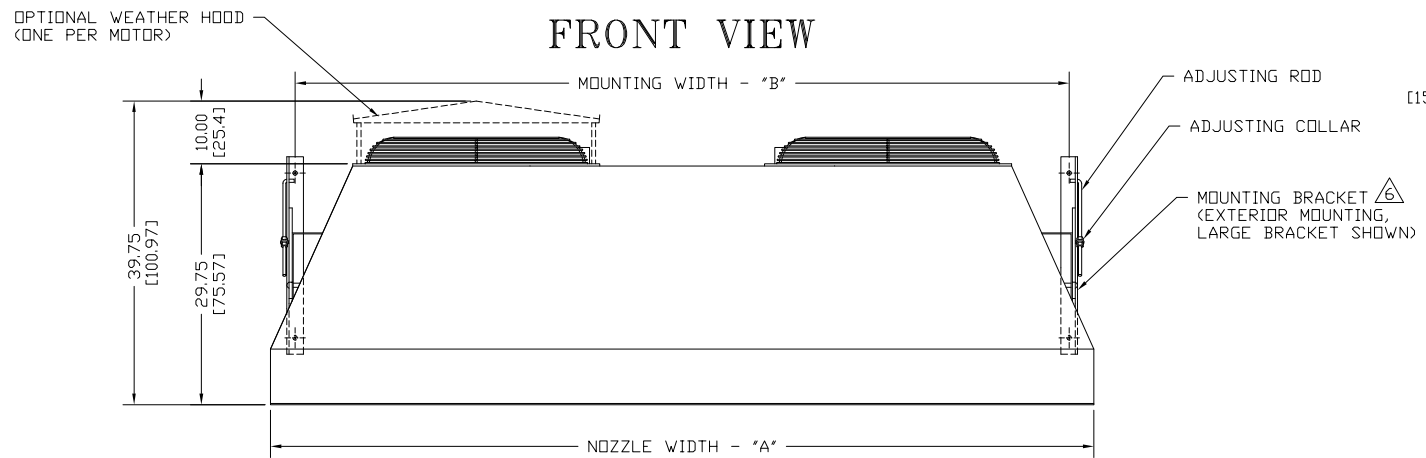
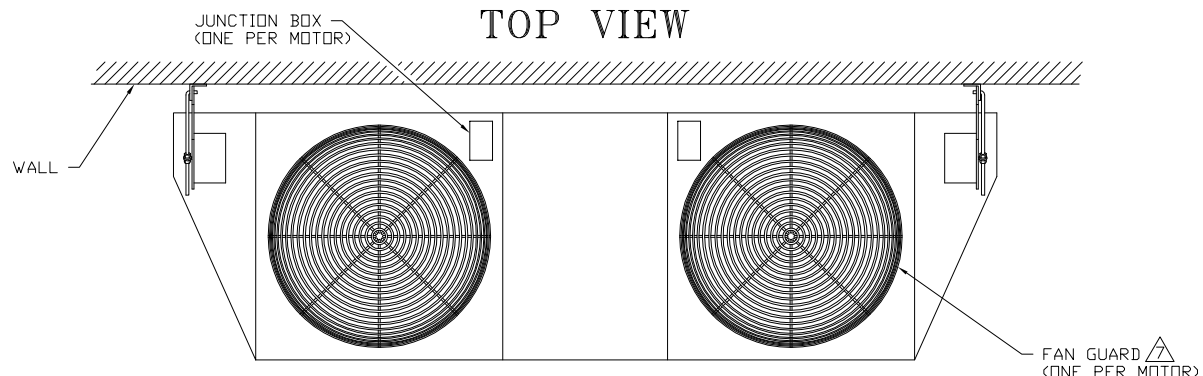
MODEL	# CKTS	208/3/60 (voltage code D) MOTOR AMP DRAW = 6.5 each		# CKTS	240/3/60 (voltage code E) MOTOR AMP DRAW = 6.0 each		# CKTS	480/3/60 (voltage code H) MOTOR AMP DRAW = 3.0 each	
		AMPS PER CIRCUIT	BREAKER RATING PER CIRCUIT		AMPS PER CIRCUIT	BREAKER RATING PER CIRCUIT		AMPS PER CIRCUIT	BREAKER RATING PER CIRCUIT
FLY16-1042A FLY16-1051A FLY16-1066A FLY16-1072A	1	6.5	15	1	6.0	15	1	3.0	15
FLY16-2076A FLY16-2088A FLY16-2100A FLY16-2120A	1	13	20	1	12.0	20	1	6.0	15
FLY16-3120A FLY16-3144A	1	19.5	25	1	18.0	25	1	9.0	15

MODEL	# CKTS	600/3/60 (voltage code I) MOTOR AMP DRAW = 2.2 each		# CKTS	380/3/50 (voltage code T) MOTOR AMP DRAW = 2.8 each	
		AMPS PER CIRCUIT	BREAKER RATING PER CIRCUIT		AMPS PER CIRCUIT	BREAKER RATING PER CIRCUIT
FLY16-1042A FLY16-1051A FLY16-1066A FLY16-1072A	1	2.2	15	1	2.8	15
FLY16-2076A FLY16-2088A FLY16-2100A FLY16-2120A	1	4.4	15	1	5.6	15
FLY16-3120A FLY16-3144A	1	6.6	15	1	8.4	15

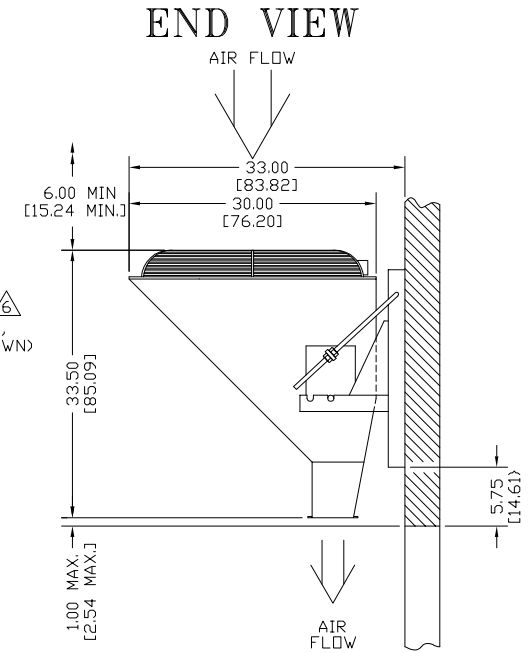
Berner reserves the right to alter specifications without prior notice.

www.berner.com **Berner International** 800.245-4455
111 Progress Ave. / New Castle / PA / 16101 / USA

EP-470
June, 2019



FLY16 AMBIENT SYSTEM FLYSTOP



MODEL [△]	NOZZLE WIDTH "A"	MOUNTING WIDTH "B"
FLY16-1042A	42.00 [106.68]	37.00 [93.98]
FLY16-1051A	51.00 [129.54]	42.50 [107.95]
FLY16-1066A	66.00 [167.64]	53.88 [136.84]
FLY16-1072A	72.00 [182.88]	53.88 [136.84]
FLY16-2076A	76.00 [193.04]	72.00 [182.88]
FLY16-2088A	88.00 [223.52]	83.00 [210.82]
FLY16-2100A	100.00 [254.00]	94.00 [238.76]
FLY16-2120A	120.00 [304.80]	114.00 [289.56]
FLY16-3120A	120.00 [304.80]	114.00 [289.56]
FLY16-3144A	144.00 [365.76]	137.50 [349.25]

NOTES:

- [△] AIR CURTAIN MUST BE INSTALLED SO AIR STREAM IS NOT OBSTRUCTED WHEN DEFLECTED 20° TO EITHER SIDE OF C.
- [△] ELECTRICAL CONNECTIONS TO BE FLEXIBLE.
- [△] FIELD VERIFY DIMENSIONS.
- [△] ANCHORS TO SUPPORTING STRUCTURE BY OTHERS.
- [△] ADEQUACY OF SUPPORTING STRUCTURE IS TO BE VERIFIED BY A PROFESSIONAL STRUCTURAL ENGINEER.
- [△] USE LARGE MOUNTING BRACKET FOR ALL UNITS 76" AND ABOVE.
- [△] TWO MOTOR FLY STOP AIR CURTAIN SHOWN.
- [△] SEE DRAWING FLY16-MNT FOR MOUNTING BRACKET DIMENSIONS AND INSTALLATION INSTRUCTIONS.
- [△] LETTER "A" IN MODEL NUMBER DESIGNATES AMBIENT UNIT.
- [△] DIMENSIONS IN INCHES [CENTIMETERS].

PROJECT		
LOCATION		
ARCHITECT		
ENGINEER		REV. -
DWG. NO.	FLY16-AMB	TITLE: BERNER
DATE	28MAY14	MODEL FLY16 AIR CURTAIN
BY	S. Beil	FLYSTOP AMBIENT SYSTEM
REPLACES	-	BERNER INTERNATIONAL CORP. NEW CASTLE, PA.
BY	-	