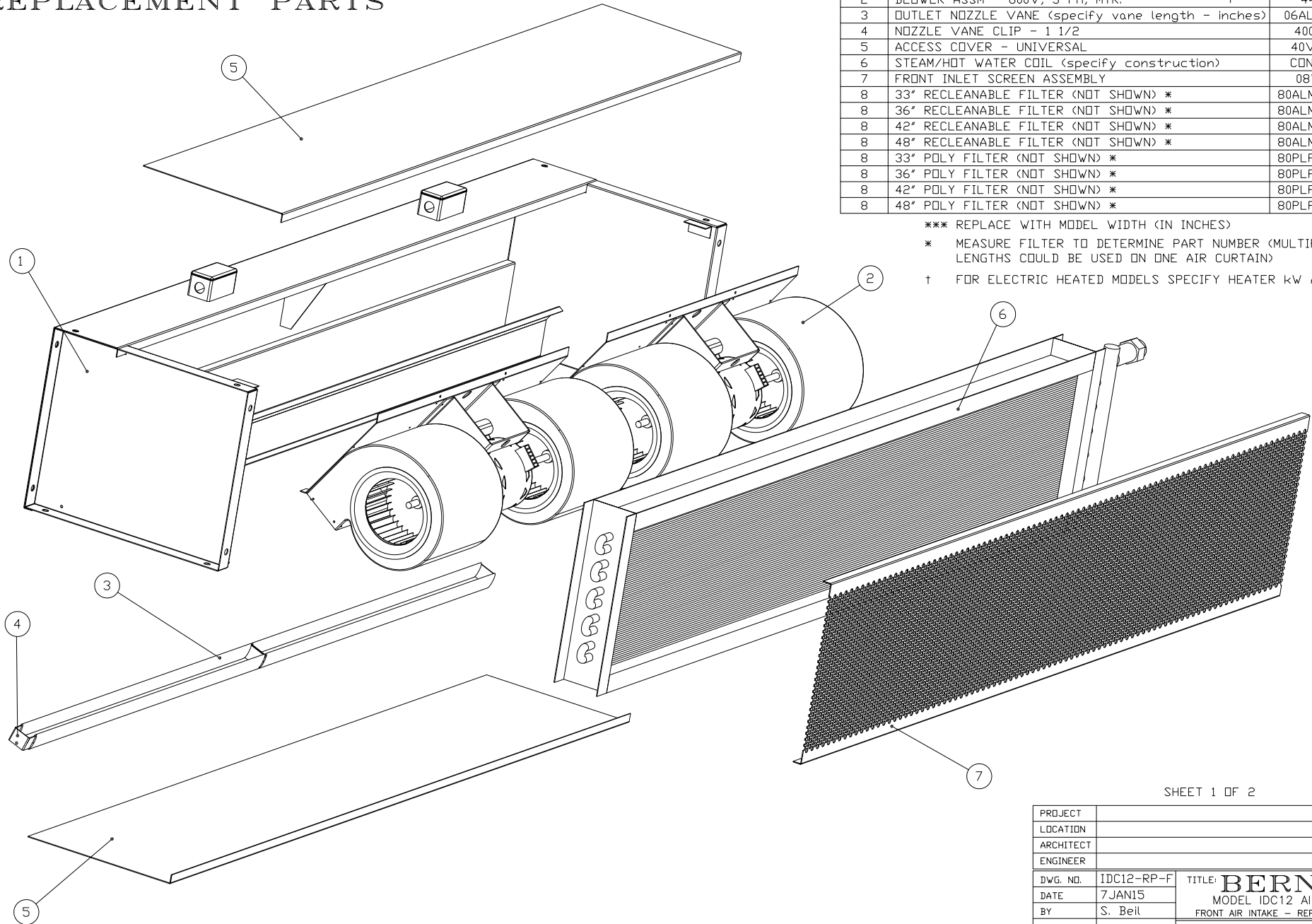


IDC12

FRONT AIR INTAKE REPLACEMENT PARTS



ITEM	DESCRIPTION	PART #
1	MAIN CHANNEL - WELDED, GRAY POWDER	43VS-***MC-GP
2	BLOWER ASSM - 120V, 1 PH, MTR. †	44VSA030AA
2	BLOWER ASSM - 208-240V, 1 PH, MTR. †	44VSA030AB
2	BLOWER ASSM - 480V, 1 PH, MTR. †	44VSA030AZ
2	BLOWER ASSM - 600V, 1 PH, MTR. †	44VSA030AQ
2	BLOWER ASSM - 208-240/480V, 3 PH, MTR. †	44VSA030AG
2	BLOWER ASSM - 600V, 3 PH, MTR. †	44VSA030AI
3	OUTLET NOZZLE VANE (specify vane length - inches)	06ALM516ARF-121
4	NOZZLE VANE CLIP - 1 1/2	40GEN-NVC-1012
5	ACCESS COVER - UNIVERSAL	40VS-***AC-U
6	STEAM/HOT WATER COIL (specify construction)	CONSULT FACT.
7	FRONT INLET SCREEN ASSEMBLY	08VS-***ISA
8	33" RECLEANABLE FILTER (NOT SHOWN) *	80ALM1F2GLV-1533
8	36" RECLEANABLE FILTER (NOT SHOWN) *	80ALM1F2GLV-1536
8	42" RECLEANABLE FILTER (NOT SHOWN) *	80ALM1F2GLV-1542
8	48" RECLEANABLE FILTER (NOT SHOWN) *	80ALM1F2GLV-1548
8	33" POLY FILTER (NOT SHOWN) *	80PLP1F2GLV-1533
8	36" POLY FILTER (NOT SHOWN) *	80PLP1F2GLV-1536
8	42" POLY FILTER (NOT SHOWN) *	80PLP1F2GLV-1542
8	48" POLY FILTER (NOT SHOWN) *	80PLP1F2GLV-1548

*** REPLACE WITH MODEL WIDTH (IN INCHES)

* MEASURE FILTER TO DETERMINE PART NUMBER (MULTIPLE LENGTHS COULD BE USED ON ONE AIR CURTAIN)

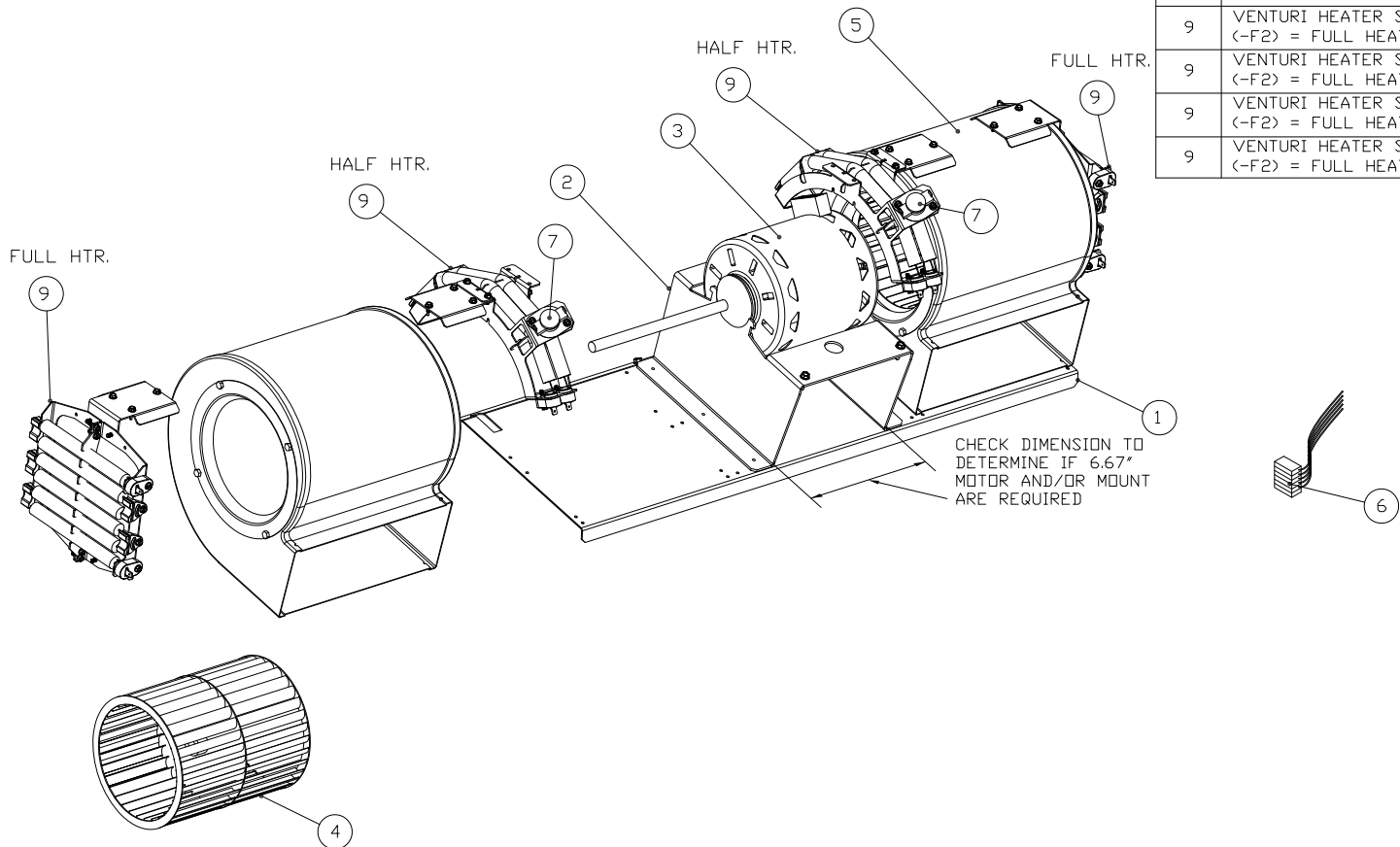
† FOR ELECTRIC HEATED MODELS SPECIFY HEATER KW AND VOLTAGE

SHEET 1 OF 2

PROJECT		
LOCATION		
ARCHITECT		
ENGINEER		REV. -
DWG. NO.	IDC12-RP-F	TITLE: BERNER
DATE	7JAN15	MODEL IDC12 AIR CURTAIN
BY	S. Beil	FRONT AIR INTAKE - REPLACEMENT PARTS
REPLACES	-	
BY	-	BERNER INTERNATIONAL CORP. NEW CASTLE, PA.

IDC12

BLOWER ASSEMBLY REPLACEMENT PARTS



ITEM	DESCRIPTION	PART #	
1	BLOWER MOUNTING PLATE	40VS-030BMP	
2	MOTOR MOUNT 1/2 HP, 1 PH	40VSA012MMC-1F2	
2	MOTOR MOUNT 1/2 HP, 1 PH- 6.67" WIDE	40VSA012MMC-1F2-A	
2	MOTOR MOUNT 1/2 HP, 3 PH	40VSA012MMG-1F2	
3	MTR - 1/2 HP, 1 SPD, (208-240/480V, 3 PH)	011F2048F1X18G	
3	MTR - 1/2 HP, 1 SPD, (600V, 3 PH)	011F2048F1X18I	
3	MTR - 1/2 HP, MULTI SPD, (120V, 1 PH)	011F2048F4X18A	
3	MTR - 1/2 HP, MULTI SPD, (120V, 1 PH - 6.67" WIDE)	011F2048F4X18A-A	
3	MTR - 1/2 HP, MULTI SPD, (208-240V, 1 PH)	011F2048F4X18B	
3	MTR - 1/2 HP, MULTI SPD, (208-240V, 1 PH - 6.67" WIDE)	011F2048F4X18B-A	
3	MTR - 1/2 HP, MULTI SPD, (480V, 1 PH - 6.67" WIDE)	011F2048F4X18Z-A	
3	MTR - 1/2 HP, MULTI SPD, (600V, 1 PH - 6.67" WIDE)	011F2048F4X18Q-A	
4	BLOWER WHEEL ONLY	0204063112L	
5	BLOWER WHEEL & HOUSING ASSM	29B631S012G-L	
6	120/208-240V WIRING HARNESS - 1 & 3 SPD, 1 PH (mtr.)	505WH115ARA	
6	480V WIRING HARNESS - 1 SPD, 1 PH (mtr.)	505WH230LWA	
6	480-600V WIRING HARNESS - 3 SPD, 1 PH (mtr.)	505WH0006MC	
7	THERMAL CUTOFF (PROVIDED WITH NEW HEATER)- AVAILABLE AS REPL. PART	36A145-105-90	
8	MOTOR CLIP-TWO PER MOTOR (NOT SHOWN)	32LWA000CLP	
9	VENTURI HEATER SET (7KW 208V) - new (-F) = FULL HEATER, (-H) = HALF HEATER	†	11VTH047D-F 11VTH023D-H
9	VENTURI HEATER SET (7KW 240V) - new (-F) = FULL HEATER, (-H) = HALF HEATER	†	11VTH047E-F 11VTH023E-H
9	VENTURI HEATER SET (7KW 480V) - new (-F) = FULL HEATER, (-H) = HALF HEATER	†	11VTH047H-F 11VTH023H-H
9	VENTURI HEATER SET (7KW 600V) - new (-F2) = FULL HEATER, (-H2) = HALF HEATER	†	11VTH047I-F2 11VTH023I-H2
9	VENTURI HEATER SET (5KW 600V) - new (-F2) = FULL HEATER, (-H2) = HALF HEATER	†	11VTH033I-F2 11VTH017I-H2
9	VENTURI HEATER SET (4KW 600V) - new (-F2) = FULL HEATER, (-H2) = HALF HEATER	†	11VTH027I-F2 11VTH013I-H2
9	VENTURI HEATER SET (3KW 600V) - new (-F2) = FULL HEATER, (-H2) = HALF HEATER	†	11VTH020I-F2 11VTH010I-H2

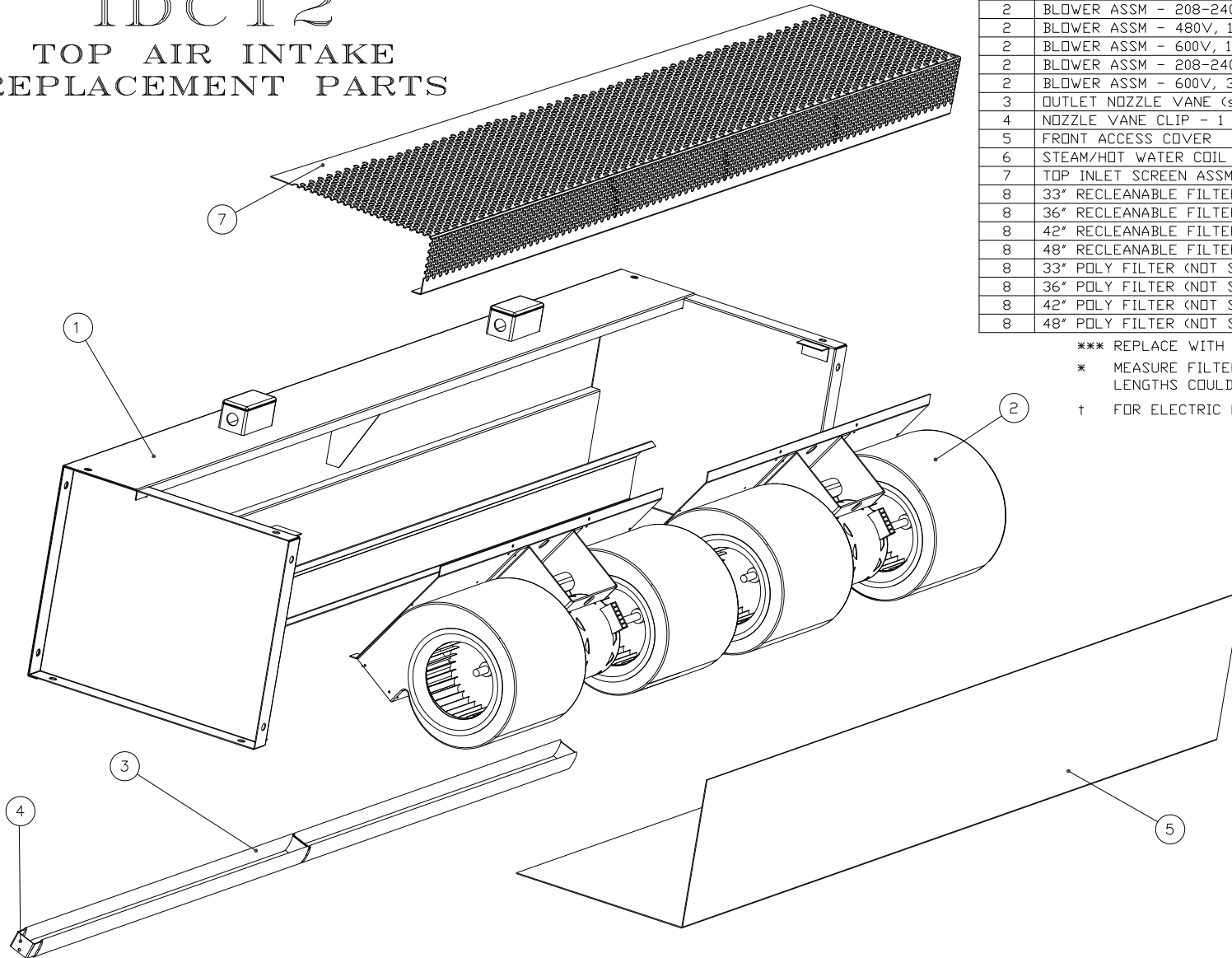
† BOTH HEATERS ARE REQUIRED FOR FULL KW

SHEET 2 OF 2

PROJECT		
LOCATION		
ARCHITECT		
ENGINEER		REV. -
DWG. NO.	IDC12-RP-F	TITLE: BERNER
DATE	7JAN15	MODEL IDC12 AIR CURTAIN
BY	S. Beil	FRONT AIR INTAKE - REPLACEMENT PARTS
REPLACES	-	
BY	-	BERNER INTERNATIONAL CORP. NEW CASTLE, PA.

IDC12

TOP AIR INTAKE REPLACEMENT PARTS



ITEM	DESCRIPTION	PART #
1	MAIN CHANNEL- WELDED, GRAY POWDER	43VS-***MC-GP
2	BLOWER ASSM - 120V, 1 PH, MTR. †	44VSA030AA
2	BLOWER ASSM - 208-240V, 1 PH, MTR. †	44VSA030AB
2	BLOWER ASSM - 480V, 1 PH, MTR. †	44VSA030AZ
2	BLOWER ASSM - 600V, 1 PH, MTR. †	44VSA030AQ
2	BLOWER ASSM - 208-240/480V, 3 PH, MTR. †	44VSA030AG
2	BLOWER ASSM - 600V, 3 PH, MTR. †	44VSA030AI
3	OUTLET NOZZLE VANE (specify vane length - inches)	06ALM516ARF-121
4	NOZZLE VANE CLIP - 1 1/2	40GEN-NVC-1012
5	FRONT ACCESS COVER	40VS-***AC-T
6	STEAM/HOT WATER COIL - NOT SHOWN (spec const.)	CONSULT FACT.
7	TOP INLET SCREEN ASSM	08VS-***ISA-T
8	33" RECLEANABLE FILTER (NOT SHOWN) *	80ALM1F2GLV-1533
8	36" RECLEANABLE FILTER (NOT SHOWN) *	80ALM1F2GLV-1536
8	42" RECLEANABLE FILTER (NOT SHOWN) *	80ALM1F2GLV-1542
8	48" RECLEANABLE FILTER (NOT SHOWN) *	80ALM1F2GLV-1548
8	33" POLY FILTER (NOT SHOWN) *	80PLP1F2GLV-1533
8	36" POLY FILTER (NOT SHOWN) *	80PLP1F2GLV-1536
8	42" POLY FILTER (NOT SHOWN) *	80PLP1F2GLV-1542
8	48" POLY FILTER (NOT SHOWN) *	80PLP1F2GLV-1548

*** REPLACE WITH MODEL WIDTH (IN INCHES)

* MEASURE FILTER TO DETERMINE PART NUMBER (MULTIPLE LENGTHS COULD BE USED ON ONE AIR CURTAIN)

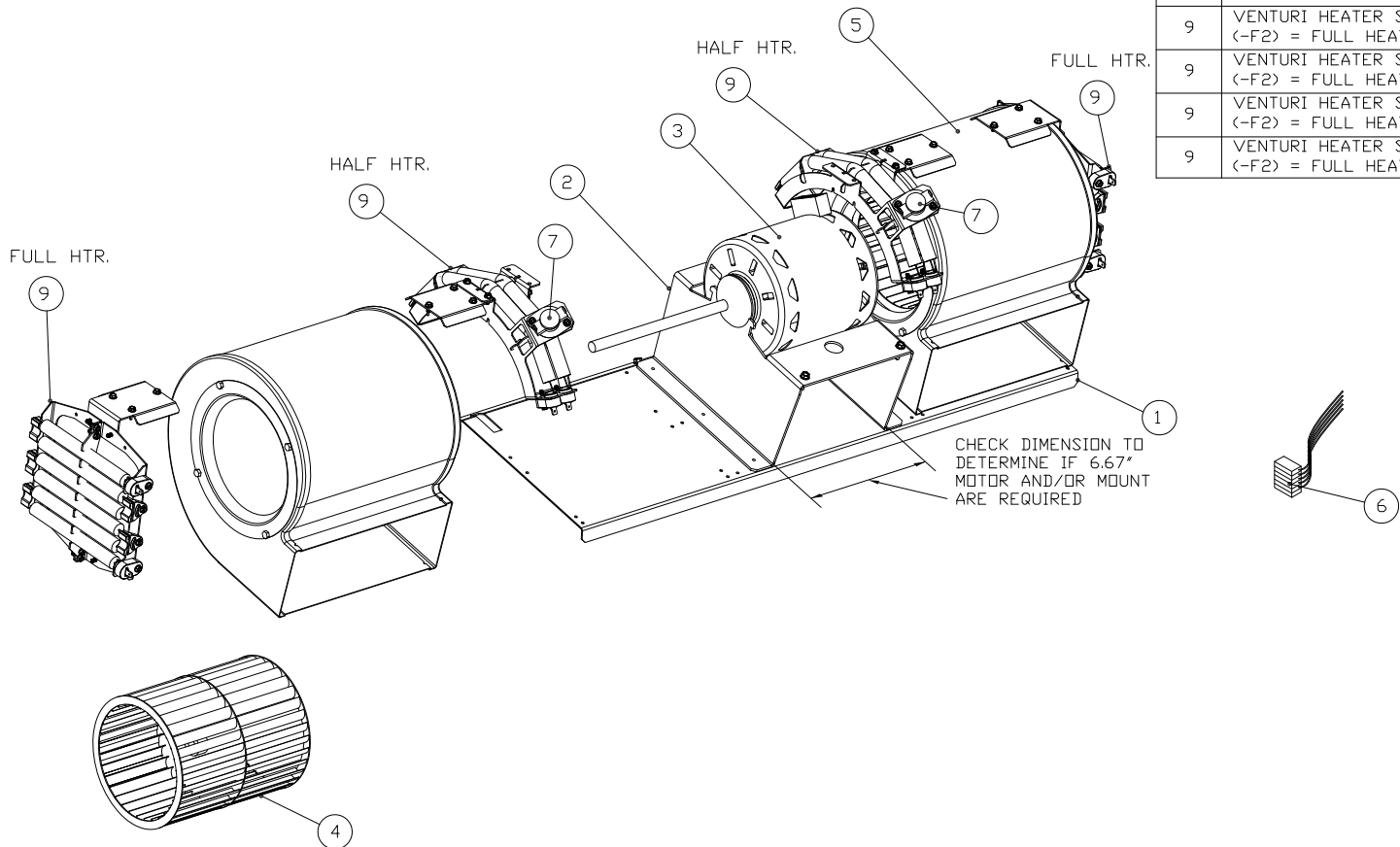
† FOR ELECTRIC HEATED MODELS SPECIFY HEATER kW AND VOLTAGE

SHEET 1 OF 2

PROJECT		
LOCATION		
ARCHITECT		
ENGINEER		REV. -
DWG. NO.	IDC12-RP-T	TITLE: BERNER MODEL IDC12 AIR CURTAIN TOP AIR INTAKE - REPLACEMENT PARTS
DATE	7JAN15	
BY	S. Beil	BERNER INTERNATIONAL CORP. NEW CASTLE, PA.
REPLACES	-	
BY	-	

IDC12

BLOWER ASSEMBLY REPLACEMENT PARTS



ITEM	DESCRIPTION	PART #	
1	BLOWER MOUNTING PLATE	40VS-030BMP	
2	MOTOR MOUNT 1/2 HP, 1 PH	40VSA012MMC-1F2	
2	MOTOR MOUNT 1/2 HP, 1 PH- 6.67" WIDE	40VSA012MMC-1F2-A	
2	MOTOR MOUNT 1/2 HP, 3 PH	40VSA012MMG-1F2	
3	MTR - 1/2 HP, 1 SPD, (120V, 1 PH)	011F2048F4X18A	
3	MTR - 1/2 HP, 1 SPD, (120V, 1 PH - 6.67" WIDE)	011F2048F4X18A-A	
3	MTR - 1/2 HP, MULTI SPD, (208-240V, 1 PH)	011F2048F4X18B	
3	MTR - 1/2 HP, MULTI SPD, (208-240V, 1 PH - 6.67" WIDE)	011F2048F4X18B-A	
3	MTR - 1/2 HP, MULTI SPD, (480V, 1 PH - 6.67" WIDE)	011F2048F4X18Z-A	
3	MTR - 1/2 HP, MULTI SPD, (600V, 1 PH - 6.67" WIDE)	011F2048F4X18Q-A	
3	MTR - 1/2 HP, MULTI SPD, (208-240/480V, 3 PH)	011F2048F1X18G	
3	MTR - 1/2 HP, MULTI SPD, (600V, 3 PH)	011F2048F1X18I	
4	BLOWER WHEEL ONLY	0204063112L	
5	BLOWER WHEEL & HOUSING ASSM	29B631S012G-L	
6	120/208-240V WIRING HARNESS - 1 & 3 SPD, 1 PH (mtr.)	505WH115ARA	
6	480V WIRING HARNESS - 1 SPD, 1 PH (mtr.)	505WH230LWA	
6	480-600V WIRING HARNESS - 3 SPD, 1 PH (mtr.)	505WH0006MC	
7	THERMAL CUTOUT (PROVIDED WITH NEW HEATER)- AVAILABLE AS REPL. PART	36A145-105-90	
8	MOTOR CLIP-TWO PER MOTOR (NOT SHOWN)	32LWA000CLP	
9	VENTURI HEATER SET (7KW 208V) - new (-F) = FULL HEATER, (-H) = HALF HEATER	†	11VTH047D-F 11VTH023D-H
9	VENTURI HEATER SET (7KW 240V) - new (-F) = FULL HEATER, (-H) = HALF HEATER	†	11VTH047E-F 11VTH023E-H
9	VENTURI HEATER SET (7KW 480V) - new (-F) = FULL HEATER, (-H) = HALF HEATER	†	11VTH047H-F 11VTH023H-H
9	VENTURI HEATER SET (7KW 600V) - new (-F2) = FULL HEATER, (-H2) = HALF HEATER	†	11VTH047I-F2 11VTH023I-H2
9	VENTURI HEATER SET (5KW 600V) - new (-F2) = FULL HEATER, (-H2) = HALF HEATER	†	11VTH033I-F2 11VTH017I-H2
9	VENTURI HEATER SET (4KW 600V) - new (-F2) = FULL HEATER, (-H2) = HALF HEATER	†	11VTH027I-F2 11VTH013I-H2
9	VENTURI HEATER SET (3KW 600V) - new (-F2) = FULL HEATER, (-H2) = HALF HEATER	†	11VTH020I-F2 11VTH010I-H2

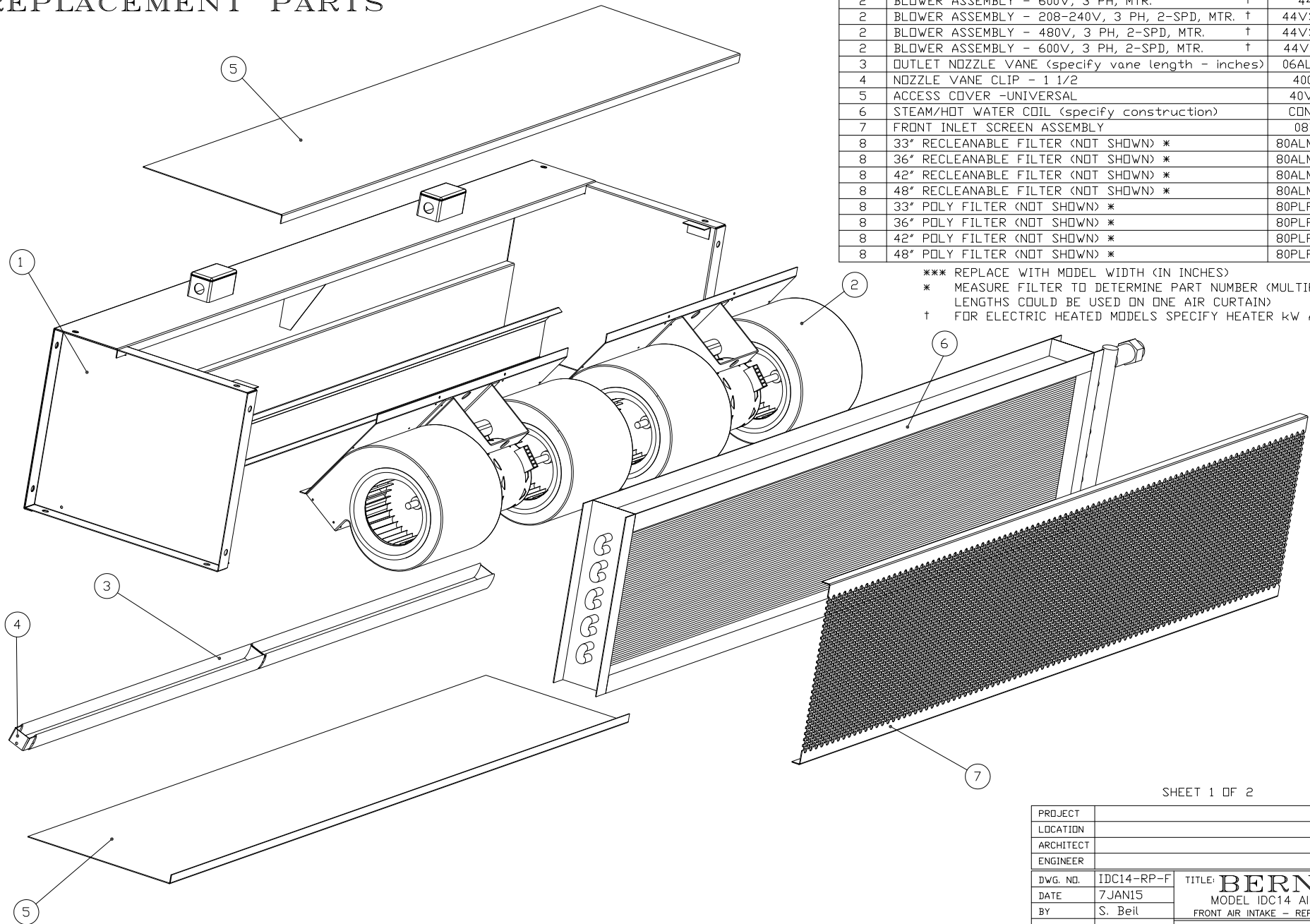
† BOTH HEATERS ARE REQUIRED FOR FULL KW

SHEET 2 OF 2

PROJECT		
LOCATION		
ARCHITECT		
ENGINEER		REV. -
DWG. NO.	IDC12-RP-T	TITLE: BERNER
DATE	7JAN15	MODEL IDC12 AIR CURTAIN
BY	S. Beil	TOP AIR INTAKE - REPLACEMENT PARTS
REPLACES	-	
BY	-	BERNER INTERNATIONAL CORP. NEW CASTLE, PA.

IDC14

FRONT AIR INTAKE REPLACEMENT PARTS



ITEM	DESCRIPTION	PART #
1	MAIN CHANNEL - WELDED, GRAY POWDER	43VS-***MC-GP
2	BLOWER ASSEMBLY - 120V, 1 PH, MTR. †	44VSB030AA
2	BLOWER ASSEMBLY - 208-240V, 1 PH, MTR. †	44VSB030AB
2	BLOWER ASSEMBLY - 480V, 1 PH, MTR. †	44VSB030AZ
2	BLOWER ASSEMBLY - 600V, 1 PH, MTR. †	44VSB030AQ
2	BLOWER ASSEMBLY - 480V, 3 PH, MTR. †	44VSB030AG
2	BLOWER ASSEMBLY - 600V, 3 PH, MTR. †	44VSB030AI
2	BLOWER ASSEMBLY - 208-240V, 3 PH, 2-SPD, MTR. †	44VSB030AE-2X
2	BLOWER ASSEMBLY - 480V, 3 PH, 2-SPD, MTR. †	44VSB030AH-2X
2	BLOWER ASSEMBLY - 600V, 3 PH, 2-SPD, MTR. †	44VSB030AI-2X
3	OUTLET NOZZLE VANE (specify vane length - inches)	06ALM516ARF-121
4	NOZZLE VANE CLIP - 1 1/2	40GEN-NVC-1012
5	ACCESS COVER -UNIVERSAL	40VS-***AC-U
6	STEAM/HOT WATER COIL (specify construction)	CONSULT FACT.
7	FRONT INLET SCREEN ASSEMBLY	08VS-***ISA
8	33" RECLEANABLE FILTER (NOT SHOWN) *	80ALM1F2GLV-1533
8	36" RECLEANABLE FILTER (NOT SHOWN) *	80ALM1F2GLV-1536
8	42" RECLEANABLE FILTER (NOT SHOWN) *	80ALM1F2GLV-1542
8	48" RECLEANABLE FILTER (NOT SHOWN) *	80ALM1F2GLV-1548
8	33" POLY FILTER (NOT SHOWN) *	80PLP1F2GLV-1533
8	36" POLY FILTER (NOT SHOWN) *	80PLP1F2GLV-1536
8	42" POLY FILTER (NOT SHOWN) *	80PLP1F2GLV-1542
8	48" POLY FILTER (NOT SHOWN) *	80PLP1F2GLV-1548

*** REPLACE WITH MODEL WIDTH (IN INCHES)

* MEASURE FILTER TO DETERMINE PART NUMBER (MULTIPLE LENGTHS COULD BE USED ON ONE AIR CURTAIN)

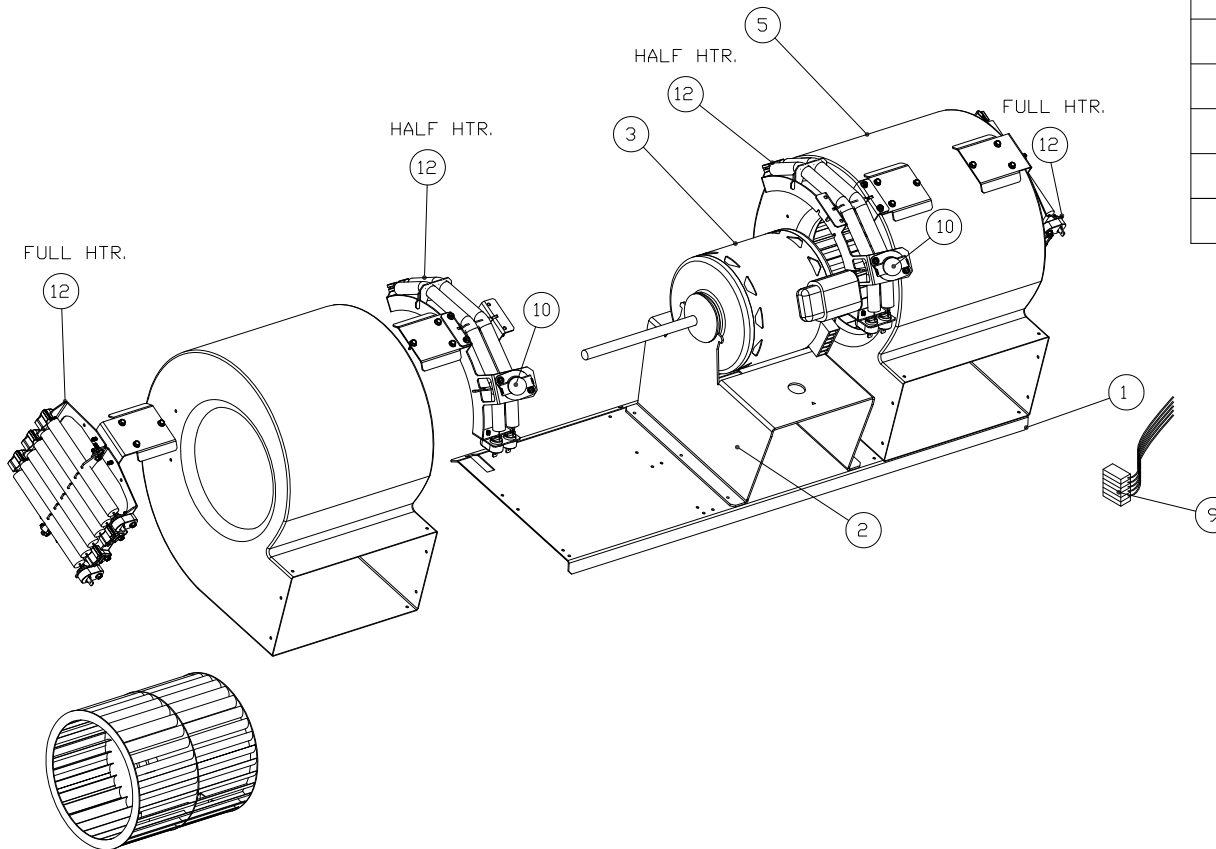
† FOR ELECTRIC HEATED MODELS SPECIFY HEATER kW AND VOLTAGE

SHEET 1 OF 2

PROJECT		
LOCATION		
ARCHITECT		
ENGINEER		REV. -
DWG. NO.	IDC14-RP-F	TITLE: BERNER
DATE	7JAN15	MODEL IDC14 AIR CURTAIN
BY	S. Beil	FRONT AIR INTAKE - REPLACEMENT PARTS
REPLACES	-	
BY	-	BERNER INTERNATIONAL CORP. NEW CASTLE, PA.

IDC 14

BLOWER ASSEMBLY REPLACEMENT PARTS



ITEM	DESCRIPTION	PART #
1	BLOWER MOUNTING PLATE	40VS-030BMP
2	MOTOR MOUNT 1 HP, 1 PH	40VSB012MMC-001
2	MOTOR MOUNT 1 HP, 1 PH (for 480/600/1PH motors)	40VSB012MMZ-001
2	MOTOR MOUNT 1 HP, 3 PH	40VSB012MMG-001
2	MOTOR MOUNT 1 HP, 3 PH, (for 2-SPD motors)	40VSB012MMG-001-2X
3	MTR - 1 HP, 1 SPD, (208-240/480V, 3 PH)	01001056F1X18G
3	MTR - 1 HP, 1 SPD, (600V, 3 PH)	01001056F1X18I
3	MTR - 1 HP, 2 SPD, (120V, 1 PH)	01001048F2X18A
3	MTR - 1 HP, 2 SPD, (208-240V, 1 PH)	01001048F2X18B
3	MTR - 1 HP, 2 SPD, (480V, 1 PH)	01001048F2X18Z
3	MTR - 1 HP, 2 SPD, (600V, 1 PH)	01001048F2X18Q
3	MTR - 1 HP, 2 SPD, (208-240V, 3 PH)	01001056F2X18E
3	MTR - 1 HP, 2 SPD, (480V, 3PH)	01001056F2X18H
3	MTR - 1 HP, 2 SPD, (600V, 3PH)	01001056F2X18I
5	BLOWER WHEEL & HOUSING ASSM (3 PHASE)	29B712S034G-L
5	BLOWER WHEEL & HOUSING ASSM (1 PHASE)	29B712S058G-L
6	120/208-240V WIRING HARNESS - 1 & 3 SPD, 1 PH (mtr.)	505WH15ARA
6	480V WIRING HARNESS - 1 SPD, 1 PH (mtr.)	505WH230LWA
6	480-600V WIRING HARNESS - 3 SPD, 1 PH (mtr.)	505WH0006MC
7	THERMAL CUTOUT (PROVIDED WITH NEW HEATER)- AVAILABLE AS REPL. PART	36A145-105-90
8	MOTOR CLIP-TWO PER MOTOR (NOT SHOWN)	32LWA000CLP
9	VENTURI HEATER SET (7KW 208V) - new (-F) = FULL HEATER, (-H) = HALF HEATER †	11VTH047D-F 11VTH023D-H
9	VENTURI HEATER SET (7KW 240V) - new (-F) = FULL HEATER, (-H) = HALF HEATER †	11VTH047E-F 11VTH023E-H
9	VENTURI HEATER SET (7KW 480V) - new (-F) = FULL HEATER, (-H) = HALF HEATER †	11VTH047H-F 11VTH023H-H
9	VENTURI HEATER SET (7KW 600V) - new (-F2) = FULL HEATER, (-H2) = HALF HEATER †	11VTH047I-F2 11VTH023I-H2
9	VENTURI HEATER SET (5KW 600V) - new (-F2) = FULL HEATER, (-H2) = HALF HEATER †	11VTH033I-F2 11VTH017I-H2
9	VENTURI HEATER SET (4KW 600V) - new (-F2) = FULL HEATER, (-H2) = HALF HEATER †	11VTH027I-F2 11VTH013I-H2
9	VENTURI HEATER SET (3KW 600V) - new (-F2) = FULL HEATER, (-H2) = HALF HEATER †	11VTH020I-F2 11VTH010I-H2

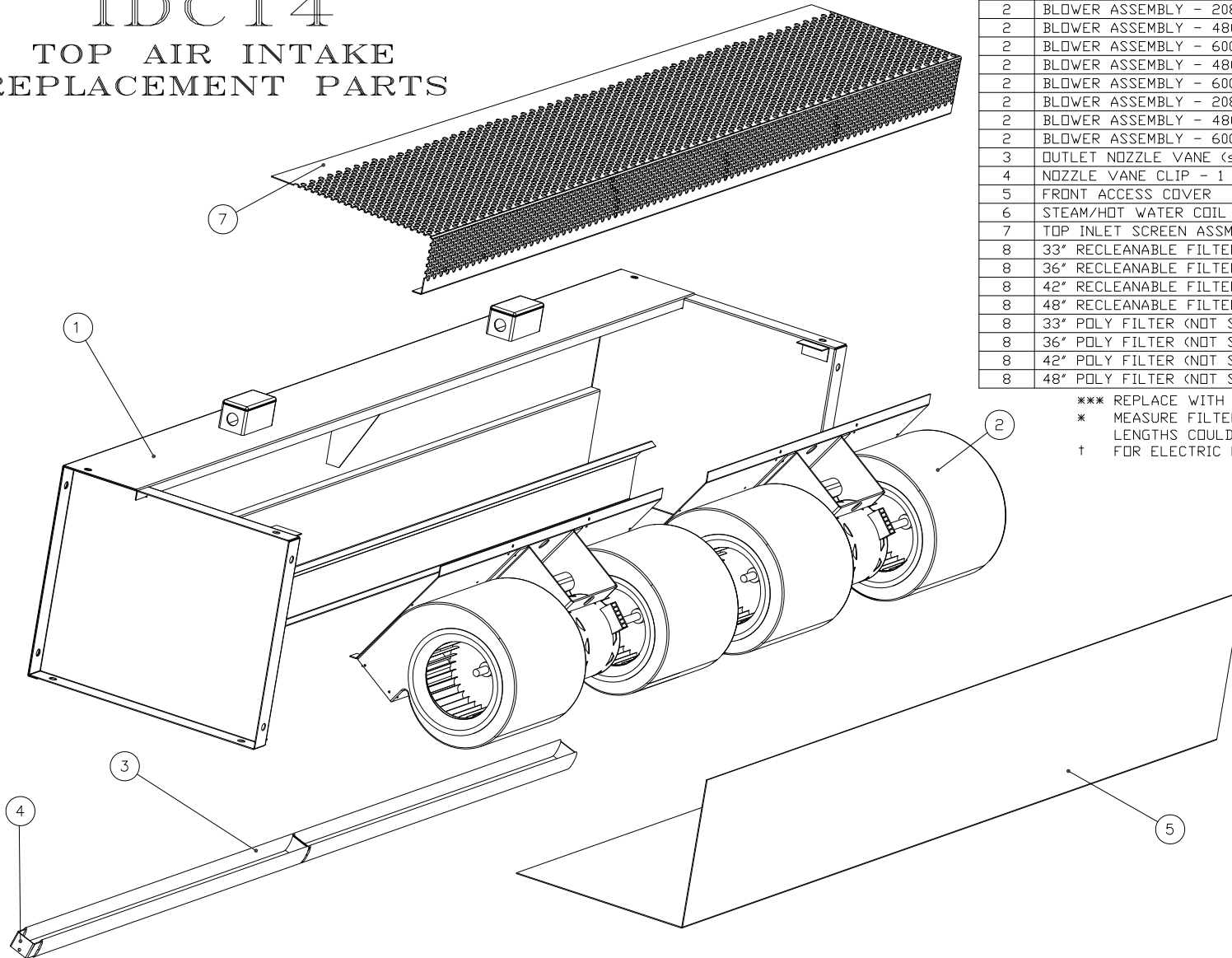
† BOTH HEATERS ARE REQUIRED FOR FULL kW

SHEET 2 OF 2

PROJECT		
LOCATION		
ARCHITECT		
ENGINEER		REV. -
DWG. NO.	IDC14-RP-F	TITLE: BERNER
DATE	7JAN15	MODEL IDC14 AIR CURTAIN
BY	S. Beil	FRONT AIR INTAKE - REPLACEMENT PARTS
REPLACES	-	
BY	-	BERNER INTERNATIONAL CORP. NEW CASTLE, PA.

IDC 14

TOP AIR INTAKE REPLACEMENT PARTS



ITEM	DESCRIPTION	PART #
1	MAIN CHANNEL - WELDED, GRAY POWDER	43VS-***MC-GP
2	BLOWER ASSEMBLY - 120V, 1 PH, MTR. †	44VSB030AA
2	BLOWER ASSEMBLY - 208-240V, 1 PH, MTR. †	44VSB030AB
2	BLOWER ASSEMBLY - 480V, 1 PH, MTR. †	44VSB030AZ
2	BLOWER ASSEMBLY - 600V, 1 PH, MTR. †	44VSB030AQ
2	BLOWER ASSEMBLY - 480V, 3 PH, MTR. †	44VSB030AG
2	BLOWER ASSEMBLY - 600V, 3 PH, MTR. †	44VSB030AI
2	BLOWER ASSEMBLY - 208-240V, 3 PH, 2-SPD, MTR. †	44VSB030AE-2X
2	BLOWER ASSEMBLY - 480V, 3 PH, 2-SPD, MTR. †	44VSB030AH-2X
2	BLOWER ASSEMBLY - 600V, 3 PH, 2-SPD, MTR. †	44VSB030AI-2X
3	OUTLET NOZZLE VANE (specify vane length - inches)	06ALM516ARF-121
4	NOZZLE VANE CLIP - 1 1/2	40GEN-NVC-1012
5	FRONT ACCESS COVER	40VS-***AC-T
6	STEAM/HOT WATER COIL - NOT SHOWN (spec const.)	CONSULT FACT.
7	TOP INLET SCREEN ASSM	08VS-***ISA-T
8	33" RECLEANABLE FILTER (NOT SHOWN) *	80ALM1F2GLV-1533
8	36" RECLEANABLE FILTER (NOT SHOWN) *	80ALM1F2GLV-1536
8	42" RECLEANABLE FILTER (NOT SHOWN) *	80ALM1F2GLV-1542
8	48" RECLEANABLE FILTER (NOT SHOWN) *	80ALM1F2GLV-1548
8	33" POLY FILTER (NOT SHOWN) *	80PLP1F2GLV-1533
8	36" POLY FILTER (NOT SHOWN) *	80PLP1F2GLV-1536
8	42" POLY FILTER (NOT SHOWN) *	80PLP1F2GLV-1542
8	48" POLY FILTER (NOT SHOWN) *	80PLP1F2GLV-1548

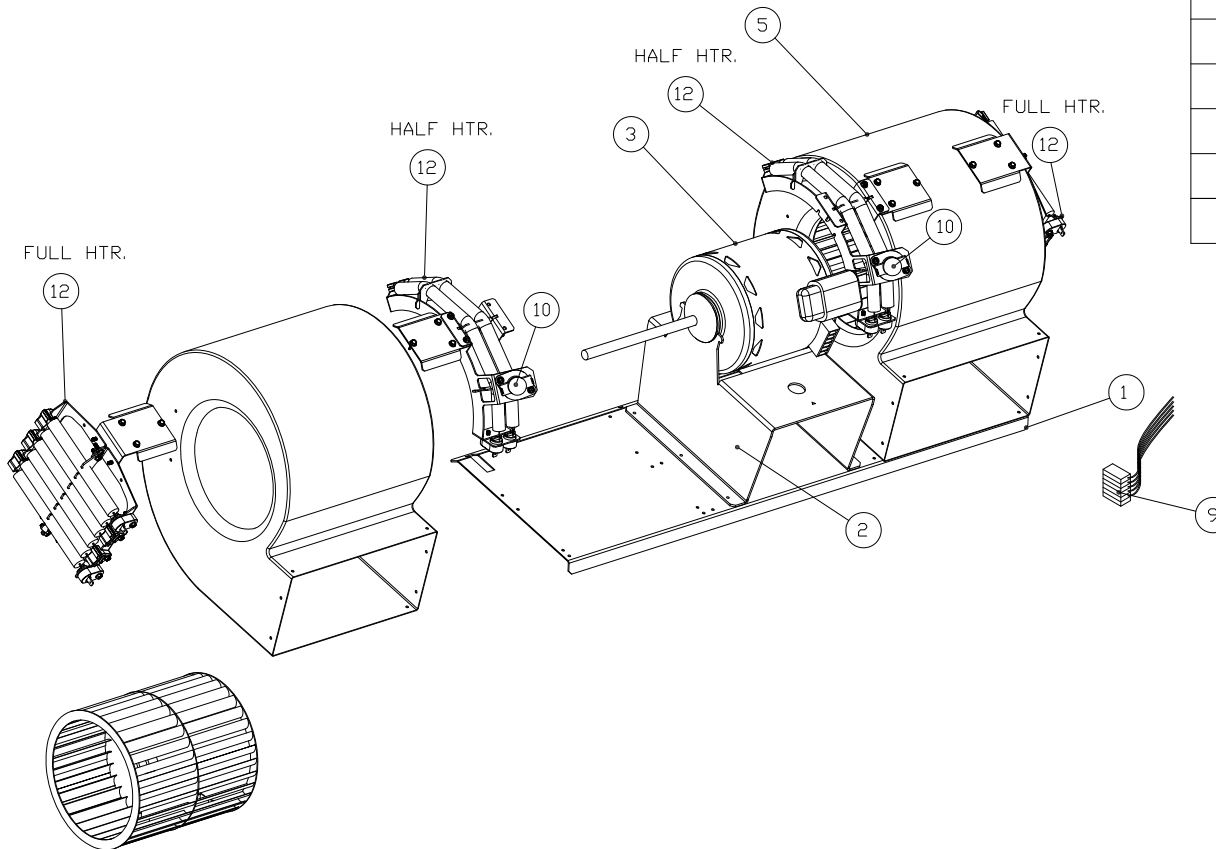
*** REPLACE WITH MODEL WIDTH (IN INCHES)
 * MEASURE FILTER TO DETERMINE PART NUMBER (MULTIPLE LENGTHS COULD BE USED ON ONE AIR CURTAIN)
 † FOR ELECTRIC HEATED MODELS SPECIFY HEATER kW AND VOLTAGE

SHEET 1 OF 2

PROJECT		
LOCATION		
ARCHITECT		
ENGINEER		REV. -
DWG. NO.	IDC14-RP-T	TITLE: BERNER MODEL IDC14 AIR CURTAIN TOP AIR INTAKE - REPLACEMENT PARTS
DATE	7JAN15	
BY	S.Beil	BERNER INTERNATIONAL CORP. NEW CASTLE, PA.
REPLACES	-	
BY	-	

IDC 14

BLOWER ASSEMBLY REPLACEMENT PARTS



ITEM	DESCRIPTION	PART #
1	BLOWER MOUNTING PLATE	40VS-030BMP
2	MOTOR MOUNT 1 HP, 1 PH	40VSB012MMC-001
2	MOTOR MOUNT 1 HP, 1 PH (for 480/600/1PH motors)	40VSB012MMZ-001
2	MOTOR MOUNT 1 HP, 3 PH	40VSB012MMG-001
2	MOTOR MOUNT 1 HP, 3 PH, (for 2-SPD motors)	40VSB012MMG-001-2X
3	MTR - 1 HP, 1 SPD, (208-240/480V, 3 PH)	01001056F1X18G
3	MTR - 1 HP, 1 SPD, (600V, 3 PH)	01001056F1X18I
3	MTR - 1 HP, 2 SPD, (120V, 1 PH)	01001048F2X18A
3	MTR - 1 HP, 2 SPD, (208-240V, 1 PH)	01001048F2X18B
3	MTR - 1 HP, 2 SPD, (480V, 1 PH)	01001048F2X18Z
3	MTR - 1 HP, 2 SPD, (600V, 1 PH)	01001048F2X18Q
3	MTR - 1 HP, 2 SPD, (208-240V, 3 PH)	01001056F2X18E
3	MTR - 1 HP, 2 SPD, (480V, 3PH)	01001056F2X18H
3	MTR - 1 HP, 2 SPD, (600V, 3PH)	01001056F2X18I
5	BLOWER WHEEL & HOUSING ASSM (3 PHASE)	29B712S034G-L
5	BLOWER WHEEL & HOUSING ASSM (1 PHASE)	29B712S058G-L
6	120/208-240V WIRING HARNESS - 1 & 3 SPD, 1 PH (mtr.)	505WH115ARA
6	480V WIRING HARNESS - 1 SPD, 1 PH (mtr.)	505WH230LWA
6	480-600V WIRING HARNESS - 3 SPD, 1 PH (mtr.)	505WH0006MC
7	THERMAL CUTOUT (PROVIDED WITH NEW HEATER)- AVAILABLE AS REPL. PART	36A145-105-90
8	MOTOR CLIP-TWO PER MOTOR (NOT SHOWN)	32LWA000CLP
9	VENTURI HEATER SET (7KW 208V) - new (-F) = FULL HEATER, (-H) = HALF HEATER †	11VTH047D-F 11VTH023D-H
9	VENTURI HEATER SET (7KW 240V) - new (-F) = FULL HEATER, (-H) = HALF HEATER †	11VTH047E-F 11VTH023E-H
9	VENTURI HEATER SET (7KW 480V) - new (-F) = FULL HEATER, (-H) = HALF HEATER †	11VTH047H-F 11VTH023H-H
9	VENTURI HEATER SET (7KW 600V) - new (-F2) = FULL HEATER, (-H2) = HALF HEATER †	11VTH047I-F2 11VTH023I-H2
9	VENTURI HEATER SET (5KW 600V) - new (-F2) = FULL HEATER, (-H2) = HALF HEATER †	11VTH033I-F2 11VTH017I-H2
9	VENTURI HEATER SET (4KW 600V) - new (-F2) = FULL HEATER, (-H2) = HALF HEATER †	11VTH027I-F2 11VTH013I-H2
9	VENTURI HEATER SET (3KW 600V) - new (-F2) = FULL HEATER, (-H2) = HALF HEATER †	11VTH020I-F2 11VTH010I-H2

† BOTH HEATERS ARE REQUIRED FOR FULL kW

SHEET 2 OF 2

PROJECT		
LOCATION		
ARCHITECT		
ENGINEER		REV. -
DWG. NO.	IDC14-RP-T	TITLE: BERNER
DATE	7JAN15	MODEL IDC14 AIR CURTAIN
BY	S.Beil	TOP AIR INTAKE - REPLACEMENT PARTS
REPLACES	-	
BY	-	BERNER INTERNATIONAL CORP. NEW CASTLE, PA.