



INDUSTRIAL DIRECT DRIVE 20

Positive Indirect Gas Heated Air Curtain

Data Sheet

For Mounting Heights To 20' (environmental separation)

STANDARD CONSTRUCTION

- Single speed T.E.A.O. motor(s) - direct drive
- Gray powder coated exterior (Optional: Custom Color or Stainless)
- Split cabinet construction for fan assembly removal
- Top Mounting only
- Front air intake only
- High efficiency Pro-V Nozzle

- Factory mounted duct transition with bottom access panels
- Field installed cETLus & AHRI Certified indirect gas heater(s):
 - Aluminized steel heat exchanger (Optional: Stainless)
 - Steel cabinet with beige finish
 - Spark ignited pilot
 - Power venter
 - Separate 120V power supply required (Optional: transformer for single point connection)

**2 Year
Limited
Warranty**



MODEL	Nozzle Width (in)	Max Vel. at Nozzle (fpm)	Avg. Outlet Vel. (fpm)	Air Volume (cfm)	Outlet Vel. Uniformity	Power Rating (kW)	Motor(s) @ hp	Heater(s) @ Input (MBH)	Total Heater Output (MBH)	Air Temp. Rise (°F)	Net Wt. Air Curtain (lbs)	Net Wt. Duct Trans. (lbs)	Net Wt. Heater (lbs)
IDC20-1060G	60.00	6,580	3,870	6,854	89%	4.70	1 @ 5	1 @ 345.0	276.0	37°	390	79	285
IDC20-1072G	72.00	6,549	3,852	8,186	89%	4.90	1 @ 5	1 @ 345.0	276.0	31°	435	94	285
IDC20-1084G	84.00	6,076	3,574	8,861	87%	4.90	1 @ 5	1 @ 345.0	276.0	29°	480	109	285
IDC20-1096G	96.00	6,900	4,059	11,500	92%	6.80	1 @ 7½	2 @ 230.0	368.0	29°	600	102	2 @ 225
IDC20-1108G	108.00	6,747	3,969	12,650	90%	6.90	1 @ 7½	2 @ 230.0	368.0	27°	680	117	2 @ 225
IDC20-1120G	117.00	7,494	4,523	15,612	88%	8.70	1 @ 10	2 @ 345.0	552.0	33°	750	128	2 @ 285
IDC20-1132G	132.00	7,017	4,127	16,080	87%	8.90	1 @ 10	2 @ 345.0	552.0	32°	795	147	2 @ 285
IDC20-1144G	144.00	7,640	4,381	19,100	87%	11.70	1 @ 15	2 @ 390.0	624.0	30°	835	161	2 @ 285
IDC20-1156G	156.00	7,405	4,356	20,055	86%	11.90	1 @ 15	2 @ 390.0	624.0	29°	940	176	2 @ 285
IDC20-1168G	168.00	7,783	4,323	22,700	90%	12.80	1 @ 15	3 @ 345.0	828.0	34°	1,025	170	3 @ 285
IDC20-1180G	180.00	7,300	4,294	22,814	91%	12.90	1 @ 15	3 @ 345.0	828.0	33°	1,070	185	3 @ 285
IDC20-2192G	192.00	6,900	4,059	23,000	92%	13.60	2 @ 7½	3 @ 345.0	828.0	33°	1,190	199	3 @ 285

NOTES:

1. Operation at 50 Hz will generate approximately a 17% reduction in performance.
2. Performance data based on AMCA licensed data from unheated units.
3. Maximum leaving air temperature shall not exceed 120°F.
4. Duct transition is factory mounted to air curtain and requires individual support.
5. Gas heater(s) shall not be directly connected to transition and require individual support.
6. Maximum gas supply pressure: 1/2 psi, 8 ounces, or 14 inches water column.
7. Vertically mounted indirect gas heated air curtain not available.

See sheet EP-448 for amp draws/total load requirements.

MODEL NUMBER CONFIGURATION

IDC20-1 060 G D-F SS

Series	# of Motors	Opening Width	Heat	Voltage	Intake	Opt. Cabinet Finish
IDC20	1, 2	060" - 192"	G=Indirect Gas Heated	D=208/3/60 E=240/3/60 H=480/3/60 I=600/3/60 T=380/3/50	F=Front	SS=Stainless Steel CC=Custom Color

Sound level measured 10' (3m) from the unit in free field:
3, 5, 7½, (5 + 3) & (5 + 5) hp motor(s):
68 dBA, 70 dBA, 71 dBA, 72 dBA & 73 dBA

Berner reserves the right to alter specifications without prior notice.



INDUSTRIAL DIRECT DRIVE 20

**Positive Indirect Gas Heated Air Curtain
Electrical Performance Sheet**

				208/3/60 (voltage code D)								
				TOTAL MOTOR AMP DRAW								
				MULTIPLE CKT - MOTOR PANEL & HEATER				SINGLE CKT - MOTOR PANEL & XFMR FOR HTR.				
MODEL	HEATER MBH	Temp Rise °F	Qty @ HP	# CKTS	AMPS PER CIRCUIT		BREAKER RATING PER CIRCUIT		# CKTS	XFMR KVA	AMPS PER CIRCUIT (including XFMR)	BREAKER RATING PER CIRCUIT
					MOTOR 208V CKT	HEATER 120V CKT	MOTOR 208V CKT	HEATER 120V CKT				
IDC20-1060G	1 @ 345	34	1 @ 5	2	17.0	9.0	35	15	1	1	21.8	35
IDC20-1072G	1 @ 345	31	1 @ 5	2	17.0	9.0	35	15	1	1	21.8	35
IDC20-1084G	1 @ 345	29	1 @ 5	2	17.0	9.0	35	15	1	1	21.8	35
IDC20-1096G	2 @ 230	29	1 @ 7.5	3	23.0	9.0/9.0	50	15/15	1	2	32.6	50
IDC20-1108G	2 @ 230	27	1 @ 7.5	3	23.0	9.0/9.0	50	15/15	1	2	32.6	50
IDC20-1120G	2 @ 345	33	1 @ 10	3	31.5	9.0/9.0	60	15/15	1	2	41.1	60
IDC20-1132G	2 @ 345	32	1 @ 10	3	31.5	9.0/9.0	60	15/15	1	2	41.1	60
IDC20-1144G	2 @ 390	30	1 @ 15	3	46.0	9.0/9.0	100	15/15	1	2	55.6	100
IDC20-1156G	2 @ 390	29	1 @ 15	3	46.0	9.0/9.0	100	15/15	1	2	55.6	100
IDC20-1168G	3 @ 345	34	1 @ 15	4	46.0	9.0/9.0/9.0	100	15/15/15	1	3	60.4	100
IDC20-1180G	3 @ 345	33	1 @ 15	4	46.0	9.0/9.0/9.0	100	15/15/15	1	3	60.4	100
IDC20-2192G	3 @ 345	33	2 @ 7.5	4	46.0	9.0/9.0/9.0	70	15/15/15	1	3	60.4	70

Berner reserves the right to alter specifications without prior notice.



INDUSTRIAL DIRECT DRIVE 20

**Positive Indirect Gas Heated Air Curtain
Electrical Performance Sheet**

240/3/60 (voltage code E)													
TOTAL MOTOR AMP DRAW													
MODEL	HEATER MBH	Temp Rise °F	Qty @ HP	# CKTS	MULTIPLE CKT - MOTOR PANEL & HEATER				SINGLE CKT - MOTOR PANEL & XFMR FOR HTR.				
					AMPS PER CIRCUIT		BREAKER RATING PER CIRCUIT		# CKTS	XFMR KVA	AMPS PER CIRCUIT (including XFMR)	BREAKER RATING PER CIRCUIT	
					MOTOR 240V CKT	HEATER 120V CKT	MOTOR 240V CKT	HEATER 120V CKT					
IDC20-1060G	1 @ 345	34	1 @ 5	2	15.8	9.0	35	15	1	1	20.0	35	
IDC20-1072G	1 @ 345	31	1 @ 5	2	15.8	9.0	35	15	1	1	20.0	35	
IDC20-1084G	1 @ 345	29	1 @ 5	2	15.8	9.0	35	15	1	1	20.0	35	
IDC20-1096G	2 @ 230	29	1 @ 7.5	3	22.0	9.0/9.0	45	15/15	1	2	30.3	45	
IDC20-1108G	2 @ 230	27	1 @ 7.5	3	22.0	9.0/9.0	45	15/15	1	2	30.3	45	
IDC20-1120G	2 @ 345	33	1 @ 10	3	30.6	9.0/9.0	60	15/15	1	2	38.9	60	
IDC20-1132G	2 @ 345	32	1 @ 10	3	30.6	9.0/9.0	60	15/15	1	2	38.9	60	
IDC20-1144G	2 @ 390	30	1 @ 15	3	44.0	9.0/9.0	100	15/15	1	2	52.3	100	
IDC20-1156G	2 @ 390	29	1 @ 15	3	44.0	9.0/9.0	100	15/15	1	2	52.3	100	
IDC20-1168G	3 @ 345	34	1 @ 15	4	44.0	9.0/9.0/9.0	100	15/15/15	1	3	56.5	100	
IDC20-1180G	3 @ 345	33	1 @ 15	4	44.0	9.0/9.0/9.0	100	15/15/15	1	3	56.5	100	
IDC20-2192G	3 @ 345	33	2 @ 7.5	4	44.0	9.0/9.0/9.0	70	15/15/15	1	3	56.5	70	



INDUSTRIAL DIRECT DRIVE 20

**Positive Indirect Gas Heated Air Curtain
Electrical Performance Sheet**

480/3/60 (voltage code H)												
TOTAL MOTOR AMP DRAW												
MODEL	HEATER MBH	Temp Rise °F	Qty @ HP	# CKTS	MULTIPLE CKT - MOTOR PANEL & HEATER				SINGLE CKT - MOTOR PANEL & XFMR FOR HTR.			
					AMPS PER CIRCUIT		BREAKER RATING PER CIRCUIT		# CKTS	XFMR KVA	AMPS PER CIRCUIT (including XFMR)	BREAKER RATING PER CIRCUIT
					MOTOR 480V CKT	HEATER 120V CKT	MOTOR 480V CKT	HEATER 120V CKT				
IDC20-1060G	1 @ 345	34	1 @ 5	2	7.9	9.0	20	15	1	1	10.0	20
IDC20-1072G	1 @ 345	31	1 @ 5	2	7.9	9.0	20	15	1	1	10.0	20
IDC20-1084G	1 @ 345	29	1 @ 5	2	7.9	9.0	20	15	1	1	10.0	20
IDC20-1096G	2 @ 230	29	1 @ 7.5	3	11.0	9.0/9.0	25	15/15	1	2	15.2	25
IDC20-1108G	2 @ 230	27	1 @ 7.5	3	11.0	9.0/9.0	25	15/15	1	2	15.2	25
IDC20-1120G	2 @ 345	33	1 @ 10	3	15.3	9.0/9.0	30	15/15	1	2	19.5	30
IDC20-1132G	2 @ 345	32	1 @ 10	3	15.3	9.0/9.0	30	15/15	1	2	19.5	30
IDC20-1144G	2 @ 390	30	1 @ 15	3	22.0	9.0/9.0	45	15/15	1	2	26.2	45
IDC20-1156G	2 @ 390	29	1 @ 15	3	22.0	9.0/9.0	45	15/15	1	2	26.2	45
IDC20-1168G	3 @ 345	34	1 @ 15	4	22.0	9.0/9.0/9.0	45	15/15/15	1	3	28.3	45
IDC20-1180G	3 @ 345	33	1 @ 15	4	22.0	9.0/9.0/9.0	45	15/15/15	1	3	28.3	45
IDC20-2192G	3 @ 345	33	2 @ 7.5	4	22.0	9.0/9.0/9.0	35	15/15/15	1	3	28.3	35



INDUSTRIAL DIRECT DRIVE 20

Positive Indirect Gas Heated Air Curtain
Electrical Performance Sheet

600/3/60 (voltage code I)												
TOTAL MOTOR AMP DRAW												
MODEL	HEATER MBH	Temp Rise °F	Qty @ HP	# CKTS	MULTIPLE CKT - MOTOR PANEL & HEATER				SINGLE CKT - MOTOR PANEL & XFMR FOR HTR.			
					AMPS PER CIRCUIT		BREAKER RATING PER CIRCUIT		# CKTS	XFMR KVA	AMPS PER CIRCUIT (including XFMR)	BREAKER RATING PER CIRCUIT
					MOTOR 600V CKT	HEATER 120V CKT	MOTOR 600V CKT	HEATER 120V CKT				
IDC20-1060G	1 @ 345	34	1 @ 5	2	6.3	9.0	15	15	1	1	8.0	15
IDC20-1072G	1 @ 345	31	1 @ 5	2	6.3	9.0	15	15	1	1	8.0	15
IDC20-1084G	1 @ 345	29	1 @ 5	2	6.3	9.0	15	15	1	1	8.0	15
IDC20-1096G	2 @ 230	29	1 @ 7.5	3	8.5	9.0/9.0	20	15/15	1	2	11.8	20
IDC20-1108G	2 @ 230	27	1 @ 7.5	3	8.5	9.0/9.0	20	15/15	1	2	11.8	20
IDC20-1120G	2 @ 345	33	1 @ 10	3	11.7	9.0/9.0	25	15/15	1	2	15.0	25
IDC20-1132G	2 @ 345	32	1 @ 10	3	11.7	9.0/9.0	25	15/15	1	2	15.0	25
IDC20-1144G	2 @ 390	30	1 @ 15	3	17.5	9.0/9.0	35	15/15	1	2	20.8	35
IDC20-1156G	2 @ 390	29	1 @ 15	3	17.5	9.0/9.0	35	15/15	1	2	20.8	35
IDC20-1168G	3 @ 345	34	1 @ 15	4	17.5	9.0/9.0/9.0	35	15/15/15	1	3	22.5	35
IDC20-1180G	3 @ 345	33	1 @ 15	4	17.5	9.0/9.0/9.0	35	15/15/15	1	3	22.5	35
IDC20-2192G	3 @ 345	33	2 @ 7.5	4	17.0	9.0/9.0/9.0	30	15/15/15	1	3	22.0	30



INDUSTRIAL DIRECT DRIVE 20

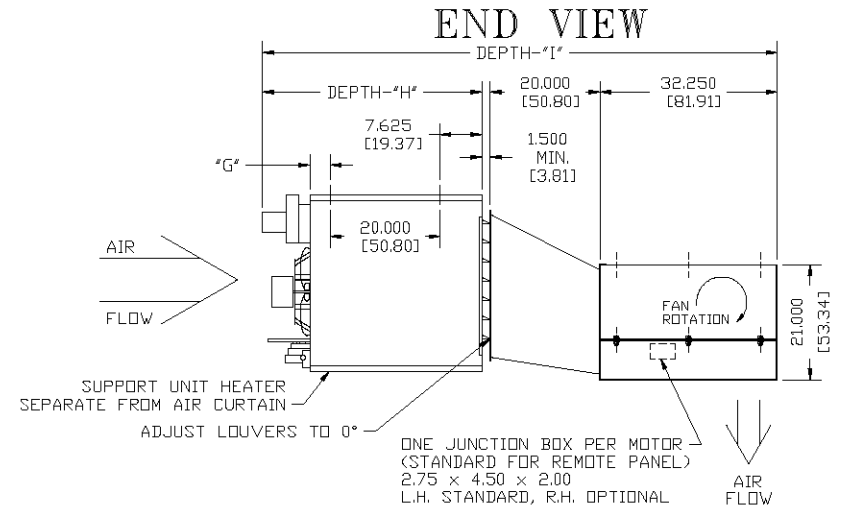
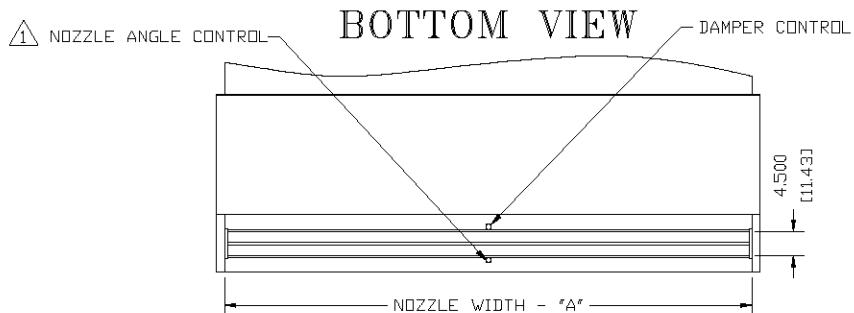
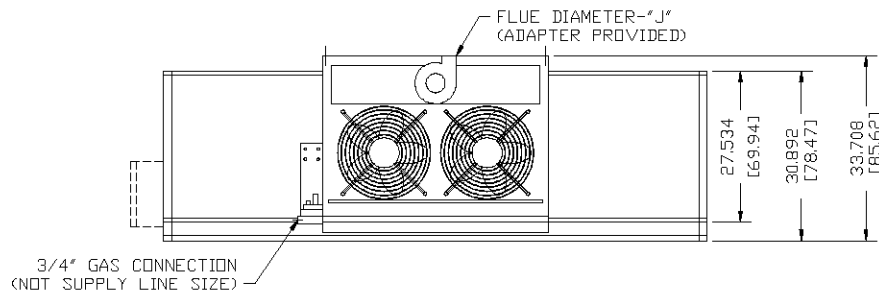
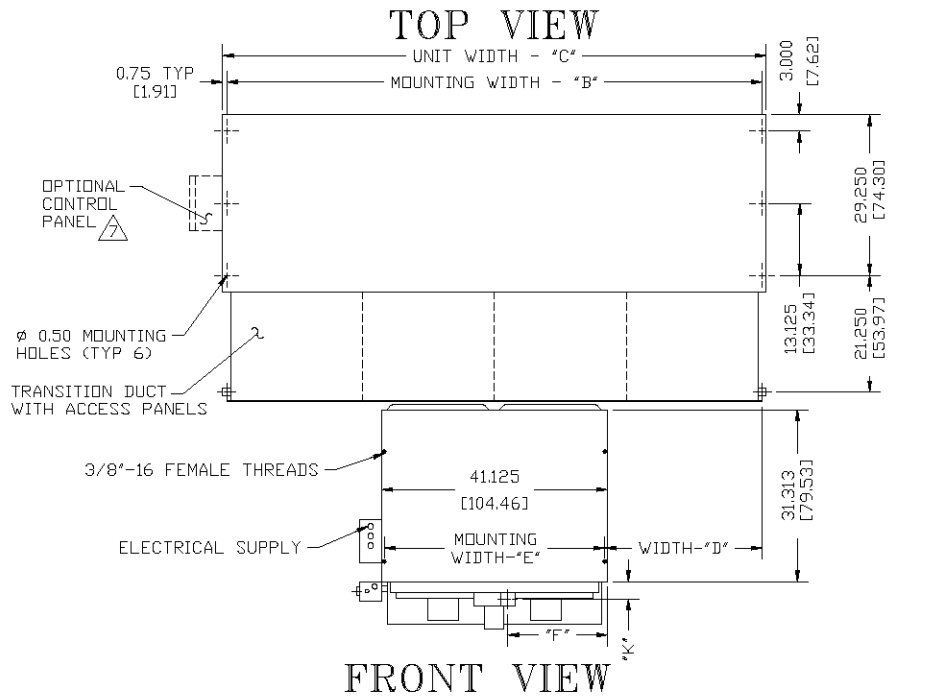
Positive Indirect Gas Heated Air Curtain
Electrical Performance Sheet

380/3/50 (voltage code T)												
TOTAL MOTOR AMP DRAW												
				MULTIPLE CKT - MOTOR PANEL & HEATER				SINGLE CKT - MOTOR PANEL & XFMR FOR HTR.				
MODEL	HEATER MBH	Temp Rise °F	Qty @ HP	# CKTS	AMPS PER CIRCUIT		BREAKER RATING PER CIRCUIT		# CKTS	XFMR KVA	AMPS PER CIRCUIT (including XFMR)	BREAKER RATING PER CIRCUIT
					MOTOR 380V CKT	HEATER 120V CKT	MOTOR 380V CKT	HEATER 120V CKT				
IDC20-1060G	1 @ 345	34	1 @ 5	2	7.7	9.0	20	15	1	1	10.3	20
IDC20-1072G	1 @ 345	31	1 @ 5	2	7.7	9.0	20	15	1	1	10.3	20
IDC20-1084G	1 @ 345	29	1 @ 5	2	7.7	9.0	20	15	1	1	10.3	20
IDC20-1096G	2 @ 230	29	1 @ 7.5	3	9.0	9.0/9.0	20	15/15	1	2	14.3	20
IDC20-1108G	2 @ 230	27	1 @ 7.5	3	9.0	9.0/9.0	20	15/15	1	2	14.3	20
IDC20-1120G	2 @ 345	33	1 @ 10	3	12.5	9.0/9.0	25	15/15	1	2	17.8	25
IDC20-1132G	2 @ 345	32	1 @ 10	3	12.5	9.0/9.0	25	15/15	1	2	17.8	25
IDC20-1144G	2 @ 390	30	1 @ 15	3	18.0	9.0/9.0	40	15/15	1	2	23.3	40
IDC20-1156G	2 @ 390	29	1 @ 15	3	18.0	9.0/9.0	40	15/15	1	2	23.3	40
IDC20-1168G	3 @ 345	34	1 @ 15	4	18.0	9.0/9.0/9.0	40	15/15/15	1	3	25.9	40
IDC20-1180G	3 @ 345	33	1 @ 15	4	18.0	9.0/9.0/9.0	40	15/15/15	1	3	25.9	40
IDC20-2192G	3 @ 345	33	2 @ 7.5	4	18.0	9.0/9.0/9.0	40	15/15/15	1	3	25.9	40

IDC20 INDIRECT GAS HEATED ONE HEATER SYSTEM FRONT INTAKE

NOTES:

- 1 AIR CURTAIN MUST BE INSTALLED SO AIR STREAM IS NOT OBSTRUCTED WHEN DEFLECTED 20° TO EITHER SIDE OF ϕ .
- 2 ELECTRICAL CONNECTIONS TO BE FLEXIBLE.
- 3 FIELD VERIFY DIMENSIONS.
- 4 ANCHORS TO SUPPORTING STRUCTURE BY OTHERS.
- 5 ADEQUACY OF SUPPORTING STRUCTURE IS TO BE VERIFIED BY A PROFESSIONAL STRUCTURAL ENGINEER.
- 6 LETTER "G" IN MODEL NUMBER DESIGNATES POSITIVE INDIRECT GAS HEATED UNIT. THE "F" DESIGNATES FRONT INTAKE.
- 7 OPTIONAL CONTROL PANEL AVAILABLE: LEFT HAND MOUNT, RIGHT HAND MOUNT, OR REMOTE. PLEASE SPECIFY.
- 8 SUPPLY PRESSURES HIGHER THAN 0.50 POUND REQUIRE INSTALLATION OF AN ADDITIONAL SERVICE REGULATOR EXTERNAL TO THE UNIT.
- 9 DIMENSIONS IN INCHES (CENTIMETERS).



CAUTION:

HEATER IS EQUIPPED FOR A MAXIMUM GAS SUPPLY PRESSURE OF 1/2 POUND, 8 OUNCES, OR 14 INCHES WATER COLUMN.

MODEL	TOTAL NO. HEATER(S) @ MBTU INPUT
IDC20-1060G-F	1 @ 345
IDC20-1072G-F	1 @ 345
IDC20-1084G-F	1 @ 345

PROJECT		
LOCATION		
ARCHITECT		
ENGINEER		
DWG. NO.	IDC20-IGF1	TITLE: BERNER
DATE	09JUNE14	MODEL IDC20 AIR CURTAIN
BY	S. Beil	INDIRECT GAS FIRED - ONE HEATER SYSTEM
REPLACES	-	
BY	-	BERNER INTERNATIONAL CORP. NEW CASTLE, PA.

FOR DIMENSIONS SEE DWG. #IDC20-IGF4

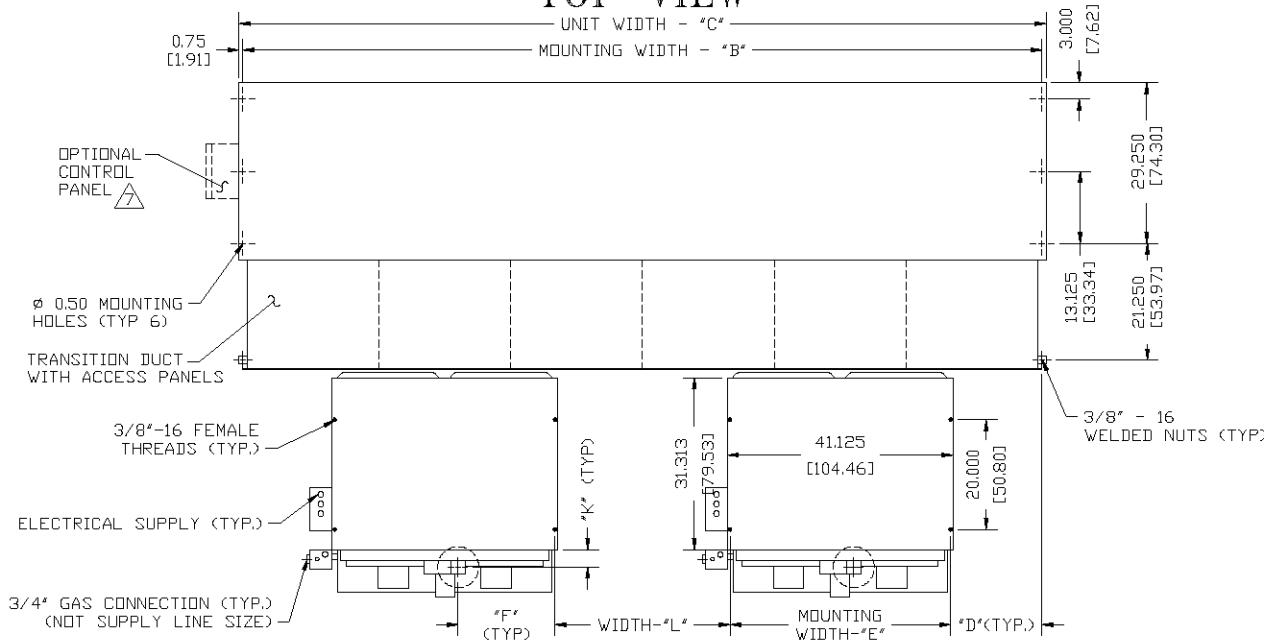
IDC20

INDIRECT GAS HEATED TWO HEATER SYSTEM FRONT INTAKE

NOTES:

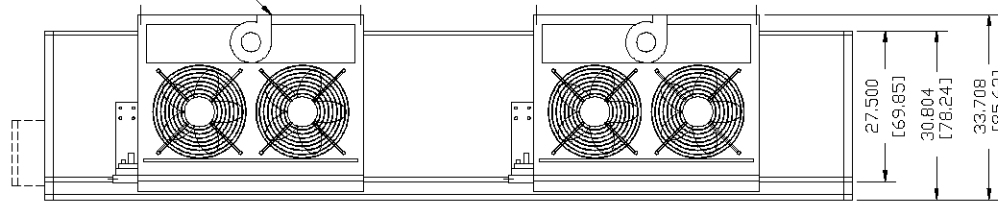
- ① AIR CURTAIN MUST BE INSTALLED SO AIR STREAM IS NOT OBSTRUCTED WHEN DEFLECTED 20° TO EITHER SIDE OF C_c .
- ② ELECTRICAL CONNECTIONS TO BE FLEXIBLE.
- ③ FIELD VERIFY DIMENSIONS.
- ④ ANCHORS TO SUPPORTING STRUCTURE BY OTHERS.
- ⑤ ADEQUACY OF SUPPORTING STRUCTURE IS TO BE VERIFIED BY A PROFESSIONAL STRUCTURAL ENGINEER.
- ⑥ LETTER 'G' IN MODEL NUMBER DESIGNATES, POSITIVE INDIRECT GAS HEATED UNIT. THE 'F' DESIGNATES FRONT INTAKE.
- ⑦ OPTIONAL CONTROL PANEL AVAILABLE: LEFT HAND MOUNT, RIGHT HAND MOUNT, OR REMOTE. PLEASE SPECIFY.
- ⑧ SUPPLY PRESSURES HIGHER THAN 0.50 POUND REQUIRE INSTALLATION OF AN ADDITIONAL SERVICE REGULATOR EXTERNAL TO THE UNIT.
- ⑨ DIMENSIONS IN INCHES (CENTIMETERS).

TOP VIEW

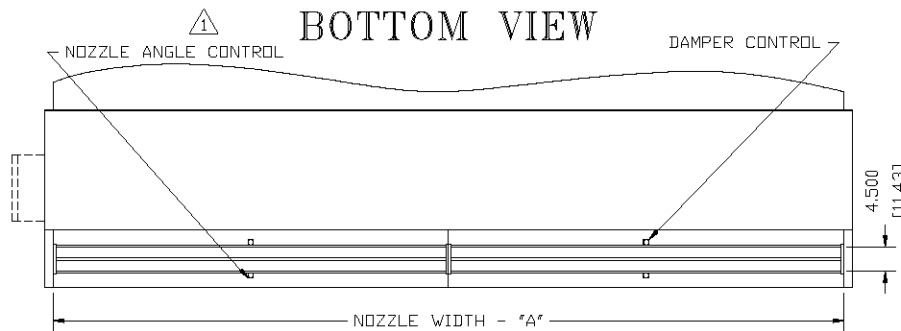


FRONT VIEW

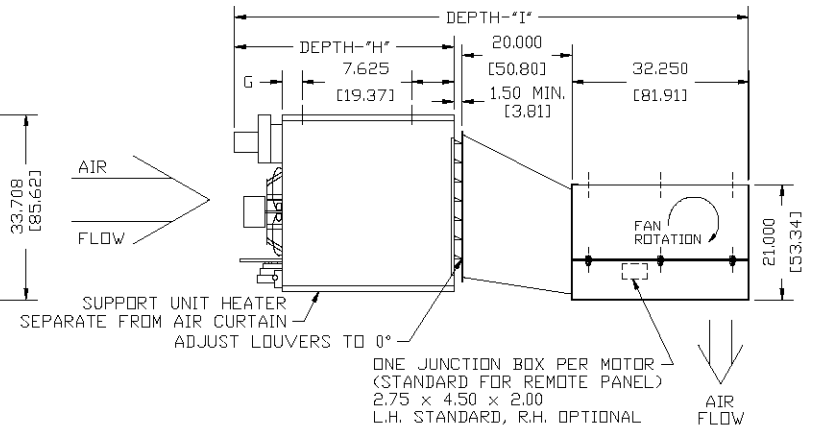
FLUE DIAMETER - 'J' (TYP.)
(CIRCULAR ADAPTER PROVIDED)



BOTTOM VIEW



END VIEW



CAUTION:

HEATER IS EQUIPPED FOR A MAXIMUM GAS SUPPLY PRESSURE OF 1/2 POUND, 8 OUNCES, OR 14 INCHES WATER COLUMN.

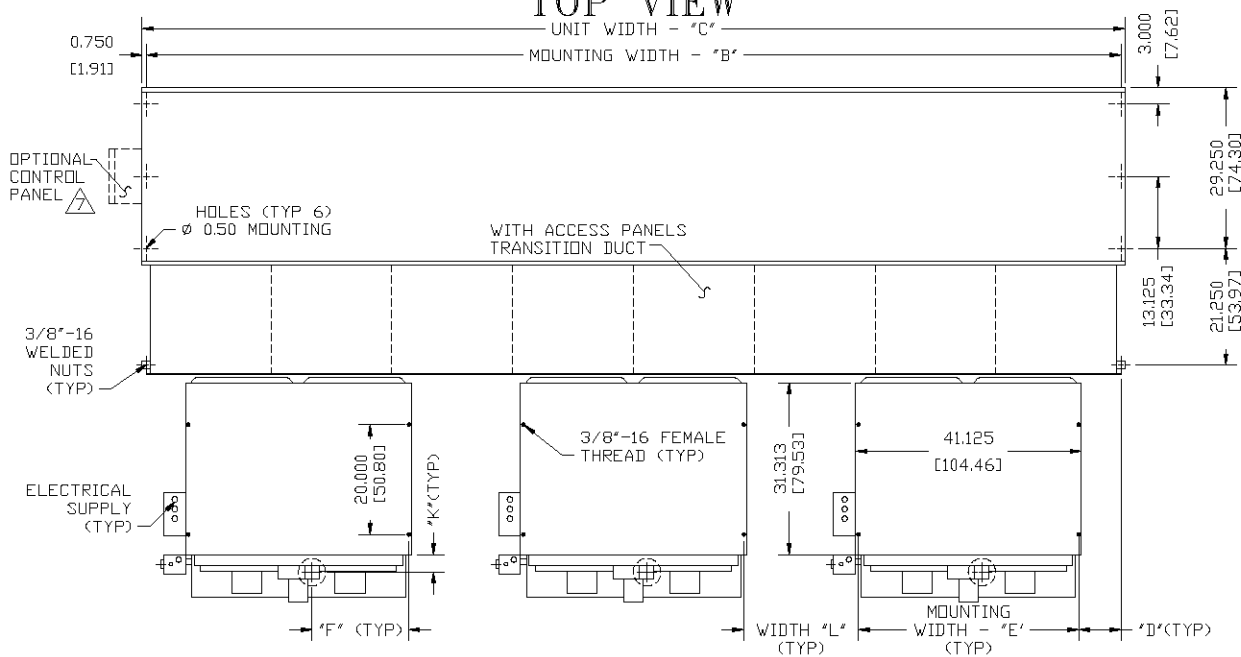
MODEL	TOTAL NO. HEATER(S) @ MBTU INPUT
IDC20-1096G-F	2 @ 230
IDC20-1108G-F	2 @ 230
IDC20-1120G-F	2 @ 345
IDC20-1132G-F	2 @ 345
IDC20-1144G-F	2 @ 390
IDC20-1156G-F	2 @ 390

PROJECT		TITLE: BERNER
LOCATION		MODEL IDC20 AIR CURTAIN
ARCHITECT		INDIRECT GAS FIRED - TWO HEATER SYSTEM
ENGINEER		
DWG. NO.	IDC20-IGF2	
DATE	09JUNE14	
BY	S. Beil	
REPLACES	-	
BY	-	BERNER INTERNATIONAL CORP. NEW CASTLE, PA.

FOR DIMENSIONS SEE DWG. #IDC20-IGF4

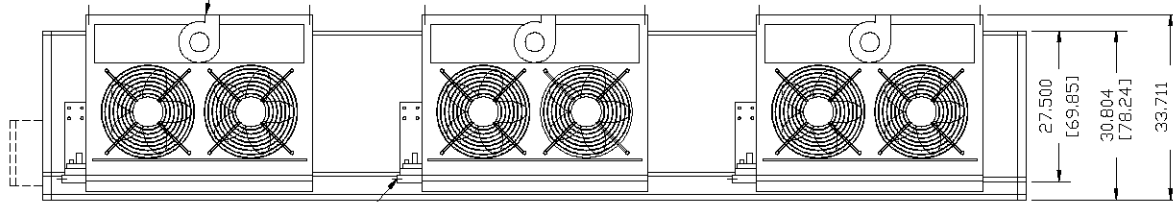
IDC20 INDIRECT GAS HEATED THREE HEATER SYSTEM FRONT INTAKE

TOP VIEW

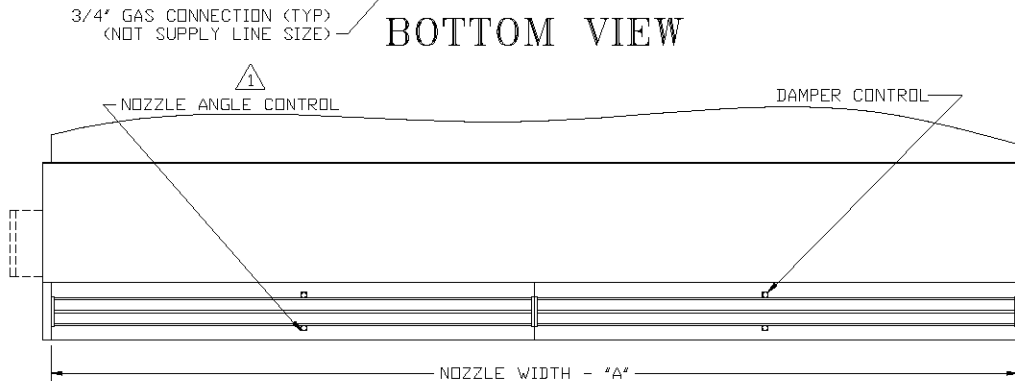


FLUE DIAMETER - "J" (TYP)
(CIRCULAR ADAPTER PROVIDED)

FRONT VIEW



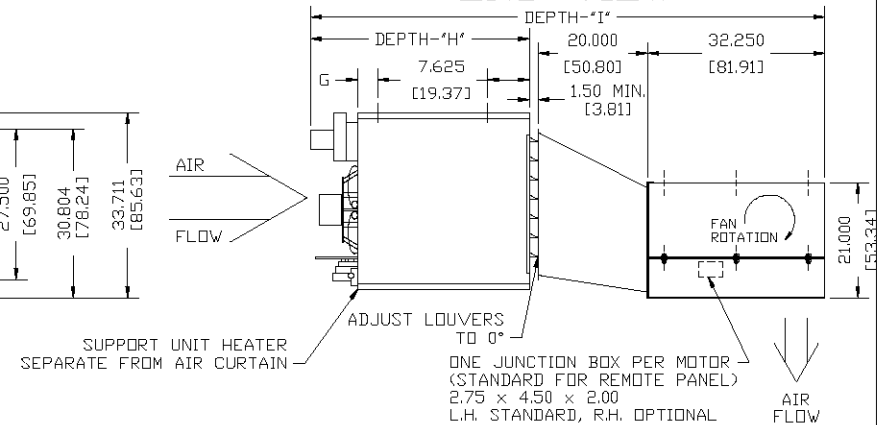
BOTTOM VIEW



NOTES:

- 1 AIR CURTAIN MUST BE INSTALLED SO AIR STREAM IS NOT OBSTRUCTED WHEN DEFLECTED 20° TO EITHER SIDE OF \bar{C} .
- 2 ELECTRICAL CONNECTIONS TO BE FLEXIBLE.
- 3 FIELD VERIFY DIMENSIONS.
- 4 ANCHORS TO SUPPORTING STRUCTURE BY OTHERS.
- 5 ADEQUACY OF SUPPORTING STRUCTURE IS TO BE VERIFIED BY A PROFESSIONAL STRUCTURAL ENGINEER.
- 6 LETTER "G" IN MODEL NUMBER DESIGNATES POSITIVE INDIRECT GAS HEATED UNIT. THE "F" DESIGNATES FRONT INTAKE.
- 7 OPTIONAL CONTROL PANEL AVAILABLE: LEFT HAND MOUNT, RIGHT HAND MOUNT, OR REMOTE. PLEASE SPECIFY.
- 8 SUPPLY PRESSURES HIGHER THAN 0.50 POUND REQUIRE INSTALLATION OF AN ADDITIONAL SERVICE REGULATOR EXTERNAL TO THE UNIT.
- 9 DIMENSIONS IN INCHES (CENTIMETERS).

END VIEW



CAUTION:

HEATER IS FOR A MAXIMUM GAS SUPPLY PRESSURE OF 1/2 POUND, 8 OUNCES, OR 14 INCHES WATER COLUMN.

MODEL	TOTAL NO. HEATER(S) @ MBTU INPUT
IDC20-1168G-F	3 @ 345
IDC20-1180G-F	3 @ 345
IDC20-2192G-F	3 @ 345

PROJECT		TITLE: BERNER
LOCATION		MODEL IDC20 AIR CURTAIN
ARCHITECT		INDIRECT GAS FIRED - THREE HEATER SYSTEM
ENGINEER		BERNER INTERNATIONAL CORP. NEW CASTLE, PA.
DWG. NO.	IDC20-IGF3	
DATE	09JUNE14	
BY	S. Beil	
REPLACES	-	
BY	-	

FOR DIMENSIONS SEE DWG. #IDC20-IGF4

IDC20

INDIRECT GAS HEATED

MODEL	NOZZLE WIDTH "A"	MOUNTING WIDTH "B"	UNIT WIDTH "C"	TOTAL NO. HEATER(S) @ MBTU INPUT	WIDTH "D"	WIDTH "E"	WIDTH "F"	DEPTH "G"	DEPTH "H"	DEPTH "I"	FLUE "J"	DEPTH "K"	WIDTH "L"
IDC20-1060G-F	60.00 [152.40]	61.50 [156.21]	63.00 [160.02]	1 @ 345	10.75 [27.31]	40.00 [101.60]	16.94 [43.02]	3.69 [9.37]	41.13 [104.46]	94.88 [240.98]	6.00 [15.24]	3.50 [8.89]	-
IDC20-1072G-F	72.00 [182.88]	73.50 [186.69]	75.00 [190.50]	1 @ 345	16.75 [42.55]	40.00 [101.60]	16.94 [43.02]	3.69 [9.37]	41.13 [104.46]	94.88 [240.98]	6.00 [15.24]	3.50 [8.89]	-
IDC20-1084G-F	84.00 [213.36]	85.50 [217.17]	87.00 [220.98]	1 @ 345	22.75 [57.79]	40.00 [101.60]	16.94 [43.02]	3.69 [9.37]	41.13 [104.46]	94.88 [240.98]	6.00 [15.24]	3.50 [8.89]	-
IDC20-1096G-F	96.00 [243.84]	97.50 [247.65]	99.00 [251.46]	2 @ 230	4.75 [12.07]	40.00 [101.60]	17.19 [43.66]	3.69 [9.37]	40.00 [101.60]	93.75 [238.13]	5.00 [12.70]	3.50 [8.89]	8.00 [20.32]
IDC20-1108G-F	108.00 [274.32]	109.50 [278.13]	111.00 [281.94]	2 @ 230	7.75 [19.69]	40.00 [101.60]	17.19 [43.66]	3.69 [9.37]	40.00 [101.60]	93.75 [238.13]	5.00 [12.70]	3.50 [8.89]	14.00 [35.56]
IDC20-1120G-F	117.00 [297.18]	118.50 [300.99]	120.00 [304.80]	2 @ 345	10.00 [25.40]	40.00 [101.60]	16.94 [43.02]	3.69 [9.37]	41.13 [104.46]	94.88 [240.98]	6.00 [15.24]	3.50 [8.89]	18.50 [46.99]
IDC20-1132G-F	132.00 [335.28]	133.50 [339.09]	135.00 [342.90]	2 @ 345	13.75 [34.93]	40.00 [101.60]	16.94 [43.02]	3.69 [9.37]	41.13 [104.46]	94.88 [240.98]	6.00 [15.24]	3.50 [8.89]	26.00 [66.04]
IDC20-1144G-F	144.00 [365.76]	145.50 [369.57]	147.00 [373.38]	2 @ 390	16.75 [42.55]	40.00 [101.60]	16.94 [43.02]	3.69 [9.37]	41.13 [104.46]	94.88 [240.98]	6.00 [15.24]	3.50 [8.89]	32.00 [81.28]
IDC20-1156G-F	156.00 [396.24]	157.50 [400.05]	159.00 [403.86]	2 @ 390	19.75 [50.17]	40.00 [101.60]	16.94 [43.02]	3.69 [9.37]	41.13 [104.46]	94.88 [240.98]	6.00 [15.24]	3.50 [8.89]	38.00 [96.52]
IDC20-1168G-F	168.00 [426.72]	169.50 [430.53]	171.00 [434.34]	3 @ 345	8.75 [22.23]	40.00 [101.60]	16.94 [43.02]	3.69 [9.37]	41.13 [104.46]	94.88 [240.98]	6.00 [15.24]	3.50 [8.89]	16.00 [40.64]
IDC20-1180G-F	180.00 [457.20]	181.50 [461.01]	183.00 [464.82]	3 @ 345	10.75 [27.31]	40.00 [101.60]	16.94 [43.02]	3.69 [9.37]	41.13 [104.46]	94.88 [240.98]	6.00 [15.24]	3.50 [8.89]	20.00 [50.80]
IDC20-2192G-F	192.00 [487.68]	193.50 [491.49]	195.00 [495.30]	3 @ 345	12.75 [32.39]	40.00 [101.60]	16.94 [43.02]	3.69 [9.37]	41.13 [104.46]	94.88 [240.98]	6.00 [15.24]	3.50 [8.89]	24.00 [60.96]

NOTES:

- ① AIR CURTAIN MUST BE INSTALLED SO AIR STREAM IS NOT OBSTRUCTED WHEN DEFLECTED 20° TO EITHER SIDE OF G.
- ② ELECTRICAL CONNECTIONS TO BE FLEXIBLE.
- ③ FIELD VERIFY DIMENSIONS.
- ④ ANCHORS TO SUPPORTING STRUCTURE BY OTHERS.
- ⑤ ADEQUACY OF SUPPORTING STRUCTURE IS TO BE VERIFIED BY A PROFESSIONAL STRUCTURAL ENGINEER.
- ⑥ LETTER "G" IN MODEL NUMBER DESIGNATES POSITIVE INDIRECT GAS HEATER UNIT. THE "F" DESIGNATES FRONT INTAKE.
- ⑦ OPTIONAL CONTROL PANEL AVAILABLE: LEFT HAND MOUNT, RIGHT HAND MOUNT, OR REMOTE. PLEASE SPECIFY.
- ⑧ SEP 230-400 FURNACES HAVE TWO FANS AND FOUR MOUNTING POINTS.
- ⑨ SUPPLY PRESSURES HIGHER THAN 0.50 POUND REQUIRE INSTALLATION OF AN ADDITIONAL SERVICE REGULATOR EXTERNAL TO THE UNIT.
- ⑩ DIMENSIONS IN INCHES [CENTIMETERS].

PROJECT		
LOCATION		
ARCHITECT		
ENGINEER		
DWG. NO.	IDC20-IGF 4	TITLE: BERNER
DATE	09JUNE14	MODEL IDC20 AIR CURTAIN
BY	S. Beil	INDIRECT GAS FIRED HEATER SYSTEM
REPLACES	-	
BY	-	BERNER INTERNATIONAL CORP. NEW CASTLE, PA.