



INDUSTRIAL DIRECT DRIVE 16

Direct Gas Heated Air Curtain

Data Sheet

For Door Heights To 16' (environmental separation)

STANDARD CONSTRUCTION

- Single speed T.E.A.O. motor(s) - direct drive
- Gray powder coated exterior (Optional: Custom Color or Stainless)
- Split cabinet construction for fan assembly removal
- Top Mounting only
- Front air intake (Optional: top)
- High efficiency Pro-V Nozzle
- Factory mounted duct transition with bottom access panels
- Factory mounted modulating direct fired heater with FM/IRI gas train
 - Factory mounted wired heater control panel
 - Steel cabinet with gray finish
 - Spark ignited intermittent pilot

**2 Year
Limited
Warranty**



MODEL	Nozzle Width (in)	Max Vel. at Nozzle (fpm)	Avg. Outlet Vel. (fpm)	Air Volume (cfm)	Outlet Vel. Uniformity	Power Rating (kW)	Motor(s) @ hp	Heater Output (MBH)	Gas Train Size	Air Temp. Rise (°F)	Net Wt. Air Curtain (lbs)	Net Wt. Duct Trans. (lbs)	Net Wt. Burner Box (lbs)
IDC16-1060D	60.00	5,145	3,302	5,359	85%	2.80	1 @ 3	232.7	3/4"	40°	370	82	220
IDC16-1072D	72.00	5,005	2,944	6,256	91%	2.90	1 @ 3	272.2	3/4"	40°	410	97	220
IDC16-1084D	84.00	4,644	2,732	6,772	89%	3.00	1 @ 3	293.9	3/4"	40°	450	112	220
IDC16-1096D	96.00	5,352	3,148	8,920	87%	4.10	1 @ 5	387.6	3/4"	40°	550	121	260
IDC16-1108D	108.00	5,236	3,080	9,817	86%	4.20	1 @ 5	426.0	3/4"	40°	670	136	260
IDC16-1120D	117.00	6,012	3,627	12,526	87%	4.80	1 @ 7.5	544.4	3/4"	40°	705	136	340
IDC16-1132D	132.00	5,602	3,296	12,839	86%	4.90	1 @ 7.5	557.2	3/4"	40°	755	154	340
IDC16-1144D	144.00	5,225	3,074	13,062	85%	5.40	1 @ 7.5	567.1	3/4"	40°	795	169	340
IDC16-1156D	156.00	4,943	2,908	13,388	84%	5.50	1 @ 7.5	581.9	3/4"	40°	845	178	380
IDC16-2168D	168.00	5,203	3,061	15,176	89%	7.00	1 @ 5, 1 @ 3	658.8	3/4"	40°	950	193	380
IDC16-2180D	180.00	5,143	3,026	16,073	87%	7.10	1 @ 5, 1 @ 3	698.2	3/4"	40°	1,015	202	420
IDC16-2192D	192.00	5,352	3,148	17,840	87%	8.20	2 @ 5	774.2	3/4"	40°	1,080	217	420

NOTES:

1. Operation at 50 Hz will generate approximately a 17% reduction in performance.
2. Performance data based on AMCA licensed data from unheated units.
3. Maximum leaving air temperature shall not exceed 120°F.
4. Duct transition and direct fired gas heater are factory mounted to air curtain and each require individual support.
5. Gas supply pressure: minimum 1 psi, maximum 5 psi.
6. Vertically mounted direct gas heated air curtain not available.
7. Gas train size is not the main gas supply line size.

See sheet EP-429 for amp draws/total load requirements.

MODEL NUMBER CONFIGURATION

IDC16-1 060 D D-F-SS

Series	# of Motors	Opening Width	Heat	Voltage	Intake	Opt. Cabinet Finish
IDC16	1, 2	060" - 192"	D=Direct Gas Heated	D=208/3/60 E=240/3/60 H=480/3/60 I=600/3/60 T=380/3/50	T=Top F=Front	SS=Stainless Steel CC=Custom Color

Sound level measured 10' (3m) from the unit in free field:
3, 5, 7½, (5 + 3) & (5 + 5) hp motor(s):
68 dBA, 70 dBA, 71 dBA, 72 dBA & 73 dBA

Berner reserves the right to alter specifications without prior notice.

www.berner.com Berner International 800.245.4455
111 Progress Ave. / New Castle / PA / 16101 / USA

DS-429
July, 2015



INDUSTRIAL DIRECT DRIVE 16

Direct Gas Heated Air Curtain

Electrical Performance Sheet

MODEL	Qty @ HP	208/3/60 (voltage code D) TOTAL MOTOR AMP DRAW			240/3/60 (voltage code E) TOTAL MOTOR AMP DRAW			480/3/60 (voltage code H) TOTAL MOTOR AMP DRAW		
		# CKTS	AMPS PER CIRCUIT	BREAKER RATING PER CIRCUIT	# CKTS	AMPS PER CIRCUIT	BREAKER RATING PER CIRCUIT	# CKTS	AMPS PER CIRCUIT	BREAKER RATING PER CIRCUIT
IDC16-1060D IDC16-1072D IDC16-1084D	1 @ 3	1	16.7	25	1	15.3	25	1	7.7	15
IDC16-1096D IDC16-1108D	1 @ 5	1	20.6	35	1	18.9	35	1	9.5	20
IDC16-1120D IDC16-1132D IDC16-1144D IDC16-1156D	1 @ 7.5	1	26.6	50	1	25.1	45	1	12.6	25
IDC16-2168D IDC16-2180D	1 @ 3 1 @ 5	1	33.7	50	1	31.1	60	1	15.6	25
IDC16-2192D	2 @ 5	1	37.6	60	1	34.7	60	1	17.4	25

MODEL	Qty @ HP	600/3/60 (voltage code I) TOTAL MOTOR AMP DRAW			380/3/50 (voltage code T) TOTAL MOTOR AMP DRAW		
		# CKTS	AMPS PER CIRCUIT	BREAKER RATING PER CIRCUIT	# CKTS	AMPS PER CIRCUIT	BREAKER RATING PER CIRCUIT
IDC16-1060D IDC16-1072D IDC16-1084D	1 @ 3	1	5.2	15	1	7.9	15
IDC16-1096D IDC16-1108D	1 @ 5	1	7.6	15	1	9.7	20
IDC16-1120D IDC16-1132D IDC16-1144D IDC16-1156D	1 @ 7.5	1	9.8	20	1	11.0	20
IDC16-2168D IDC16-2180D	1 @ 3 1 @ 5	1	13.7	20	1	15.6	20
IDC16-2192D	2 @ 5	1	13.9	20	1	17.4	25

* Includes 750VA transformer load for gas fired burner panel.

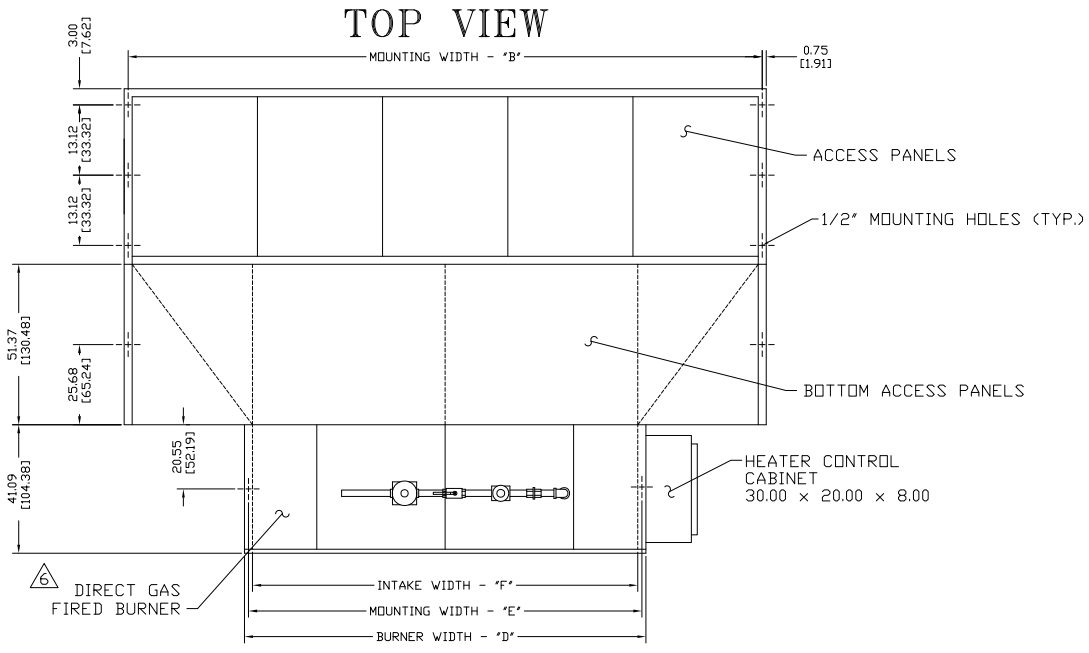
Berner reserves the right to alter specifications without prior notice.

www.berner.com Berner International 800.245-4455
111 Progress Ave. / New Castle / PA / 16101 / USA

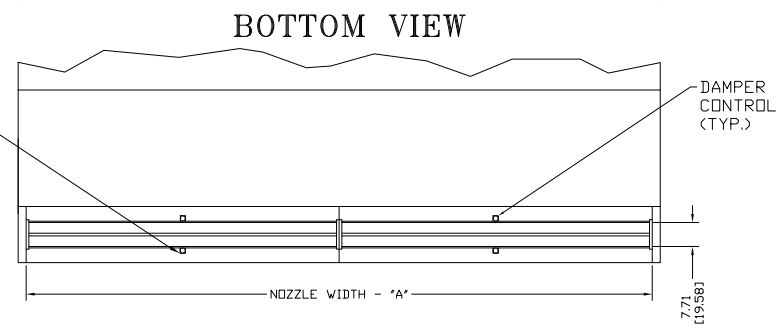
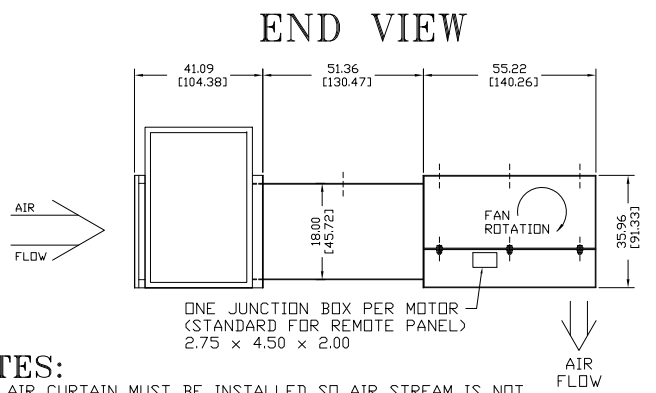
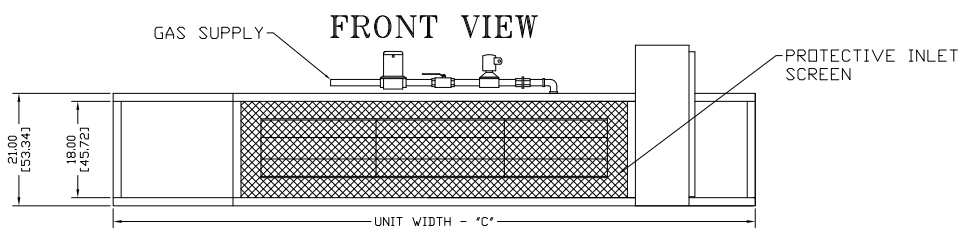
EP-429
December, 2018

IDC 16

DIRECT GAS FIRED ONE HEATER SYSTEM FRONT INTAKE



CAUTION:
HEATER IS EQUIPPED FOR A MAXIMUM GAS SUPPLY PRESSURE OF 1# TO 5#.



- NOTES:**
- 1 AIR CURTAIN MUST BE INSTALLED SO AIR STREAM IS NOT OBSTRUCTED WHEN DEFLECTED 20° TO EITHER SIDE OF C.
 - 2 ELECTRICAL CONNECTIONS TO BE FLEXIBLE.
 - 3 FIELD VERIFY DIMENSIONS.
 - 4 ANCHORS TO SUPPORTING STRUCTURE BY OTHERS.
 - 5 ADEQUACY OF SUPPORTING STRUCTURE IS TO BE VERIFIED BY A PROFESSIONAL STRUCTURAL ENGINEER.
 - 6 LETTER "D" IN MODEL NUMBER DESIGNATES, DIRECT GAS HEATED UNIT. "F" DESIGNATES FRONT INTAKE, "T" IS TOP MOTOR.
 - 7 SUPPORT DIRECT GAS HEATERS SEPARATELY FROM UNIT.
 - 8 DIMENSIONS IN INCHES [CENTIMETERS].

MODEL	NOZZLE WIDTH "A"	MOUNTING WIDTH "B"	UNIT WIDTH "C"	BURNER WIDTH "D"	MOUNTING WIDTH "E"	INTAKE WIDTH "F"
IDC16-1060D-F	60.00 [152.40]	61.50 [156.21]	63.00 [160.02]	39.00 [99.06]	37.50 [95.25]	36.00 [91.44]
IDC16-1072D-F	72.00 [182.88]	73.50 [186.69]	75.00 [190.50]	39.00 [99.06]	37.50 [95.25]	36.00 [91.44]
IDC16-1084D-F	84.00 [213.36]	85.50 [217.17]	87.00 [220.98]	39.00 [99.06]	37.50 [95.25]	36.00 [91.44]
IDC16-1096D-F	96.00 [243.84]	97.50 [247.65]	99.00 [251.46]	51.00 [129.54]	49.50 [125.73]	48.00 [121.92]
IDC16-1108D-F	108.00 [274.32]	109.50 [278.13]	111.00 [281.94]	51.00 [129.54]	49.50 [125.73]	48.00 [121.92]
IDC16-1120D-F	117.00 [297.18]	118.50 [300.99]	120.00 [304.80]	75.00 [190.50]	73.50 [186.69]	72.00 [182.88]
IDC16-1132D-F	132.00 [335.28]	133.50 [339.09]	135.00 [342.90]	75.00 [190.50]	73.50 [186.69]	72.00 [182.88]
IDC16-1144D-F	144.00 [365.76]	145.50 [369.57]	147.00 [373.38]	75.00 [190.50]	73.50 [186.69]	72.00 [182.88]
IDC16-1156D-F	156.00 [396.24]	157.50 [400.05]	159.00 [403.86]	87.00 [220.98]	85.50 [217.17]	84.00 [213.36]
IDC16-2168D-F	168.00 [426.72]	169.50 [430.53]	171.00 [434.34]	87.00 [220.98]	85.50 [217.17]	84.00 [213.36]
IDC16-2180D-F	180.00 [457.20]	181.50 [461.01]	183.00 [464.82]	99.00 [251.46]	97.50 [247.65]	96.00 [243.84]
IDC16-2192D-F	192.00 [487.68]	193.50 [491.49]	195.00 [495.30]	99.00 [251.46]	97.50 [247.65]	96.00 [243.84]

PROJECT		
LOCATION		
ARCHITECT		
ENGINEER		
DWG. NO.	IDC16-DGF1	TITLE: BERNER
DATE	03DEC19	MODEL IDC16 AIR CURTAIN
BY	N. GRADY	DIRECT GAS FIRED - ONE HEATER SYSTEM
REPLACES	13JUNE14	
BY	S. Beil	BERNER INTERNATIONAL CORP. NEW CASTLE, PA.