



# INDUSTRIAL BELT DRIVE 20

## Positive Indirect Gas Heated Air Curtain

### Data Sheet

For Mounting Heights To 20' (environmental separation)

#### STANDARD CONSTRUCTION

- Single speed T.E.F.C. motor - belt drive
- Gray powder coated exterior (Optional: Custom Color or Stainless)
- Split cabinet construction for fan assembly removal
- Removable access panels
- Top Mounting only
- Front air intake only
- Motor location top right (Optional: top left)

- Factory mounted duct transition with bottom access panels
- Field installed ETL (US & Canada) Certified indirect gas heater(s):
  - Aluminized steel heat exchanger (Optional: Stainless)
  - Steel cabinet with beige finish
  - Spark ignited pilot
  - Power venter
  - Separate 120V power supply required (Optional: transformer for single point connection)

**2 Year  
Limited  
Warranty**



MODEL	Nozzle Width (in)	Max Vel. at Nozzle (fpm)	Avg. Outlet Vel. (fpm)	Air Volume (cfm)	Outlet Vel. Uniformity	Power Rating (kW)	Motor @ HP	Heater(s) @ Input (MBH)	Total Heater Output (MBH)	Air Temp. Rise (°F)	Net Wt. Air Curtain (lbs)	Net Wt. Duct Trans. (lbs)	Net Wt. Heater (lbs)
IBC20-1060G	60.00	6,580	3,870	6,854	89%	4.70	1 @ 5	1 @ 345.0	276.0	37°	445	79	285
IBC20-1072G	72.00	6,549	3,852	8,186	89%	4.90	1 @ 5	1 @ 345.0	276.0	31°	496	94	285
IBC20-1084G	84.00	6,076	3,574	8,861	87%	4.90	1 @ 5	1 @ 345.0	276.0	29°	547	109	285
IBC20-1096G	96.00	6,900	4,059	11,500	92%	6.80	1 @ 7½	2 @ 230.0	368.0	29°	673	102	2 @ 225
IBC20-1108G	108.00	6,747	3,969	12,650	90%	6.90	1 @ 7½	2 @ 230.0	368.0	27°	759	117	2 @ 225
IBC20-1120G	117.00	7,494	4,523	15,612	88%	8.70	1 @ 10	2 @ 345.0	552.0	33°	834	128	2 @ 285
IBC20-1132G	132.00	7,017	4,127	16,080	87%	8.90	1 @ 10	2 @ 345.0	552.0	32°	886	147	2 @ 285
IBC20-1144G	144.00	7,640	4,381	19,100	87%	11.70	1 @ 15	2 @ 390.0	624.0	30°	932	161	2 @ 285
IBC20-1156G	156.00	7,405	4,356	20,055	86%	11.90	1 @ 15	2 @ 390.0	624.0	29°	1,043	176	2 @ 285
IBC20-1168G	168.00	7,783	4,323	22,700	90%	12.80	1 @ 15	3 @ 345.0	828.0	34°	1,134	170	3 @ 285
IBC20-1180G	180.00	7,300	4,294	22,814	91%	12.90	1 @ 15	3 @ 345.0	828.0	33°	1,185	185	3 @ 285
IBC20-1192G	192.00	6,900	4,059	23,000	92%	13.60	1 @ 15	3 @ 345.0	828.0	33°	1,311	199	3 @ 285

#### NOTES:

1. Operation at 50 Hz will generate approximately a 17% reduction in performance.
2. Performance data based on AMCA licensed data from unheated IDC20 units.
3. Maximum leaving air temperature shall not exceed 120°F.
4. Duct transition is factory mounted to air curtain and requires individual support.
5. Gas heater(s) shall not be directly connected to transition and require individual support.
6. Maximum gas supply pressure: 1/2 psi, 8 ounces, or 14 inches water column.
7. Vertically mounted Industrial Belt Drive air curtains not available.

See sheet EP-458 for amp draws/total load requirements.

### MODEL NUMBER CONFIGURATION

**IBC20-1 060 G D-F T-SS**

Series	# of Motors	Opening Width	Heat	Voltage	Intake	Motor Location	Opt. Cabinet Finish
IBC20	1	060" - 192"	G=Indirect Gas Heated	D=208/3/60 E=240/3/60 H=480/3/60 I=600/3/60 T=380/3/50	F=Front	T=Top	SS=Stainless Steel CC=Custom Color

Sound level measured 10' (3m) from the unit in free field:  
5, 7½, 10 & 15 hp motor(s):  
73 dBA, 75 dBA, 76 dBA & 78 dBA

Berner reserves the right to alter specifications without prior notice.

**www.berner.com Berner International 800.245.4455**  
111 Progress Ave. / New Castle / PA / 16101 / USA

DS-458  
October, 2018



# INDUSTRIAL BELT DRIVE 20

**Positive Indirect Gas Heated Air Curtain  
Electrical Performance Sheet**

208/3/60 (voltage code D)												
TOTAL MOTOR AMP DRAW												
				MULTIPLE CKT - MOTOR PANEL & HEATER					SINGLE CKT - MOTOR PANEL & XFMR FOR HTR.			
MODEL	HEATER MBH	Temp Rise °F	Qty @ HP	# CKTS	AMPS PER CIRCUIT		BREAKER RATING PER CIRCUIT		# CKTS	XFMR KVA	AMPS PER CIRCUIT (including XFMR)	BREAKER RATING PER CIRCUIT
					MOTOR 208V CKT	HEATER 120V CKT	MOTOR 208V CKT	HEATER 120V CKT				
IBC20-1060G	1 @ 345	34	1 @ 5	2	13.6	9.0	30	15	1	1	18.4	30
IBC20-1072G	1 @ 345	31	1 @ 5	2	13.6	9.0	30	15	1	1	18.4	30
IBC20-1084G	1 @ 345	29	1 @ 5	2	13.6	9.0	30	15	1	1	18.4	30
IBC20-1096G	2 @ 230	29	1 @ 7.5	3	20.0	9.0/9.0	50	15/15	1	2	29.6	50
IBC20-1108G	2 @ 230	27	1 @ 7.5	3	20.0	9.0/9.0	50	15/15	1	2	29.6	50
IBC20-1120G	2 @ 345	33	1 @ 10	3	26.5	9.0/9.0	60	15/15	1	2	36.1	60
IBC20-1132G	2 @ 345	32	1 @ 10	3	26.5	9.0/9.0	60	15/15	1	2	36.1	60
IBC20-1144G	2 @ 390	30	1 @ 15	3	40.0	9.0/9.0	100	15/15	1	2	49.6	100
IBC20-1156G	2 @ 390	29	1 @ 15	3	40.0	9.0/9.0	100	15/15	1	2	49.6	100
IBC20-1168G	3 @ 345	34	1 @ 15	4	40.0	9.0/9.0/9.0	100	15/15/15	1	3	54.4	100
IBC20-1180G	3 @ 345	33	1 @ 15	4	40.0	9.0/9.0/9.0	100	15/15/15	1	3	54.4	100
IBC20-1192G	3 @ 345	33	1 @ 15	4	40.0	9.0/9.0/9.0	100	15/15/15	1	3	54.4	100



# INDUSTRIAL BELT DRIVE 20

**Positive Indirect Gas Heated Air Curtain  
Electrical Performance Sheet**

240/3/60 (voltage code E) TOTAL MOTOR AMP DRAW												
				MULTIPLE CKT - MOTOR PANEL & HEATER				SINGLE CKT - MOTOR PANEL & XFMR FOR HTR.				
MODEL	HEATER MBH	Temp Rise °F	Qty @ HP	# CKTS	AMPS PER CIRCUIT		BREAKER RATING PER CIRCUIT		# CKTS	XFMR KVA	AMPS PER CIRCUIT (including XFMR)	BREAKER RATING PER CIRCUIT
					MOTOR 240V CKT	HEATER 120V CKT	MOTOR 240V CKT	HEATER 120V CKT				
IBC20-1060G	1 @ 345	34	1 @ 5	2	12.3	9.0	30	15	1	1	16.5	30
IBC20-1072G	1 @ 345	31	1 @ 5	2	12.3	9.0	30	15	1	1	16.5	30
IBC20-1084G	1 @ 345	29	1 @ 5	2	12.3	9.0	30	15	1	1	16.5	30
IBC20-1096G	2 @ 230	29	1 @ 7.5	3	18.2	9.0/9.0	45	15/15	1	2	26.5	45
IBC20-1108G	2 @ 230	27	1 @ 7.5	3	18.2	9.0/9.0	45	15/15	1	2	26.5	45
IBC20-1120G	2 @ 345	33	1 @ 10	3	23.9	9.0/9.0	60	15/15	1	2	32.2	60
IBC20-1132G	2 @ 345	32	1 @ 10	3	23.9	9.0/9.0	60	15/15	1	2	32.2	60
IBC20-1144G	2 @ 390	30	1 @ 15	3	37.0	9.0/9.0	100	15/15	1	2	45.3	100
IBC20-1156G	2 @ 390	29	1 @ 15	3	37.0	9.0/9.0	100	15/15	1	2	45.3	100
IBC20-1168G	3 @ 345	34	1 @ 15	4	37.0	9.0/9.0/9.0	100	15/15/15	1	3	49.5	100
IBC20-1180G	3 @ 345	33	1 @ 15	4	37.0	9.0/9.0/9.0	100	15/15/15	1	3	49.5	100
IBC20-1192G	3 @ 345	33	1 @ 15	4	37.0	9.0/9.0/9.0	100	15/15/15	1	3	49.5	100

480/3/60 (voltage code H)												
TOTAL MOTOR AMP DRAW												
					MULTIPLE CKT - MOTOR PANEL & HEATER				SINGLE CKT - MOTOR PANEL & XFMR FOR HTR.			
MODEL	HEATER MBH	Temp Rise °F	Qty @ HP	# CKTS	AMPS PER CIRCUIT		BREAKER RATING PER CIRCUIT		# CKTS	XFMR KVA	AMPS PER CIRCUIT (including XFMR)	BREAKER RATING PER CIRCUIT
					MOTOR 480V CKT	HEATER 120V CKT	MOTOR 480V CKT	HEATER 120V CKT				
IBC20-1060G	1 @ 345	34	1 @ 5	2	6.2	9.0	15	15	1	1	8.3	15
IBC20-1072G	1 @ 345	31	1 @ 5	2	6.2	9.0	15	15	1	1	8.3	15
IBC20-1084G	1 @ 345	29	1 @ 5	2	6.2	9.0	15	15	1	1	8.3	15
IBC20-1096G	2 @ 230	29	1 @ 7.5	3	9.1	9.0/9.0	25	15/15	1	2	13.3	25
IBC20-1108G	2 @ 230	27	1 @ 7.5	3	9.1	9.0/9.0	25	15/15	1	2	13.3	25
IBC20-1120G	2 @ 345	33	1 @ 10	3	12.0	9.0/9.0	30	15/15	1	2	16.2	30
IBC20-1132G	2 @ 345	32	1 @ 10	3	12.0	9.0/9.0	30	15/15	1	2	16.2	30
IBC20-1144G	2 @ 390	30	1 @ 15	3	18.4	9.0/9.0	45	15/15	1	2	22.6	45
IBC20-1156G	2 @ 390	29	1 @ 15	3	18.4	9.0/9.0	45	15/15	1	2	22.6	45
IBC20-1168G	3 @ 345	34	1 @ 15	4	18.4	9.0/9.0/9.0	45	15/15/15	1	3	24.7	45
IBC20-1180G	3 @ 345	33	1 @ 15	4	18.4	9.0/9.0/9.0	45	15/15/15	1	3	24.7	45
IBC20-1192G	3 @ 345	33	1 @ 15	4	18.4	9.0/9.0/9.0	45	15/15/15	1	3	24.7	45



# INDUSTRIAL BELT DRIVE 20

Positive Indirect Gas Heated Air Curtain  
Electrical Performance Sheet

600/3/60 (voltage code I)													
TOTAL MOTOR AMP DRAW													
MULTIPLE CKT - MOTOR PANEL & HEATER													
MODEL	HEATER MBH	Temp Rise °F	Qty @ HP	# CKTS	AMPS PER CIRCUIT		BREAKER RATING PER CIRCUIT		SINGLE CKT - MOTOR PANEL & XFMR FOR HTR.				
					MOTOR 600V CKT	HEATER 120V CKT	MOTOR 600V CKT	HEATER 120V CKT	# CKTS	XFMR KVA	AMPS PER CIRCUIT (including XFMR)	BREAKER RATING PER CIRCUIT	
IBC20-1060G	1 @ 345	34	1 @ 5	2	5.1	9.0	15	15	1	1	6.8	15	
IBC20-1072G	1 @ 345	31	1 @ 5	2	5.1	9.0	15	15	1	1	6.8	15	
IBC20-1084G	1 @ 345	29	1 @ 5	2	5.1	9.0	15	15	1	1	6.8	15	
IBC20-1096G	2 @ 230	29	1 @ 7.5	3	7.2	9.0/9.0	15	15/15	1	2	10.7	15	
IBC20-1108G	2 @ 230	27	1 @ 7.5	3	7.2	9.0/9.0	15	15/15	1	2	10.7	15	
IBC20-1120G	2 @ 345	33	1 @ 10	3	9.6	9.0/9.0	20	15/15	1	2	13.1	20	
IBC20-1132G	2 @ 345	32	1 @ 10	3	9.6	9.0/9.0	20	15/15	1	2	13.1	20	
IBC20-1144G	2 @ 390	30	1 @ 15	3	14.6	9.0/9.0	30	15/15	1	2	18.1	30	
IBC20-1156G	2 @ 390	29	1 @ 15	3	14.6	9.0/9.0	30	15/15	1	2	18.1	30	
IBC20-1168G	3 @ 345	34	1 @ 15	4	14.6	9.0/9.0/9.0	30	15/15/15	1	3	19.8	30	
IBC20-1180G	3 @ 345	33	1 @ 15	4	14.6	9.0/9.0/9.0	30	15/15/15	1	3	19.8	30	
IBC20-1192G	3 @ 345	33	1 @ 15	4	14.6	9.0/9.0/9.0	30	15/15/15	1	3	19.8	30	



# INDUSTRIAL BELT DRIVE 20

Positive Indirect Gas Heated Air Curtain  
Electrical Performance Sheet

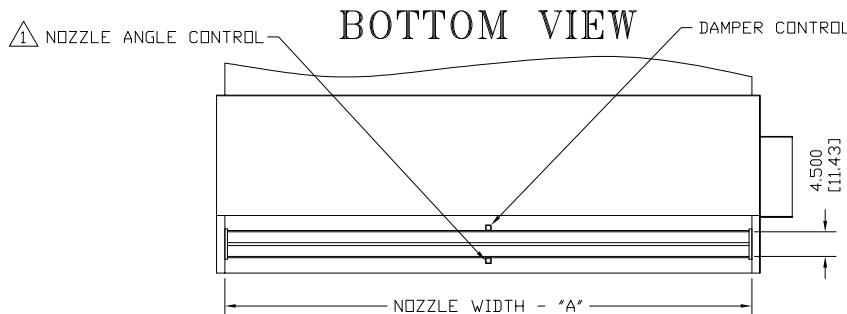
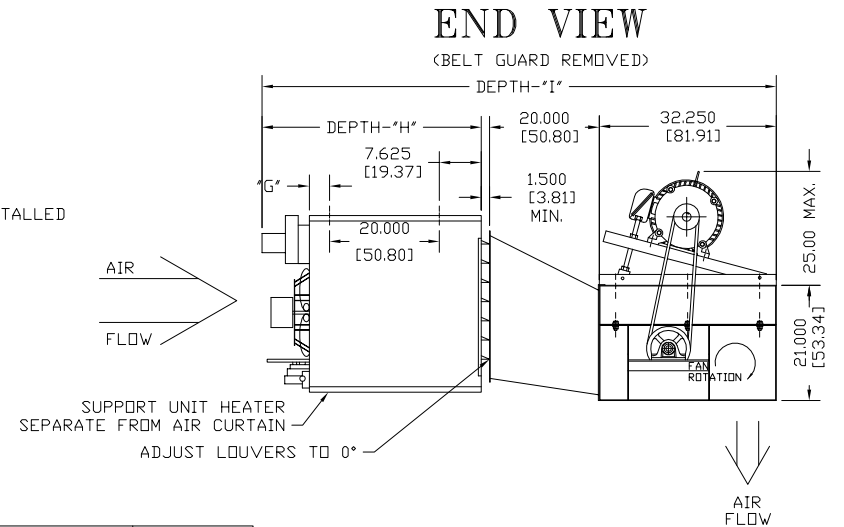
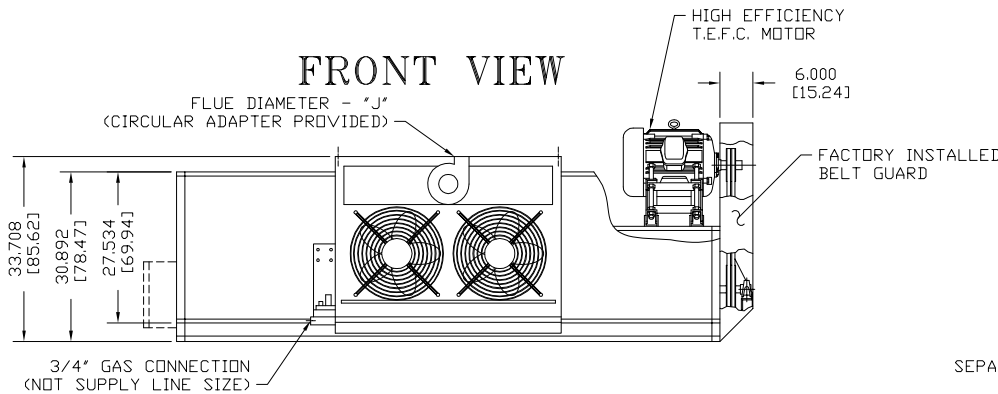
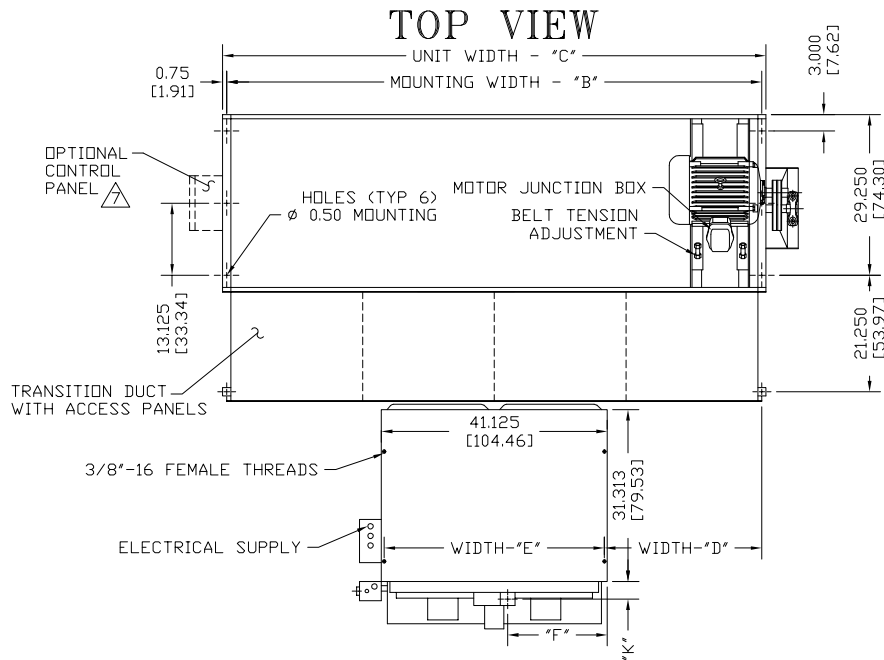
380/3/50 (voltage code T)												
TOTAL MOTOR AMP DRAW												
MODEL	HEATER MBH	Temp Rise °F	Qty @ HP	# CKTS	MULTIPLE CKT - MOTOR PANEL & HEATER				SINGLE CKT - MOTOR PANEL & XFMR FOR HTR.			
					AMPS PER CIRCUIT		BREAKER RATING PER CIRCUIT		# CKTS	XFMR KVA	AMPS PER CIRCUIT (including XFMR)	BREAKER RATING PER CIRCUIT
					MOTOR 380V CKT	HEATER 120V CKT	MOTOR 380V CKT	HEATER 120V CKT				
IBC20-1060G	1 @ 345	34	1 @ 5	2	6.2	9.0	15	15	1	1	8.8	15
IBC20-1072G	1 @ 345	31	1 @ 5	2	6.2	9.0	15	15	1	1	8.8	15
IBC20-1084G	1 @ 345	29	1 @ 5	2	6.2	9.0	15	15	1	1	8.8	15
IBC20-1096G	2 @ 230	29	1 @ 7.5	3	9.1	9.0/9.0	25	15/15	1	2	14.4	25
IBC20-1108G	2 @ 230	27	1 @ 7.5	3	9.1	9.0/9.0	25	15/15	1	2	14.4	25
IBC20-1120G	2 @ 345	33	1 @ 10	3	12.0	9.0/9.0	30	15/15	1	2	17.3	30
IBC20-1132G	2 @ 345	32	1 @ 10	3	12.0	9.0/9.0	30	15/15	1	2	17.3	30
IBC20-1144G	2 @ 390	30	1 @ 15	3	18.4	9.0/9.0	45	15/15	1	2	23.7	45
IBC20-1156G	2 @ 390	29	1 @ 15	3	18.4	9.0/9.0	45	15/15	1	2	23.7	45
IBC20-1168G	3 @ 345	34	1 @ 15	4	18.4	9.0/9.0/9.0	45	15/15/15	1	3	26.3	45
IBC20-1180G	3 @ 345	33	1 @ 15	4	18.4	9.0/9.0/9.0	45	15/15/15	1	3	26.3	45
IBC20-1192G	3 @ 345	33	1 @ 15	4	18.4	9.0/9.0/9.0	45	15/15/15	1	3	26.3	45

# IBC20

## INDIRECT GAS HEATED ONE HEATER SYSTEM FRONT INTAKE

### NOTES:

- 1 AIR CURTAIN MUST BE INSTALLED SO AIR STREAM IS NOT OBSTRUCTED WHEN DEFLECTED 20° TO EITHER SIDE OF  $\bar{C}$ .
- 2 ELECTRICAL CONNECTIONS TO BE FLEXIBLE.
- 3 FIELD VERIFY DIMENSIONS.
- 4 ANCHORS TO SUPPORTING STRUCTURE BY OTHERS.
- 5 ADEQUACY OF SUPPORTING STRUCTURE IS TO BE VERIFIED BY A PROFESSIONAL STRUCTURAL ENGINEER.
- 6 LETTER "G" IN MODEL NUMBER DESIGNATES POSITIVE INDIRECT GAS HEATER UNIT. "F" DESIGNATES FRONT INTAKE, "T" IS TOP MOTOR.
- 7 OPTIONAL CONTROL PANEL AVAILABLE: LEFT HAND MOUNT, RIGHT HAND MOUNT, OR REMOTE. PLEASE SPECIFY.
- 8 SUPPLY PRESSURES HIGHER THAN 0.50 POUND REQUIRE INSTALLATION OF AN ADDITIONAL SERVICE REGULATOR EXTERNAL TO THE UNIT.
- 9 DIMENSIONS IN INCHES (CENTIMETERS).



MODEL	TOTAL NO. HEATER(S) @ MBTU INPUT
IBC20-1060G-FT	1 @ 345
IBC20-1072G-FT	1 @ 345
IBC20-1084G-FT	1 @ 345

### CAUTION:

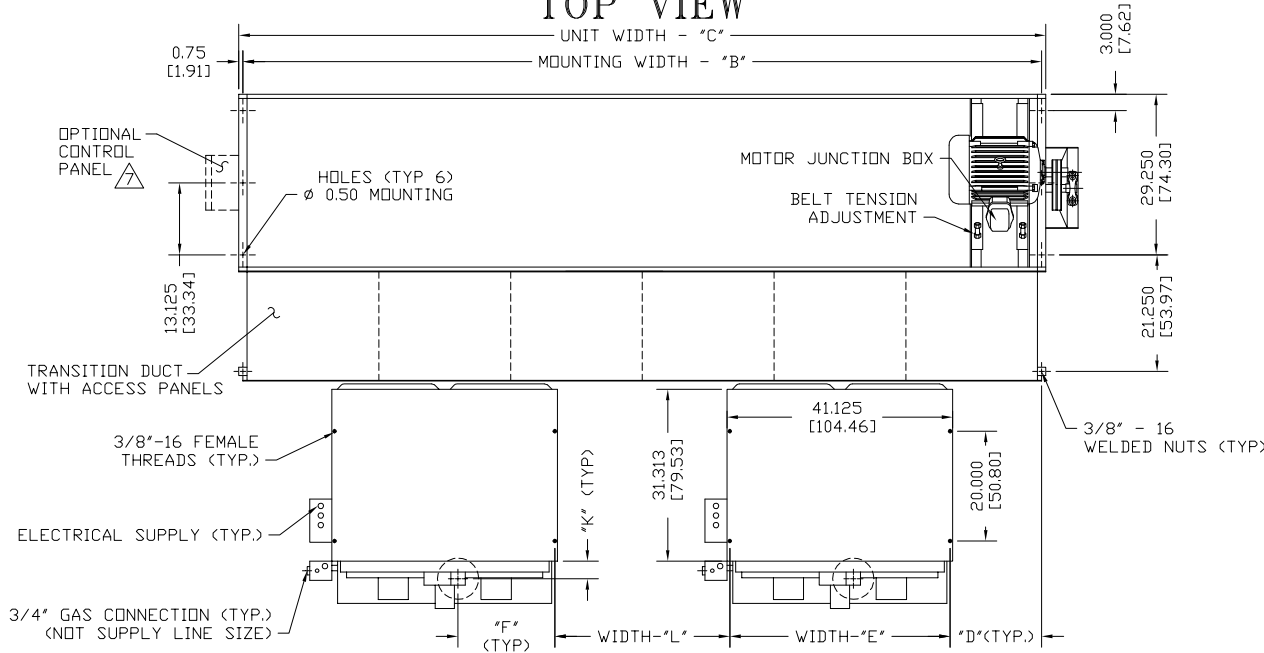
HEATER IS EQUIPPED FOR A MAXIMUM GAS SUPPLY PRESSURE OF 1/2 POUND, 8 OUNCES, OR 14 INCHES WATER COLUMN.

PROJECT		
LOCATION		
ARCHITECT		
ENGINEER		
DWG. NO.	IBC20-IGF1	TITLE: <b>BERNER</b>
DATE	11JUNE14	MODEL IBC20 AIR CURTAIN
BY	S. Beil	INDIRECT GAS FIRED - ONE HEATER SYSTEM
REPLACES	-	
BY	-	BERNER INTERNATIONAL CORP. NEW CASTLE, PA.

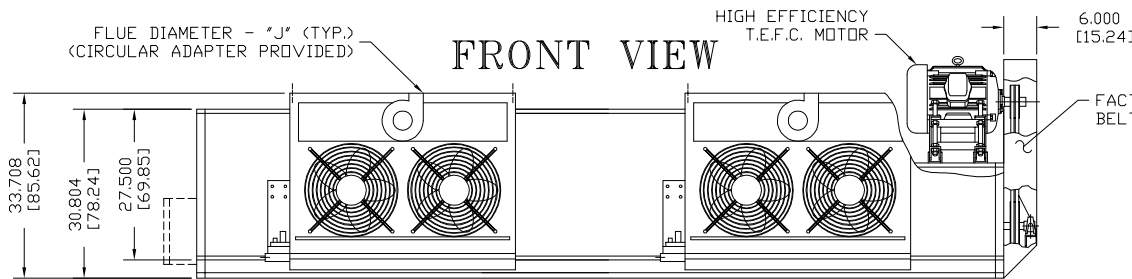
FOR DIMENSIONS SEE DWG. #IBC20-IGF4

# IBC20 INDIRECT GAS HEATED TWO HEATER SYSTEM FRONT INTAKE

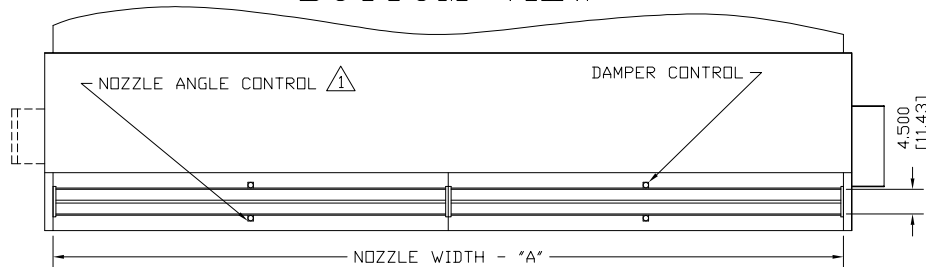
## TOP VIEW



## FRONT VIEW



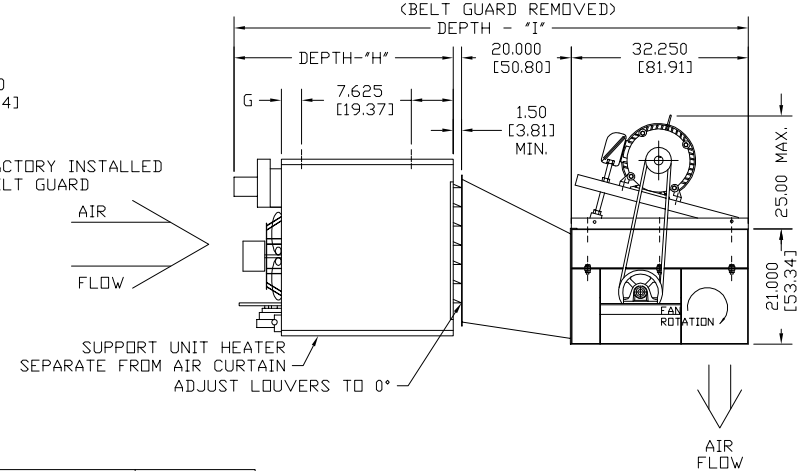
## BOTTOM VIEW



## NOTES:

- 1 AIR CURTAIN MUST BE INSTALLED SO AIR STREAM IS NOT OBSTRUCTED WHEN DEFLECTED 20° TO EITHER SIDE OF G.
- 2 ELECTRICAL CONNECTIONS TO BE FLEXIBLE.
- 3 FIELD VERIFY DIMENSIONS.
- 4 ANCHORS TO SUPPORTING STRUCTURE BY OTHERS.
- 5 ADEQUACY OF SUPPORTING STRUCTURE IS TO BE VERIFIED BY A PROFESSIONAL STRUCTURAL ENGINEER.
- 6 LETTER "G" IN MODEL NUMBER DESIGNATES, POSITIVE INDIRECT GAS HEATER UNIT. "F" DESIGNATES FRONT INTAKE, "T" IS TOP MOTOR.
- 7 OPTIONAL CONTROL PANEL AVAILABLE: LEFT HAND MOUNT, RIGHT HAND MOUNT, OR REMOTE. PLEASE SPECIFY.
- 8 SUPPLY PRESSURES HIGHER THAN 0.50 POUND REQUIRE INSTALLATION OF AN ADDITIONAL SERVICE REGULATOR EXTERNAL TO THE UNIT.
- 9 DIMENSIONS IN INCHES [CENTIMETERS].

## END VIEW



MODEL	TOTAL NO. HEATER(S) @ MBTU INPUT
IBC20-1096G-FT	2 @ 230
IBC20-1108G-FT	2 @ 230
IBC20-1120G-FT	2 @ 345
IBC20-1132G-FT	2 @ 345
IBC20-1144G-FT	2 @ 390
IBC20-1156G-FT	2 @ 390

## CAUTION:

HEATER IS EQUIPPED FOR A MAXIMUM GAS SUPPLY PRESSURE OF 1/2 POUND, 8 OUNCES, OR 14 INCHES WATER COLUMN.

PROJECT		TITLE:	<b>BERNER</b>
LOCATION		MODEL IBC20 AIR CURTAIN	
ARCHITECT		INDIRECT GAS FIRED - TWO HEATER SYSTEM	
ENGINEER			
DWG. NO.	IBC20-IGF2	BY	S. Beil
DATE	11JUNE14	REPLACES	-
BY	S. Beil	BY	-
		BERNER INTERNATIONAL CORP. NEW CASTLE, PA.	

FOR DIMENSIONS SEE DWG. #IBC20-IGF4

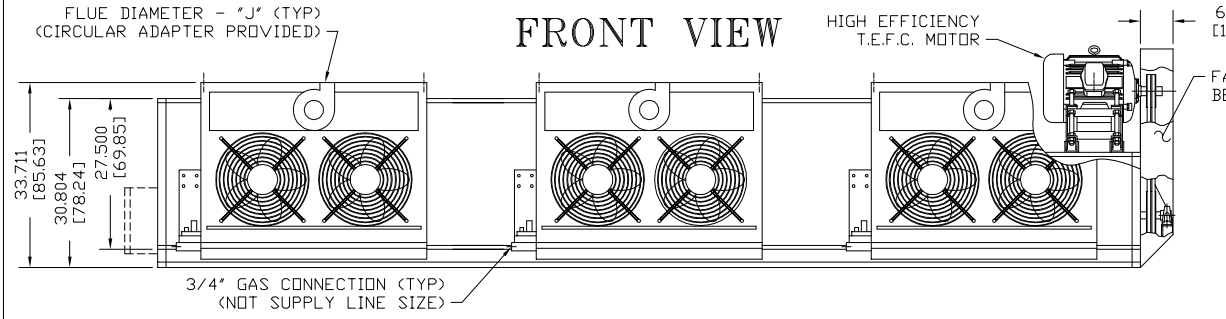
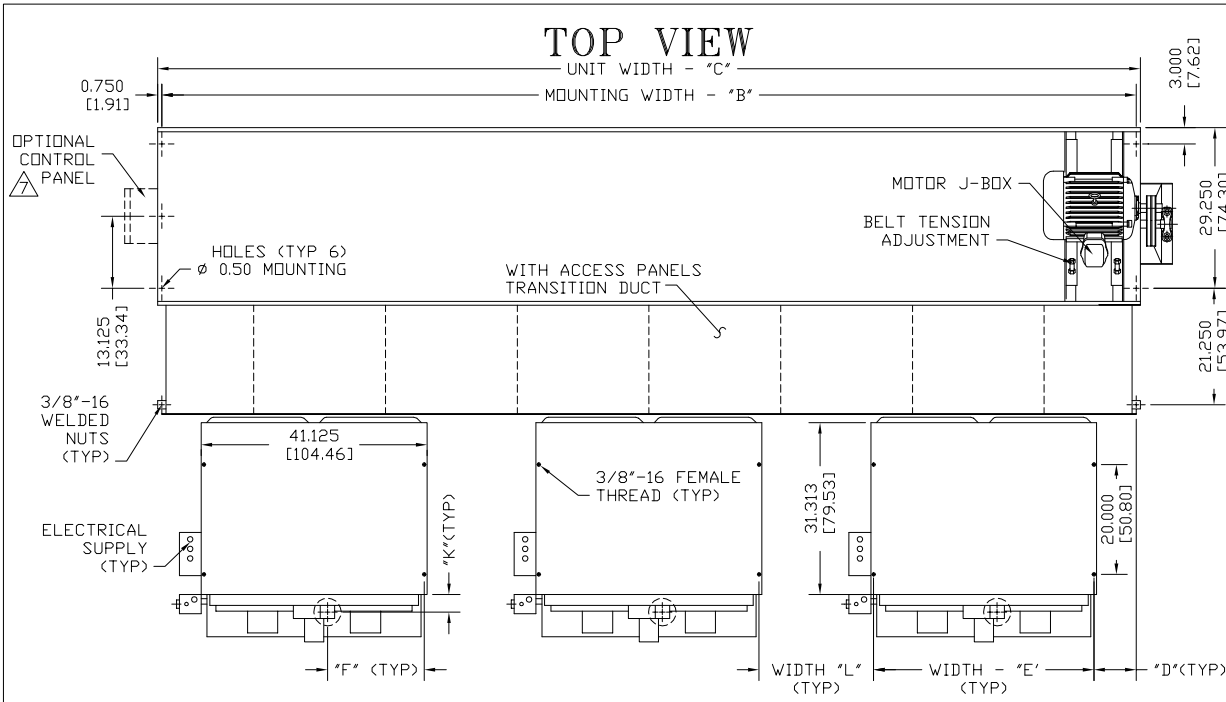


# IBC20

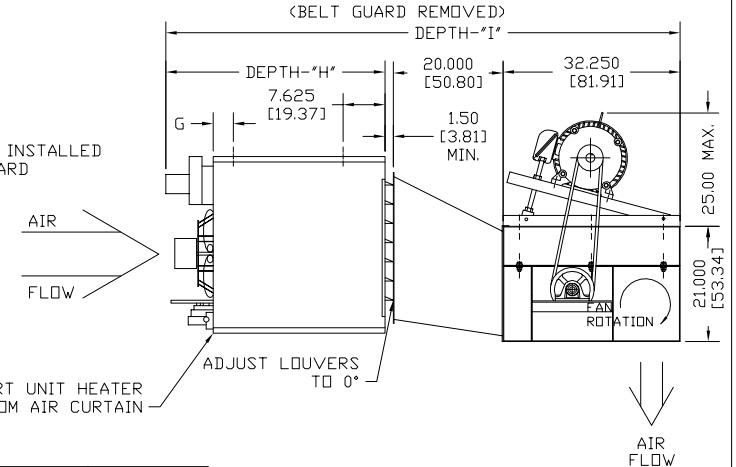
## INDIRECT GAS HEATED THREE HEATER SYSTEM FRONT INTAKE

### NOTES:

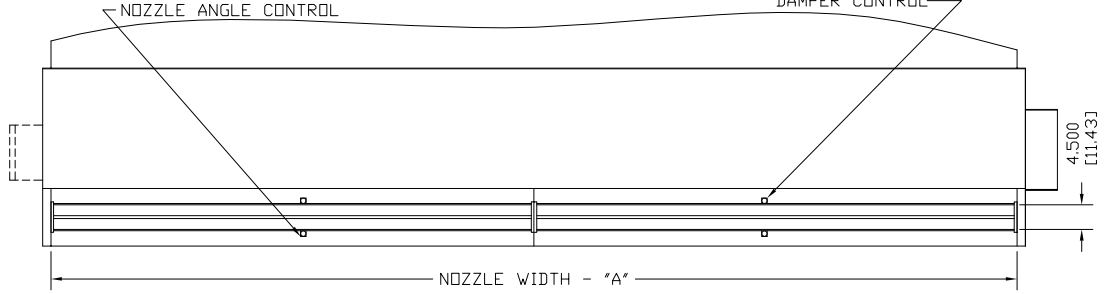
- 1 AIR CURTAIN MUST BE INSTALLED SO AIR STREAM IS NOT OBSTRUCTED WHEN DEFLECTED 20° TO EITHER SIDE OF C.
- 2 ELECTRICAL CONNECTIONS TO BE FLEXIBLE.
- 3 FIELD VERIFY DIMENSIONS.
- 4 ANCHORS TO SUPPORTING STRUCTURE BY OTHERS.
- 5 ADEQUACY OF SUPPORTING STRUCTURE IS TO BE VERIFIED BY A PROFESSIONAL STRUCTURAL ENGINEER.
- 6 LETTER "G" IN MODEL NUMBER DESIGNATES, POSITIVE INDIRECT GAS HEATER UNIT. "F" DESIGNATES FRONT INTAKE, "T" IS TOP MOTOR.
- 7 OPTIONAL CONTROL PANEL AVAILABLE: LEFT HAND MOUNT, RIGHT HAND MOUNT, OR REMOTE. PLEASE SPECIFY.
- 8 SUPPLY PRESSURES HIGHER THAN 0.50 POUND REQUIRE INSTALLATION OF AN ADDITIONAL SERVICE REGULATOR EXTERNAL TO THE UNIT.
- 9 DIMENSIONS IN INCHES (CENTIMETERS).



### END VIEW



### BOTTOM VIEW



MODEL	TOTAL NO. HEATER(S) @ MBTU INPUT
IBC20-1168G-FT	3 @ 345
IBC20-1180G-FT	3 @ 345
IBC20-1192G-FT	3 @ 345

### CAUTION:

HEATER IS EQUIPPED FOR A MAXIMUM GAS SUPPLY PRESSURE OF 1/2 POUND, 8 OUNCES, OR 14 INCHES WATER COLUMN.

PROJECT		
LOCATION		
ARCHITECT		
ENGINEER		
DWG. NO.	IBC20-IGF3	TITLE: <b>BERNER</b>
DATE	11JUNE14	MODEL IBC20 AIR CURTAIN
BY	S. Beil	INDIRECT GAS FIRED - THREE HEATER SYSTEM
REPLACES	-	
BY	-	BERNER INTERNATIONAL CORP. NEW CASTLE, PA.

FOR DIMENSIONS SEE DWG. #IBC20-IGF4

# IBC20

## INDIRECT GAS HEATED

MODEL	NOZZLE WIDTH "A"	MOUNTING WIDTH "B"	UNIT WIDTH "C"	TOTAL NO. HEATER(S) @ MBTU INPUT	WIDTH "D"	WIDTH "E"	WIDTH "F"	DEPTH "G"	DEPTH "H"	DEPTH "I"	FLUE "J"	DEPTH "K"	WIDTH "L"
IBC20-1060G-FT	60.00 [152.40]	61.50 [156.21]	63.00 [160.02]	1 @ 345	10.75 [27.31]	40.00 [101.60]	16.94 [43.02]	3.69 [9.37]	41.13 [104.46]	94.88 [240.98]	6.00 [15.24]	3.50 [8.89]	-
IBC20-1072G-FT	72.00 [182.88]	73.50 [186.69]	75.00 [190.50]	1 @ 345	16.75 [42.55]	40.00 [101.60]	16.94 [43.02]	3.69 [9.37]	41.13 [104.46]	94.88 [240.98]	6.00 [15.24]	3.50 [8.89]	-
IBC20-1084G-FT	84.00 [213.36]	85.50 [217.17]	87.00 [220.98]	1 @ 345	22.75 [57.79]	40.00 [101.60]	16.94 [43.02]	3.69 [9.37]	41.13 [104.46]	94.88 [240.98]	6.00 [15.24]	3.50 [8.89]	-
IBC20-1096G-FT	96.00 [243.84]	97.50 [247.65]	99.00 [251.46]	2 @ 230	4.75 [12.07]	40.00 [101.60]	17.19 [43.66]	3.69 [9.37]	40.00 [101.60]	93.75 [238.13]	5.00 [12.70]	3.50 [8.89]	8.00 [20.32]
IBC20-1108G-FT	108.00 [274.32]	109.50 [278.13]	111.00 [281.94]	2 @ 230	7.75 [19.69]	40.00 [101.60]	17.19 [43.66]	3.69 [9.37]	40.00 [101.60]	93.75 [238.13]	5.00 [12.70]	3.50 [8.89]	14.00 [35.56]
IBC20-1120G-FT	117.00 [297.18]	118.50 [300.99]	120.00 [304.80]	2 @ 345	10.00 [25.40]	40.00 [101.60]	16.94 [43.02]	3.69 [9.37]	41.13 [104.46]	94.88 [240.98]	6.00 [15.24]	3.50 [8.89]	18.50 [46.99]
IBC20-1132G-FT	132.00 [335.28]	133.50 [339.09]	135.00 [342.90]	2 @ 345	13.75 [34.93]	40.00 [101.60]	16.94 [43.02]	3.69 [9.37]	41.13 [104.46]	94.88 [240.98]	6.00 [15.24]	3.50 [8.89]	26.00 [66.04]
IBC20-1144G-FT	144.00 [365.76]	145.50 [369.57]	147.00 [373.38]	2 @ 390	16.75 [42.55]	40.00 [101.60]	16.94 [43.02]	3.69 [9.37]	41.13 [104.46]	94.88 [240.98]	6.00 [15.24]	3.50 [8.89]	32.00 [81.28]
IBC20-1156G-FT	156.00 [396.24]	157.50 [400.05]	159.00 [403.86]	2 @ 390	19.75 [50.17]	40.00 [101.60]	16.94 [43.02]	3.69 [9.37]	41.13 [104.46]	94.88 [240.98]	6.00 [15.24]	3.50 [8.89]	38.00 [96.52]
IBC20-1168G-FT	168.00 [426.72]	169.50 [430.53]	171.00 [434.34]	3 @ 345	8.75 [22.23]	40.00 [101.60]	16.94 [43.02]	3.69 [9.37]	41.13 [104.46]	94.88 [240.98]	6.00 [15.24]	3.50 [8.89]	16.00 [40.64]
IBC20-1180G-FT	180.00 [457.20]	181.50 [461.01]	183.00 [464.82]	3 @ 345	10.75 [27.31]	40.00 [101.60]	16.94 [43.02]	3.69 [9.37]	41.13 [104.46]	94.88 [240.98]	6.00 [15.24]	3.50 [8.89]	20.00 [50.80]
IBC20-1192G-FT	192.00 [487.68]	193.50 [491.49]	195.00 [495.30]	3 @ 345	12.75 [32.39]	40.00 [101.60]	16.94 [43.02]	3.69 [9.37]	41.13 [104.46]	94.88 [240.98]	6.00 [15.24]	3.50 [8.89]	24.00 [60.96]

### NOTES:

- ① AIR CURTAIN MUST BE INSTALLED SO AIR STREAM IS NOT OBSTRUCTED WHEN DEFLECTED 20° TO EITHER SIDE OF  $\bar{C}$ .
- ② ELECTRICAL CONNECTIONS TO BE FLEXIBLE.
- ③ FIELD VERIFY DIMENSIONS.
- ④ ANCHORS TO SUPPORTING STRUCTURE BY OTHERS.
- ⑤ ADEQUACY OF SUPPORTING STRUCTURE IS TO BE VERIFIED BY A PROFESSIONAL STRUCTURAL ENGINEER.
- ⑥ LETTER "G" IN MODEL NUMBER DESIGNATES POSITIVE INDIRECT GAS HEATER UNIT. "F" DESIGNATES FRONT INTAKE, "T" IS TOP MOTOR.
- ⑦ OPTIONAL CONTROL PANEL AVAILABLE: LEFT HAND MOUNT, RIGHT HAND MOUNT, OR REMOTE. PLEASE SPECIFY.
- ⑧ SEP 230-400 FURNACES HAVE TWO FANS AND FOUR MOUNTING POINTS.
- ⑨ SUPPLY PRESSURES HIGHER THAN 0.50 POUND REQUIRE INSTALLATION OF AN ADDITIONAL SERVICE REGULATOR EXTERNAL TO THE UNIT.
- ⑩ DIMENSIONS IN INCHES [CENTIMETERS].

PROJECT		
LOCATION		
ARCHITECT		
ENGINEER		
DWG. NO.	IBC20-IGF 4	TITLE: <b>BERNER</b>
DATE	11JUNE14	MODEL IBC20 AIR CURTAIN
BY	S. Beil	INDIRECT GAS FIRED HEATER SYSTEM
REPLACES	-	
BY	-	BERNER INTERNATIONAL CORP. NEW CASTLE, PA.