



# INDUSTRIAL BELT DRIVE 20

## Ambient (Unheated) Air Curtain

### Data Sheet

For Mounting Heights To 20' (environmental separation) and 18' (insect control)

#### STANDARD CONSTRUCTION

- Single speed T.E.F.C. motor - belt drive
- Gray powder coated exterior (Optional: Custom Color or Stainless)
- Split cabinet construction for fan assembly removal
- Removable access panels
- Top Mounting only
- Front air intake (Optional: top)
- High efficiency Pro-V Nozzle
- Motor location top right (Optional: top left, front left or front right)

**5 Year  
Limited  
Warranty**



MODEL	Nozzle Width (in)	Max Vel. at Nozzle (fpm)	Avg. Outlet Vel. (fpm)	Air Volume (cfm)	Outlet Vel. Uniformity	Power Rating (kW)	Motor @ HP	Net Wt. (lbs)
IBC20-1060A	60.00	6,580	3,870	6,854	89%	4.70	1 @ 5	445
IBC20-1072A	72.00	6,549	3,852	8,186	89%	4.90	1 @ 5	496
IBC20-1084A	84.00	6,076	3,574	8,861	87%	4.90	1 @ 5	547
IBC20-1096A	96.00	6,900	4,059	11,500	92%	6.80	1 @ 7½	673
IBC20-1108A	108.00	6,747	3,969	12,650	90%	6.90	1 @ 7½	759
IBC20-1120A	117.00	7,494	4,523	15,612	88%	8.70	1 @ 10	834
IBC20-1132A	132.00	7,017	4,127	16,080	87%	8.90	1 @ 10	886
IBC20-1144A	144.00	7,640	4,381	19,100	87%	11.70	1 @ 15	932
IBC20-1156A	156.00	7,405	4,356	20,055	86%	11.90	1 @ 15	1,043
IBC20-1168A	168.00	7,783	4,323	22,700	90%	12.80	1 @ 15	1,134
IBC20-1180A	180.00	7,300	4,294	22,814	91%	12.90	1 @ 15	1,185
IBC20-1192A	192.00	6,900	4,059	23,000	92%	13.60	1 @ 15	1,311

#### NOTES:

1. Operation at 50 Hz will generate approximately a 17% reduction in air performance.
2. Performance data based on AMCA licensed data from unheated IDC20 units.
3. Vertically mounted Industrial Belt Drive air curtains not available.

See sheet EP-450 for amp draws/total load requirements.

### MODEL NUMBER CONFIGURATION

## IBC20-1 060 A D-F T-SS

Series	# of Motors	Opening Width	Heat	Voltage	Intake	Motor Location	Opt. Cabinet Finish
IBC20	1	060" - 192"	A=Ambient	D=208/3/60 E=240/3/60 H=480/3/60 I=600/3/60 T=380/3/50	T=Top F=Front	T=Top F=Front	SS=Stainless Steel CC=Custom Color

VELOCITY PROFILE: Model IBC20-1060A			
Distance from Nozzle (ft)	3	10	17
Core Velocity (fpm)	3027	1967	1500

Sound level measured 10' (3m) from the unit in free field:  
5, 7½, 10 & 15 hp motor(s):  
73 dBA, 75 dBA, 76 dBA & 78 dBA

Berner reserves the right to alter specifications without prior notice.



# INDUSTRIAL BELT DRIVE 20

Ambient (Unheated) Air Curtain  
Electrical Performance Sheet

		208/3/60 (voltage code D) TOTAL MOTOR AMP DRAW			240/3/60 (voltage code E) TOTAL MOTOR AMP DRAW			480/3/60 (voltage code H) TOTAL MOTOR AMP DRAW		
MODEL	Qty @ HP	# CKTS	AMPS PER CIRCUIT	BREAKER RATING PER CIRCUIT	# CKTS	AMPS PER CIRCUIT	BREAKER RATING PER CIRCUIT	# CKTS	AMPS PER CIRCUIT	BREAKER RATING PER CIRCUIT
IBC20-1060A IBC20-1072A IBC20-1084A	1 @ 5	1	13.6	30	1	12.3	30	1	6.2	15
IBC20-1096A IBC20-1108A	1 @ 7.5	1	20.0	50	1	18.2	45	1	9.1	25
IBC20-1120A IBC20-1132A	1 @ 10	1	26.5	60	1	23.9	60	1	12.0	30
IBC20-1144A IBC20-1156A IBC20-1168A IBC20-1180A IBC20-1192A	1 @ 15	1	40.0	100	1	37.0	100	1	18.4	45

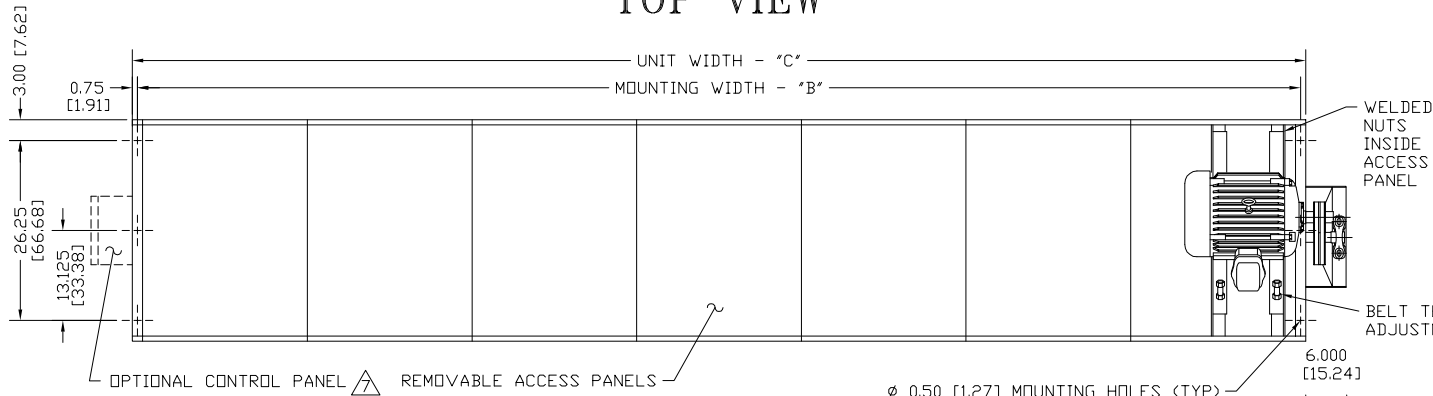
		600/3/60 (voltage code I) TOTAL MOTOR AMP DRAW			380/3/50 (voltage code T) TOTAL MOTOR AMP DRAW		
MODEL	Qty @ HP	# CKTS	AMPS PER CIRCUIT	BREAKER RATING PER CIRCUIT	# CKTS	AMPS PER CIRCUIT	BREAKER RATING PER CIRCUIT
IBC20-1060A IBC20-1072A IBC20-1084A	1 @ 5	1	5.1	15	1	6.2	15
IBC20-1096A IBC20-1108A	1 @ 7.5	1	7.2	15	1	9.1	25
IBC20-1120A IBC20-1132A	1 @ 10	1	9.6	20	1	12.0	30
IBC20-1144A IBC20-1156A IBC20-1168A IBC20-1180A IBC20-1192A	1 @ 15	1	14.6	30	1	18.4	45

Berner reserves the right to alter specifications without prior notice.

[www.berner.com](http://www.berner.com) **Berner International** 800.245-4455  
111 Progress Ave. / New Castle / PA / 16101 / USA

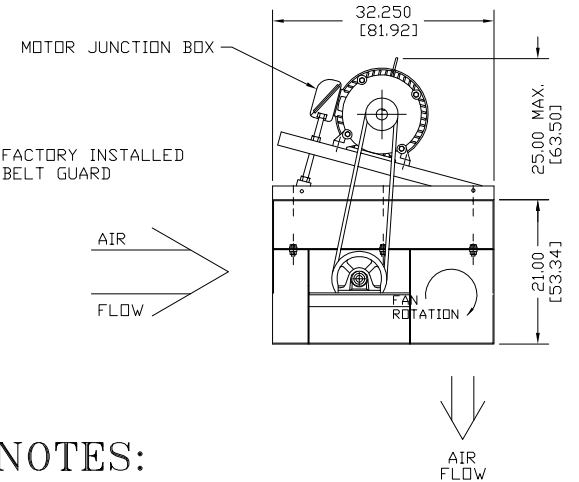
EP-450  
December, 2018

# TOP VIEW

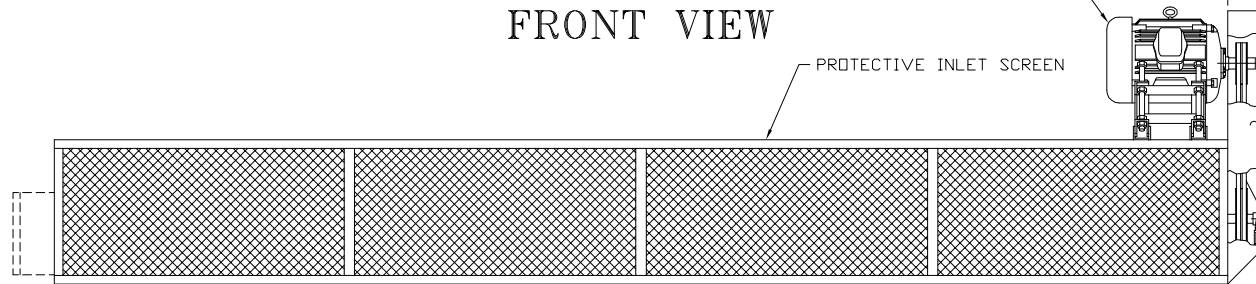


# IBC20 AMBIENT SYSTEM FRONT INTAKE

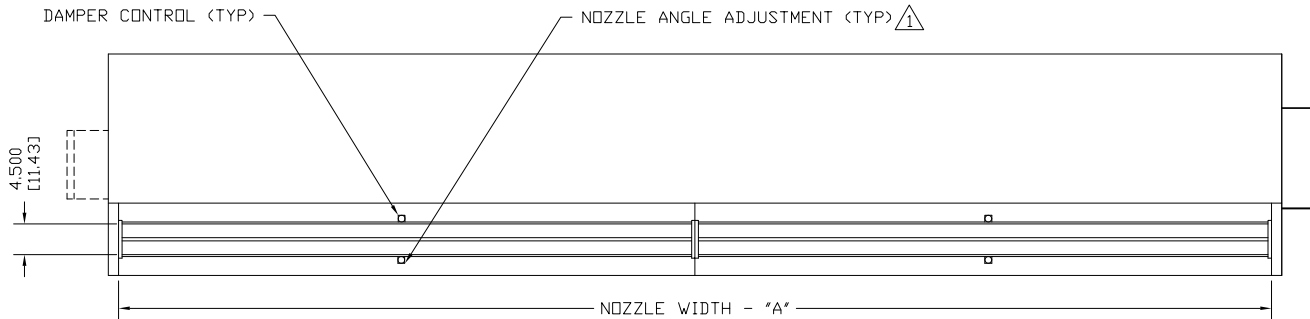
## END VIEW (BELT GUARD REMOVED)



# FRONT VIEW



# BOTTOM VIEW



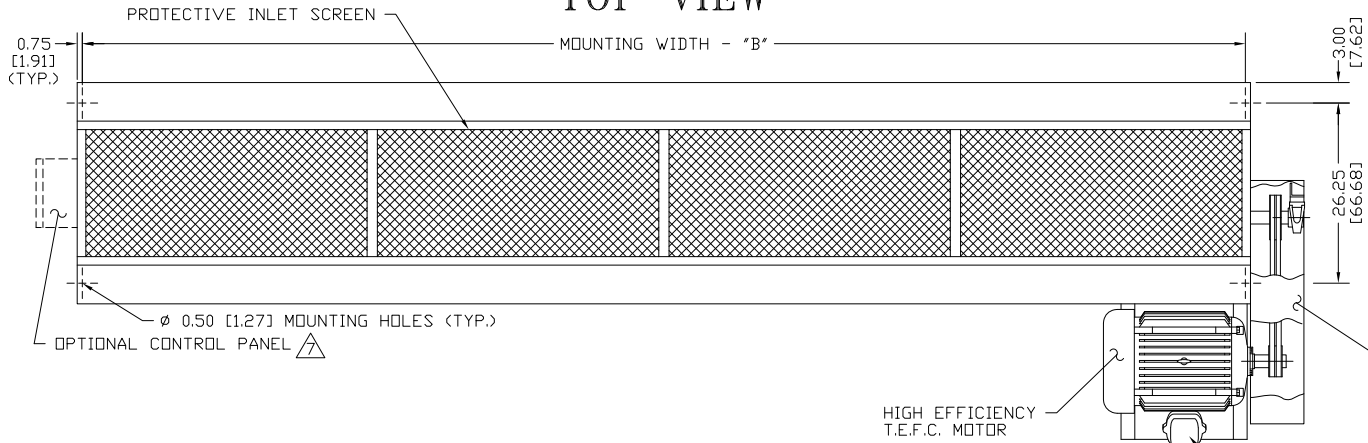
## NOTES:

- $\triangle 1$  AIR CURTAIN MUST BE INSTALLED SO AIR STREAM IS NOT OBSTRUCTED WHEN DEFLECTED 20° TO EITHER SIDE OF  $\phi$ .
- $\triangle 2$  ELECTRICAL CONNECTIONS TO BE FLEXIBLE.
- $\triangle 3$  FIELD VERIFY DIMENSIONS.
- $\triangle 4$  ANCHORS TO SUPPORTING STRUCTURE BY OTHERS.
- $\triangle 5$  ADEQUACY OF SUPPORTING STRUCTURE IS TO BE VERIFIED BY A PROFESSIONAL STRUCTURAL ENGINEER.
- $\triangle 6$  LETTER "A" IN MODEL NUMBER DESIGNATES, AN AMBIENT UNIT. "F" DESIGNATES FRONT INTAKE, "T" IS TOP MOTOR.
- $\triangle 7$  OPTIONAL CONTROL PANEL AVAILABLE: LEFT HAND MOUNT, RIGHT HAND MOUNT, OR REMOTE. PLEASE SPECIFY.
- $\triangle 8$  DIMENSIONS IN INCHES [CENTIMETERS].

MODEL $\triangle$	NOZZLE WIDTH "A"	MOUNTING WIDTH "B"	UNIT WIDTH "C"
IBC20-1060A-FT	60.00 [152.40]	61.50 [156.21]	63.00 [160.02]
IBC20-1072A-FT	72.00 [182.88]	73.50 [186.69]	75.00 [190.50]
IBC20-1084A-FT	84.00 [213.36]	85.50 [217.17]	87.00 [220.98]
IBC20-1096A-FT	96.00 [243.84]	97.50 [247.65]	99.00 [251.46]
IBC20-1108A-FT	108.00 [274.32]	109.50 [278.13]	111.00 [281.94]
IBC20-1120A-FT	117.00 [297.18]	118.50 [300.99]	120.00 [304.80]
IBC20-1132A-FT	132.00 [335.28]	133.50 [339.09]	135.00 [342.90]
IBC20-1144A-FT	144.00 [365.76]	145.50 [369.57]	147.00 [373.38]
IBC20-1156A-FT	156.00 [396.24]	157.50 [400.05]	159.00 [403.86]
IBC20-1168A-FT	168.00 [426.72]	169.50 [430.53]	171.00 [434.34]
IBC20-1180A-FT	180.00 [457.20]	181.50 [461.01]	183.00 [464.82]
IBC20-1192A-FT	192.00 [487.68]	193.50 [491.49]	195.00 [495.30]

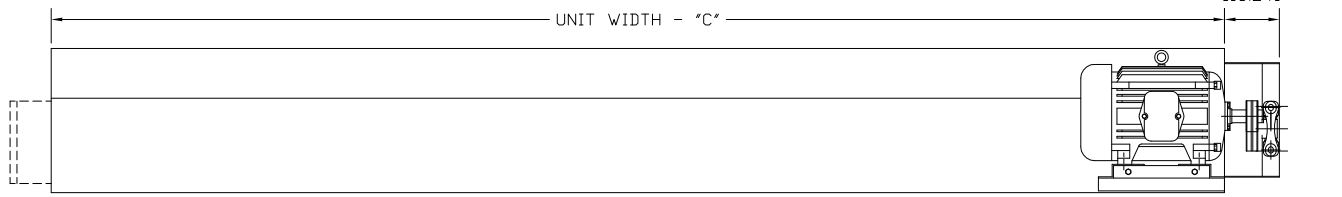
PROJECT		TITLE: <b>BERNER</b>
LOCATION		MODEL IBC20 AIR CURTAIN
ARCHITECT		FRONT INTAKE AMBIENT SYSTEM
ENGINEER		
DWG. NO.	IBC20-AMB1	
DATE	11JUNE14	
BY	S. Beil	
REPLACES	-	
BY	-	BERNER INTERNATIONAL CORP. NEW CASTLE, PA.

# TOP VIEW

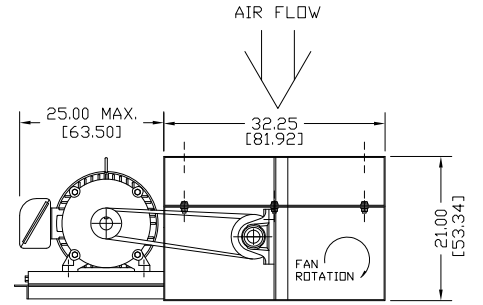


# IBC20 AMBIENT SYSTEM TOP INTAKE

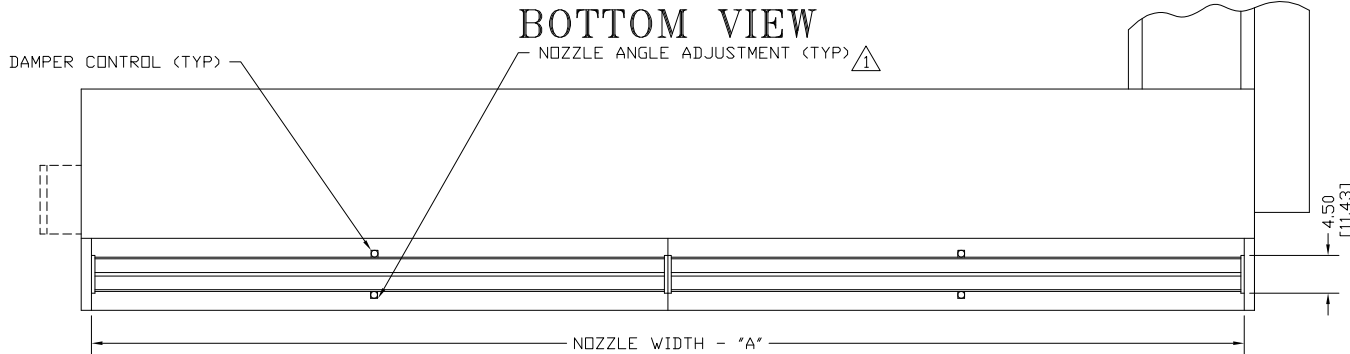
# FRONT VIEW



# END VIEW (BELT GUARD REMOVED)



# BOTTOM VIEW



## NOTES:

- ① AIR CURTAIN MUST BE INSTALLED SO AIR STREAM IS NOT OBSTRUCTED WHEN DEFLECTED 20° TO EITHER SIDE OF  $\phi$ .
- ② ELECTRICAL CONNECTIONS TO BE FLEXIBLE.
- ③ FIELD VERIFY DIMENSIONS.
- ④ ANCHORS TO SUPPORTING STRUCTURE BY OTHERS.
- ⑤ ADEQUACY OF SUPPORTING STRUCTURE IS TO BE VERIFIED BY A PROFESSIONAL STRUCTURAL ENGINEER.
- ⑥ LETTER 'A' IN MODEL NUMBER DESIGNATES, AN AMBIENT UNIT. 'T' DESIGNATES TOP INTAKE, 'F' IS FRONT MOTOR.
- ⑦ OPTIONAL CONTROL PANEL AVAILABLE: LEFT HAND MOUNT, RIGHT HAND MOUNT, OR REMOTE. PLEASE SPECIFY.
- ⑧ DIMENSIONS IN INCHES [CENTIMETERS].

MODEL	NOZZLE WIDTH "A"	MOUNTING WIDTH "B"	UNIT WIDTH "C"
IBC20-1060A-TF	60.00 [152.40]	61.50 [156.21]	63.00 [160.02]
IBC20-1072A-TF	72.00 [182.88]	73.50 [186.69]	75.00 [190.50]
IBC20-1084A-TF	84.00 [213.36]	85.50 [217.17]	87.00 [220.98]
IBC20-1096A-TF	96.00 [243.84]	97.50 [247.65]	99.00 [251.46]
IBC20-1108A-TF	108.00 [274.32]	109.50 [278.13]	111.00 [281.94]
IBC20-1120A-TF	117.00 [297.18]	118.50 [300.99]	120.00 [304.80]
IBC20-1132A-TF	132.00 [335.28]	133.50 [339.09]	135.00 [342.90]
IBC20-1144A-TF	144.00 [365.76]	145.50 [369.57]	147.00 [373.38]
IBC20-1156A-TF	156.00 [396.24]	157.50 [400.05]	159.00 [403.86]
IBC20-1168A-TF	168.00 [426.72]	169.50 [430.53]	171.00 [434.34]
IBC20-1180A-TF	180.00 [457.20]	181.50 [461.01]	183.00 [464.82]
IBC20-1192A-TF	192.00 [487.68]	193.50 [491.49]	195.00 [495.30]

PROJECT		
LOCATION		
ARCHITECT		
ENGINEER		REV.
DWG. NO.	IBC20-AMB2	TITLE: <b>BERNER</b>
DATE	09JAN15	MODEL IBC20 AIR CURTAIN
BY	S. Beil	TOP INTAKE AMBIENT SYSTEM
REPLACES	-	BERNER INTERNATIONAL CORP.
BY	-	NEW CASTLE, PA.