



INDUSTRIAL BELT DRIVE 16

Positive Indirect Gas Heated Air Curtain

Data Sheet

For Door Heights To 16' (environmental separation)

STANDARD CONSTRUCTION

- Single speed T.E.F.C. motor - belt drive
- Gray powder coated exterior (Optional: Custom Color or Stainless)
- Split cabinet construction for fan assembly removal
- Removable access panels
- Top Mounting only
- Front air intake only
- Motor location top right (Optional: top left)

- Factory mounted duct transition with bottom access panels
- Field installed ETL (US and Canada) & AHRI Certified indirect gas heater(s):
 - Aluminized steel heat exchanger (Optional: Stainless)
 - Steel cabinet with beige finish
 - Spark ignited pilot
 - Power venter
 - Separate 120V power supply required (Optional: transformer for single point connection)

**2 Year
Limited
Warranty**



MODEL	Nozzle Width (in)	Max Vel. at Nozzle (fpm)	Avg. Outlet Vel. (fpm)	Air Volume (cfm)	Outlet Vel. Uniformity	Power Rating (kW)	Motor @ HP	Heater(s) @ Input (MBH)	Total Heater Output (MBH)	Air Temp. Rise (°F)	Net Wt. Air Curtain (lbs)	Net Wt. Duct Trans. (lbs)	Net Wt. Heater (lbs)
IBC16-1060G	60.00	5,145	3,302	5,359	85%	2.80	1 @ 3	1 @ 250.0	207.5	36°	425	109	214
IBC16-1072G	72.00	5,005	2,944	6,256	91%	2.90	1 @ 3	1 @ 300.0	249.0	37°	471	133	311
IBC16-1084G	84.00	4,644	2,732	6,772	89%	3.00	1 @ 3	1 @ 300.0	249.0	34°	517	148	311
IBC16-1096G	96.00	5,352	3,148	8,920	87%	4.10	1 @ 5	1 @ 400.0	332.0	34°	623	163	339
IBC16-1108G	108.00	5,236	3,080	9,817	86%	4.20	1 @ 5	2 @ 250.0	415.0	39°	749	171	2 @ 214
IBC16-1120G	117.00	6,012	3,627	12,526	87%	4.80	1 @ 7.5	2 @ 300.0	498.0	37°	789	177	2 @ 311
IBC16-1132G	132.00	5,602	3,296	12,839	86%	4.90	1 @ 7.5	2 @ 300.0	498.0	36°	846	196	2 @ 311
IBC16-1144G	144.00	5,225	3,074	13,062	85%	5.40	1 @ 7.5	2 @ 300.0	498.0	35°	892	211	2 @ 311
IBC16-1156G	156.00	4,943	2,908	13,388	84%	5.50	1 @ 7.5	2 @ 350.0	581.0	40°	948	286	2 @ 325
IBC16-1168G	168.00	5,203	3,061	15,176	89%	7.00	1 @ 7.5	2 @ 350.0	581.0	35°	1,059	301	2 @ 325
IBC16-1180G	180.00	5,143	3,026	16,073	87%	7.10	1 @ 7.5	2 @ 400.0	664.0	38°	1,130	316	2 @ 339
IBC16-1192G	192.00	5,352	3,148	17,840	87%	8.20	1 @ 10	2 @ 400.0	664.0	34°	1,201	330	2 @ 339

NOTES:

1. Operation at 50 Hz will generate approximately a 17% reduction in performance.
2. Performance data based on AMCA licensed data from unheated IDC16 units.
3. Maximum leaving air temperature shall not exceed 120°F.
4. Duct transition is factory mounted to air curtain and requires individual support.
5. Gas heater(s) shall not be directly connected to transition and require individual support.
6. Maximum gas supply pressure: 1/2 psi, 8 ounces, or 14 inches water column.
7. Vertically mounted Industrial Belt Drive air curtains not available.

See sheet EP-438 for amp draws/total load requirements.

MODEL NUMBER CONFIGURATION

IBC16-1 060 G D-F T-SS

Series	# of Motors	Opening Width	Heat	Voltage	Intake	Motor Location	Opt. Cabinet Finish
IBC16	1	060" - 192"	G=Indirect Gas Heated	D=208/3/60 E=240/3/60 H=480/3/60 I=600/3/60 T=380/3/50	F=Front	T=Top	SS=Stainless Steel CC=Custom Color

Sound level measured 10' (3m) from the unit in free field:
3, 5, 7½ & 10 hp motor(s):
68 dBA, 70 dBA, 72 dBA & 73 dBA

Berner reserves the right to alter specifications without prior notice.

www.berner.com Berner International 800.245.4455
111 Progress Ave. / New Castle / PA / 16101 / USA

DS-438
Februaury, 2020



INDUSTRIAL BELT DRIVE 16

**Positive Indirect Gas Heated Air Curtain
Electrical Performance Sheet**

208/3/60 (voltage code D)												
TOTAL MOTOR AMP DRAW												
					MULTIPLE CKT - MOTOR PANEL & HEATER				SINGLE CKT - MOTOR PANEL & XFMR FOR HEATER			
MODEL	HEATER MBH	Temp Rise °F	Qty @ HP	# CKTS	AMPS PER CIRCUIT		BREAKER RATING PER CIRCUIT		# CKTS	XFMR KVA	AMPS PER CIRCUIT (including XFMR)	BREAKER RATING PER CIRCUIT
					MOTOR 208V CKT	HEATER 120V CKT	MOTOR 208V CKT	HEATER 120V CKT				
IBC16-1060G	1 @ 250	36	1 @ 3	2	8.4	8.0	15	15	1	1	13.2	20
IBC16-1072G	1 @ 300	37	1 @ 3	2	8.4	11.6	15	15	1	2	18.0	25
IBC16-1084G	1 @ 300	34	1 @ 3	2	8.4	11.6	15	15	1	2	18.0	25
IBC16-1096G	1 @ 400	34	1 @ 5	2	13.6	13.8	30	20	1	2	23.2	30
IBC16-1108G	2 @ 250	39	1 @ 5	3	13.6	8.0/8.0	30	15/15	1	2	23.2	30
IBC16-1120G	2 @ 300	37	1 @ 7.5	3	20.0	11.6/11.6	50	15/15	1	3	34.4	50
IBC16-1132G	2 @ 300	36	1 @ 7.5	3	20.0	11.6/11.6	50	15/15	1	3	34.4	50
IBC16-1144G	2 @ 300	35	1 @ 7.5	3	20.0	11.6/11.6	50	15/15	1	3	34.4	50
IBC16-1156G	2 @ 350	40	1 @ 7.5	3	20.0	13.8/13.8	50	20/20	1	5	44.0	60
IBC16-1168G	2 @ 350	35	1 @ 7.5	3	20.0	13.8/13.8	50	20/20	1	5	44.0	60
IBC16-1180G	2 @ 400	38	1 @ 7.5	3	20.0	13.8/13.8	50	20/20	1	5	44.0	60
IBC16-1192G	2 @ 400	34	1 @ 10	3	26.5	13.8/13.8	60	20/20	1	5	50.5	70



INDUSTRIAL BELT DRIVE 16

Positive Indirect Gas Heated Air Curtain
Electrical Performance Sheet

240/3/60 (voltage code E)												
TOTAL MOTOR AMP DRAW												
MODEL	HEATER MBH	Temp Rise °F	Qty @ HP	# CKTS	MULTIPLE CKT - MOTOR PANEL & HEATER				SINGLE CKT - MOTOR PANEL & XFMR FOR HEATER			
					AMPS PER CIRCUIT		BREAKER RATING PER CIRCUIT		# CKTS	XFMR KVA	AMPS PER CIRCUIT (including XFMR)	BREAKER RATING PER CIRCUIT
					MOTOR 240V CKT	HEATER 120V CKT	MOTOR 240V CKT	HEATER 120V CKT				
IBC16-1060G	1 @ 250	36	1 @ 3	2	7.8	8.0	15	15	1	1	12.0	20
IBC16-1072G	1 @ 300	37	1 @ 3	2	7.8	11.6	15	15	1	2	16.1	25
IBC16-1084G	1 @ 300	34	1 @ 3	2	7.8	11.6	15	15	1	2	16.1	25
IBC16-1096G	1 @ 400	34	1 @ 5	2	12.3	13.8	30	20	1	2	20.6	30
IBC16-1108G	2 @ 250	39	1 @ 5	3	12.3	8.0/8.0	30	15/15	1	2	20.6	30
IBC16-1120G	2 @ 300	37	1 @ 7.5	3	18.2	11.6/11.6	45	15/15	1	3	30.7	45
IBC16-1132G	2 @ 300	36	1 @ 7.5	3	18.2	11.6/11.6	45	15/15	1	3	30.7	45
IBC16-1144G	2 @ 300	35	1 @ 7.5	3	18.2	11.6/11.6	45	15/15	1	3	30.7	45
IBC16-1156G	2 @ 350	40	1 @ 7.5	3	18.2	13.8/13.8	45	20/20	1	5	39.0	50
IBC16-1168G	2 @ 350	35	1 @ 7.5	3	18.2	13.8/13.8	45	20/20	1	5	39.0	50
IBC16-1180G	2 @ 400	38	1 @ 7.5	3	18.2	13.8/13.8	45	20/20	1	5	39.0	50
IBC16-1192G	2 @ 400	34	1 @ 10	3	23.9	13.8/13.8	60	20/20	1	5	44.7	60



INDUSTRIAL BELT DRIVE 16

**Positive Indirect Gas Heated Air Curtain
Electrical Performance Sheet**

					480/3/60 (voltage code H) TOTAL MOTOR AMP DRAW							
					MULTIPLE CKT - MOTOR PANEL & HEATER				SINGLE CKT - MOTOR PANEL & XFMR FOR HEATER			
MODEL	HEATER MBH	Temp Rise °F	Qty @ HP	# CKTS	AMPS PER CIRCUIT		BREAKER RATING PER CIRCUIT		# CKTS	XFMR KVA	AMPS PER CIRCUIT (including XFMR)	BREAKER RATING PER CIRCUIT
					MOTOR 480V CKT	HEATER 120V CKT	MOTOR 480V CKT	HEATER 120V CKT				
IBC16-1060G	1 @ 250	36	1 @ 3	2	3.9	8.0	15	15	1	1	6.0	15
IBC16-1072G	1 @ 300	37	1 @ 3	2	3.9	11.6	15	15	1	2	8.1	15
IBC16-1084G	1 @ 300	34	1 @ 3	2	3.9	11.6	15	15	1	2	8.1	15
IBC16-1096G	1 @ 400	34	1 @ 5	2	6.2	13.8	15	20	1	2	10.4	20
IBC16-1108G	2 @ 250	39	1 @ 5	3	6.2	8.0/8.0	15	15/15	1	2	10.4	20
IBC16-1120G	2 @ 300	37	1 @ 7.5	3	9.1	11.6/11.6	25	15/15	1	3	15.4	25
IBC16-1132G	2 @ 300	36	1 @ 7.5	3	9.1	11.6/11.6	25	15/15	1	3	15.4	25
IBC16-1144G	2 @ 300	35	1 @ 7.5	3	9.1	11.6/11.6	25	15/15	1	3	15.4	25
IBC16-1156G	2 @ 350	40	1 @ 7.5	3	9.1	13.8/13.8	25	20/20	1	5	19.5	25
IBC16-1168G	2 @ 350	35	1 @ 7.5	3	9.1	13.8/13.8	25	20/20	1	5	19.5	25
IBC16-1180G	2 @ 400	38	1 @ 7.5	3	9.1	13.8/13.8	25	20/20	1	5	19.5	25
IBC16-1192G	2 @ 400	34	1 @ 10	3	12.0	13.8/13.8	30	20/20	1	5	22.4	30



INDUSTRIAL BELT DRIVE 16

**Positive Indirect Gas Heated Air Curtain
Electrical Performance Sheet**

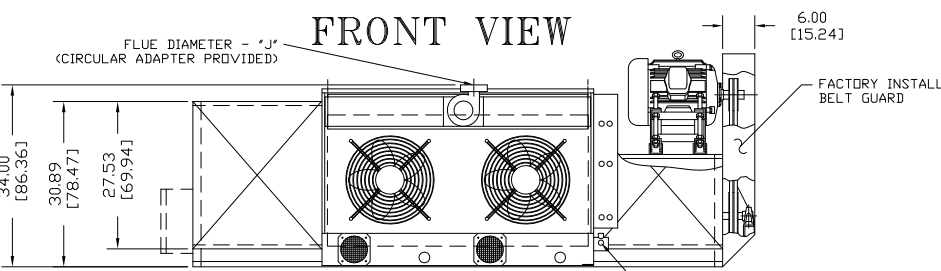
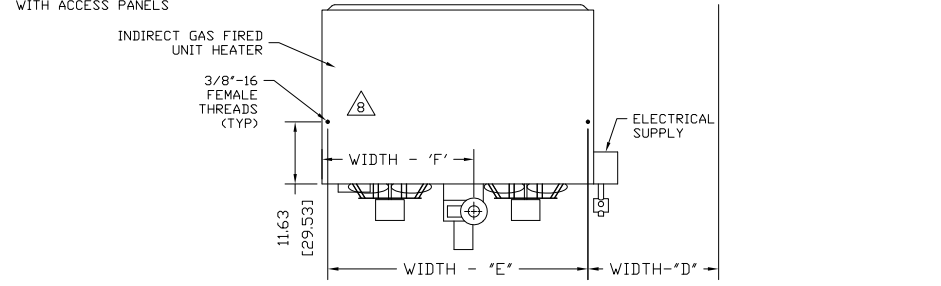
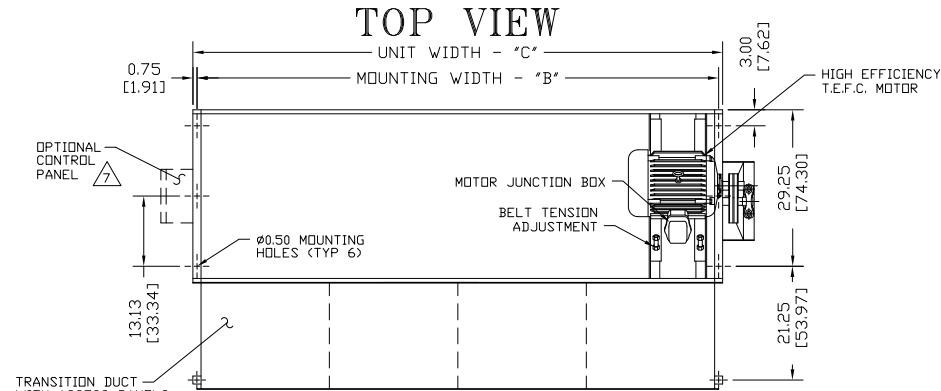
					600/3/60 (voltage code I) TOTAL MOTOR AMP DRAW							
					MULTIPLE CKT - MOTOR PANEL & HEATER				SINGLE CKT - MOTOR PANEL & XFMR FOR HEATER			
MODEL	HEATER MBH	Temp Rise °F	Qty @ HP	# CKTS	AMPS PER CIRCUIT		BREAKER RATING PER CIRCUIT		# CKTS	XFMR KVA	AMPS PER CIRCUIT (including XFMR)	BREAKER RATING PER CIRCUIT
					MOTOR 600V CKT	HEATER 120V CKT	MOTOR 600V CKT	HEATER 120V CKT				
IBC16-1060G	1 @ 250	36	1 @ 3	2	3.2	8.0	15	15	1	1	4.9	15
IBC16-1072G	1 @ 300	37	1 @ 3	2	3.2	11.6	15	15	1	2	6.5	15
IBC16-1084G	1 @ 300	34	1 @ 3	2	3.2	11.6	15	15	1	2	6.5	15
IBC16-1096G	1 @ 400	34	1 @ 5	2	5.1	13.8	15	20	1	2	8.4	15
IBC16-1108G	2 @ 250	39	1 @ 5	3	5.1	8.0/8.0	15	15/15	1	2	8.4	15
IBC16-1120G	2 @ 300	37	1 @ 7.5	3	7.2	11.6/11.6	15	15/15	1	3	12.2	20
IBC16-1132G	2 @ 300	36	1 @ 7.5	3	7.2	11.6/11.6	15	15/15	1	3	12.2	20
IBC16-1144G	2 @ 300	35	1 @ 7.5	3	7.2	11.6/11.6	15	15/15	1	3	12.2	20
IBC16-1156G	2 @ 350	40	1 @ 7.5	3	7.2	13.8/13.8	15	20/20	1	5	15.5	20
IBC16-1168G	2 @ 350	35	1 @ 7.5	3	7.2	13.8/13.8	15	20/20	1	5	15.5	20
IBC16-1180G	2 @ 400	38	1 @ 7.5	3	7.2	13.8/13.8	15	20/20	1	5	15.5	20
IBC16-1192G	2 @ 400	34	1 @ 10	3	9.6	13.8/13.8	20	20/20	1	5	17.9	25

				380/3/50 (voltage code T) TOTAL MOTOR AMP DRAW								
				MULTIPLE CKT - MOTOR PANEL & HEATER				SINGLE CKT - MOTOR PANEL & XFMR FOR HEATER				
MODEL	HEATER MBH	Temp Rise °F	Qty @ HP	# CKTS	AMPS PER CIRCUIT		BREAKER RATING PER CIRCUIT		# CKTS	XFMR KVA	AMPS PER CIRCUIT (including XFMR)	BREAKER RATING PER CIRCUIT
					MOTOR 380V CKT	HEATER 120V CKT	MOTOR 380V CKT	HEATER 120V CKT				
IBC16-1060G	1 @ 250	36	1 @ 3	2	3.9	8.0	15	15	1	1	6.5	15
IBC16-1072G	1 @ 300	37	1 @ 3	2	3.9	11.6	15	15	1	2	9.2	15
IBC16-1084G	1 @ 300	34	1 @ 3	2	3.9	11.6	15	15	1	2	9.2	15
IBC16-1096G	1 @ 400	34	1 @ 5	2	6.2	13.8	15	20	1	2	11.5	15
IBC16-1108G	2 @ 250	39	1 @ 5	3	6.2	8.0/8.0	15	15/15	1	2	11.5	15
IBC16-1120G	2 @ 300	37	1 @ 7.5	3	9.1	11.6/11.6	25	15/15	1	3	17.0	25
IBC16-1132G	2 @ 300	36	1 @ 7.5	3	9.1	11.6/11.6	25	15/15	1	3	17.0	25
IBC16-1144G	2 @ 300	35	1 @ 7.5	3	9.1	11.6/11.6	25	15/15	1	3	17.0	25
IBC16-1156G	2 @ 350	40	1 @ 7.5	3	9.1	13.8/13.8	25	20/20	1	5	22.3	30
IBC16-1168G	2 @ 350	35	1 @ 7.5	3	9.1	13.8/13.8	25	20/20	1	5	22.3	30
IBC16-1180G	2 @ 400	38	1 @ 7.5	3	9.1	13.8/13.8	25	20/20	1	5	22.3	30
IBC16-1192G	2 @ 400	34	1 @ 10	3	12.0	13.8/13.8	30	20/20	1	5	25.2	35

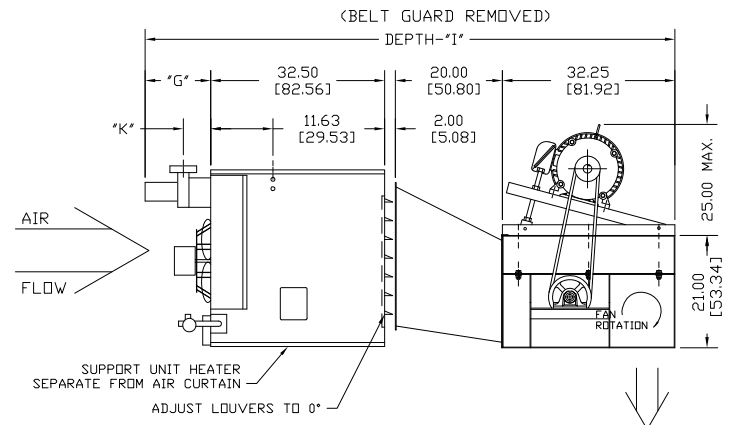
IBC16

INDIRECT GAS HEATED ONE HEATER SYSTEM

- NOTES:**
- 1 AIR CURTAIN MUST BE INSTALLED SO AIR STREAM IS NOT OBSTRUCTED WHEN DEFLECTED 20° TO EITHER SIDE OF CURTAIN. ELECTRICAL CONNECTIONS TO BE FLEXIBLE.
 - 2 FIELD VERIFY DIMENSIONS.
 - 3 ANCHORS TO SUPPORTING STRUCTURE BY OTHERS.
 - 4 ADEQUACY OF SUPPORTING STRUCTURE IS TO BE VERIFIED BY A PROFESSIONAL STRUCTURAL ENGINEER.
 - 5 LETTER 'G' IN MODEL NUMBER DESIGNATES POSITIVE INDIRECT GAS HEATER UNIT.
 - 6 STANDARD CONTROL PANEL LEFT HAND MOUNT, OPTIONAL RIGHT HAND MOUNT, OR REMOTE. PLEASE SPECIFY.
 - 7 'XF' SERIES 300-450 MBH HEATERS HAVE TWO FANS & TWO MOUNTING POINTS.
 - 8 SUPPLY PRESSURES HIGHER THAN 0.50 POUND REQUIRE INSTALLATION OF AN ADDITIONAL SERVICE REGULATOR EXTERNAL TO THE UNIT.
 - 9 DIMENSIONS IN INCHES (CENTIMETERS).
 - 10



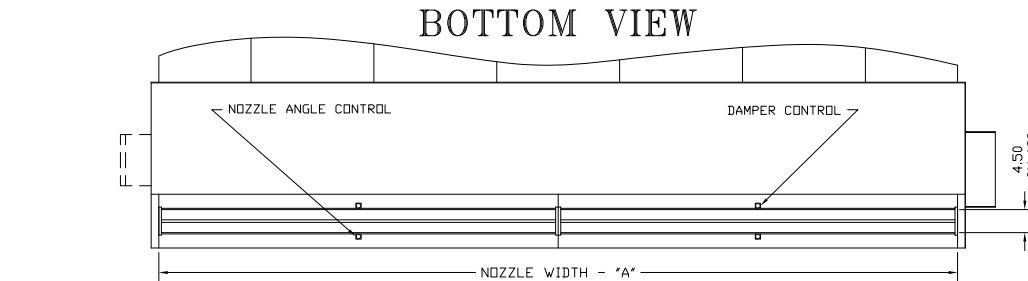
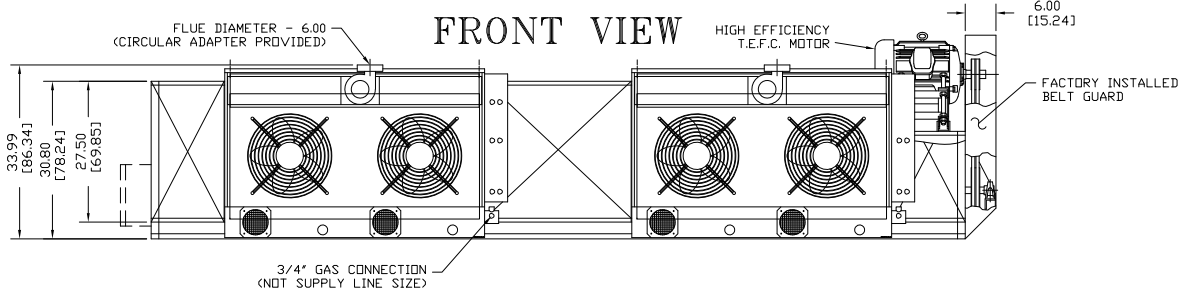
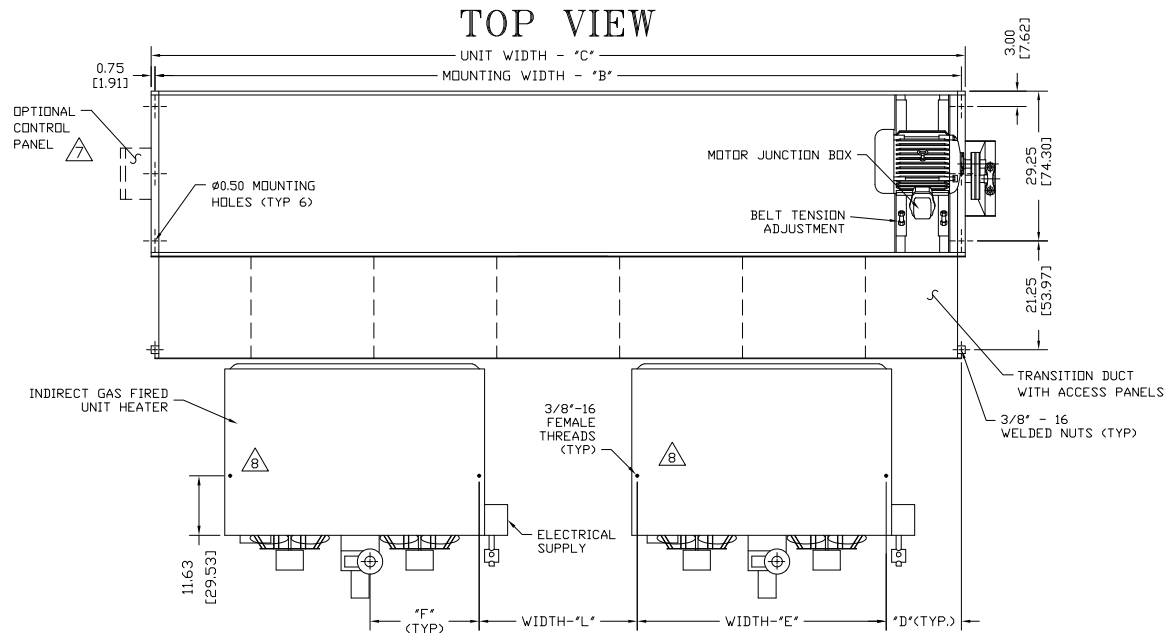
END VIEW



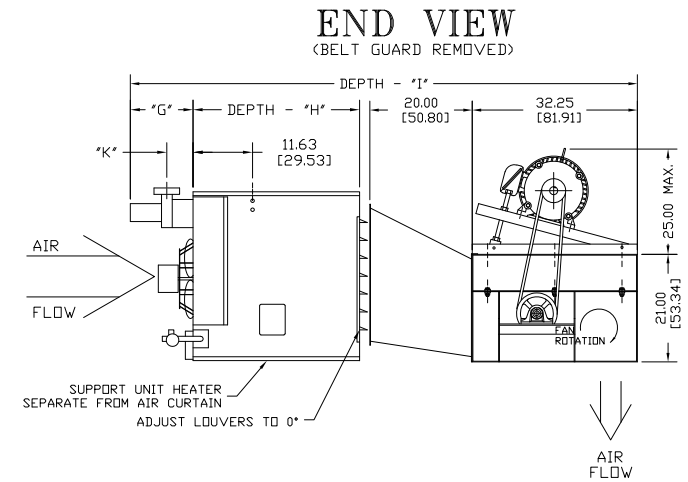
CAUTION:
HEATER IS EQUIPPED FOR A MAXIMUM GAS SUPPLY PRESSURE OF 1/2 POUND, 8 OUNCES, OR 14 INCHES WATER COLUMN.

MODEL	NOZZLE WIDTH 'A'	MOUNTING WIDTH 'B'	UNIT WIDTH 'C'	HEATER(S) @ MBTU INPUT	WIDTH 'D'	WIDTH 'E'	WIDTH 'F'	DEPTH 'G'	DEPTH 'H'	DEPTH 'I'	FLUE 'J'	DEPTH 'K'	WIDTH 'L'	PROJECT	LOCATION	ARCHITECT	ENGINEER
														DWG. NO.	DATE	BY	TITLE
IBC16-1060G-FT	60.00 [152.40]	61.50 [156.21]	63.00 [160.02]	1 @ 250	15.44 [39.22]	30.63 [77.80]	19.38 [49.23]	11.00 [27.94]	32.50 [82.55]	97.75 [248.28]	5.00 [12.70]	4.75 [12.06]	-	IBC16-1060G-FT			
IBC16-1072G-FT	72.00 [182.88]	73.50 [186.69]	75.00 [190.50]	1 @ 300	12.44 [31.60]	48.63 [123.52]	28.38 [72.09]	12.25 [31.12]	32.50 [82.55]	99.00 [251.46]	6.00 [15.24]	5.13 [13.02]	-	05MAR2020	A. Johnston	BERNER	
IBC16-1084G-FT	84.00 [213.36]	85.50 [217.17]	87.00 [220.98]	1 @ 300	18.44 [46.84]	48.63 [123.52]	28.38 [72.09]	12.25 [31.12]	32.50 [82.55]	99.00 [251.46]	6.00 [15.24]	5.13 [13.02]	-			MODEL IBC16 AIR CURTAIN	
IBC16-1096G-FT	96.00 [243.84]	97.50 [247.65]	99.00 [251.46]	1 @ 400	24.44 [62.08]	48.63 [123.52]	28.38 [72.09]	12.25 [31.12]	32.50 [82.55]	99.00 [251.46]	6.00 [15.24]	5.13 [13.02]	-			INDIRECT GAS FIRED - ONE HEATER SYSTEM	
														BERNER INTERNATIONAL CORP. NEW CASTLE, PA.			

IBC16 INDIRECT GAS HEATED TWO HEATER SYSTEM



- NOTES:**
- 1 AIR CURTAIN MUST BE INSTALLED SO AIR STREAM IS NOT OBSTRUCTED WHEN DEFLECTED 20° TO EITHER SIDE OF E.
 - 2 ELECTRICAL CONNECTIONS TO BE FLEXIBLE.
 - 3 FIELD VERIFY DIMENSIONS.
 - 4 ANCHORS TO SUPPORTING STRUCTURE BY OTHERS.
 - 5 ADEQUACY OF SUPPORTING STRUCTURE IS TO BE VERIFIED BY A PROFESSIONAL STRUCTURAL ENGINEER.
 - 6 LETTER 'G' IN MODEL NUMBER DESIGNATES POSITIVE INDIRECT GAS HEATER UNIT.
 - 7 STANDARD CONTROL PANEL LEFT HAND MOUNT, OPTIONAL RIGHT HAND MOUNT, OR REMOVE. PLEASE SPECIFY.
 - 8 *XF* SERIES 300-450 MBH HEATERS HAVE TWO FANS & TWO MOUNTING POINTS.
 - 9 SUPPLY PRESSURES HIGHER THAN 0.50 POUND REQUIRE INSTALLATION OF AN ADDITIONAL SERVICE REGULATOR EXTERNAL TO THE UNIT.
 - 10 DIMENSIONS IN INCHES (CENTIMETERS).



CAUTION:

HEATER IS EQUIPPED FOR A MAXIMUM GAS SUPPLY PRESSURE OF 1/2 POUND, 8 DUNCES, OR 14 INCHES WATER COLUMN.

MODEL	NOZZLE WIDTH 'A'	MOUNTING WIDTH 'B'	UNIT WIDTH 'C'	HEATER(S) @ MBTU INPUT	WIDTH 'D'	WIDTH 'E'	WIDTH 'F'	DEPTH 'G'	DEPTH 'H'	DEPTH 'I'	FLUE 'J'	DEPTH 'K'	WIDTH 'L'	PROJECT	LOCATION	ARCHITECT	ENGINEER	DWG. NO.	DATE	BY	REPLACES	REV.	A
IBC16-1108G-FT	108.0 [274.32]	109.50 [278.13]	111.00 [281.94]	2 @ 250	12.06 [30.63]	30.63 [77.81]	19.38 [49.21]	11.00 [27.94]	32.50 [82.55]	99.00 [251.46]	5.00 [12.70]	4.75 [12.06]	24.13 [61.29]					IBC16-IGF2-XF	15SEP2020	S. Beil	05MAR2020		
IBC16-1120G-FT	117.00 [297.18]	118.50 [300.99]	120.00 [304.80]	2 @ 300	5.31 [13.49]	48.63 [123.50]	28.38 [72.09]	12.25 [31.12]	32.50 [82.55]	99.00 [251.46]	6.00 [15.24]	5.13 [13.01]	10.63 [10.63]										
IBC16-1132G-FT	132.00 [335.28]	133.50 [339.09]	135.00 [342.90]	2 @ 300	9.06 [23.01]	48.63 [123.50]	28.38 [72.09]	12.25 [31.12]	32.50 [82.55]	99.00 [251.46]	6.00 [15.24]	5.13 [13.01]	18.13 [46.05]										
IBC16-1144G-FT	144.00 [365.76]	145.50 [369.57]	147.00 [373.38]	2 @ 300	12.06 [30.63]	48.63 [123.50]	28.38 [72.09]	12.25 [31.12]	32.50 [82.55]	99.00 [251.46]	6.00 [15.24]	5.13 [13.01]	24.13 [61.29]										
IBC16-1156G-FT	156.00 [396.24]	157.50 [400.05]	159.00 [403.86]	2 @ 350	15.06 [38.25]	48.63 [123.50]	28.38 [72.09]	12.25 [31.12]	32.50 [82.55]	99.00 [251.46]	6.00 [15.24]	5.13 [13.01]	30.13 [76.53]										
IBC16-1168G-FT	168.00 [426.72]	169.50 [430.53]	171.00 [434.34]	2 @ 350	18.06 [45.88]	48.63 [123.50]	28.38 [72.09]	12.25 [31.12]	32.50 [82.55]	99.00 [251.46]	6.00 [15.24]	5.13 [13.01]	36.13 [91.77]										
IBC16-1180G-FT	180.00 [457.20]	181.50 [461.01]	183.00 [464.82]	2 @ 400	21.06 [53.50]	48.63 [123.50]	28.38 [72.09]	12.25 [31.12]	32.50 [82.55]	99.00 [251.46]	6.00 [15.24]	5.13 [13.01]	42.13 [107.01]										
IBC16-1192G-FT	192.00 [487.68]	193.50 [491.49]	195.00 [495.30]	2 @ 400	24.06 [61.11]	48.63 [123.50]	28.38 [72.09]	12.25 [31.12]	32.50 [82.55]	99.00 [251.46]	6.00 [15.24]	5.13 [13.01]	48.13 [122.25]										

TITLE: **BERNER**
MODEL IBC16 AIR CURTAIN
INDIRECT GAS FIRED - TWO HEATER SYSTEM
BERNER INTERNATIONAL CORP.
NEW CASTLE, PA.