



INDUSTRIAL BELT DRIVE 16

Direct Gas Heated Air Curtain 40° Temp. Rise

Data Sheet

For Door Heights To 16' (environmental separation)

STANDARD CONSTRUCTION

- Single speed T.E.F.C. motor - belt drive
- Gray powder coated exterior (Optional: Custom Color or Stainless)
- Split cabinet construction for fan assembly removal
- Removable access panels
- Top Mounting only
- Front air intake (Optional: top)
- Motor location top right (Optional: top left, front left or front right)

- Factory mounted duct transition with bottom access panels
- Factory mounted modulating direct fired heater with FM/IRI gas train
 - Factory mounted wired heater control panel
 - Steel cabinet with gray finish
 - Spark ignited intermittent pilot

**2 Year
Limited
Warranty**



MODEL	Nozzle Width (in)	Max Vel. at Nozzle (fpm)	Avg. Outlet Vel. (fpm)	Air Volume (cfm)	Outlet Vel. Uniformity	Power Rating (kW)	Motor @ HP	Heater Output (MBH)	Gas Train Size	Max Air Temp. Rise (°F)	Net Wt. Air Curtain (lbs)	Net Wt. Duct Trans. (lbs)	Net Wt. Burner Box (lbs)
IBC16-1060D	60.00	5,145	3,302	5,359	85%	2.80	1 @ 3	232.7	3/4"	40°	425	82	220
IBC16-1072D	72.00	5,005	2,944	6,256	91%	2.90	1 @ 3	272.2	3/4"	40°	471	97	220
IBC16-1084D	84.00	4,644	2,732	6,772	89%	3.00	1 @ 3	293.9	3/4"	40°	517	112	220
IBC16-1096D	96.00	5,352	3,148	8,920	87%	4.10	1 @ 5	387.6	3/4"	40°	623	121	260
IBC16-1108D	108.00	5,236	3,080	9,817	86%	4.20	1 @ 5	426.0	3/4"	40°	749	136	260
IBC16-1120D	117.00	6,012	3,627	12,526	87%	4.80	1 @ 7.5	544.4	3/4"	40°	789	136	340
IBC16-1132D	132.00	5,602	3,296	12,839	86%	4.90	1 @ 7.5	557.2	3/4"	40°	846	154	340
IBC16-1144D	144.00	5,225	3,074	13,062	85%	5.40	1 @ 7.5	567.1	3/4"	40°	892	169	340
IBC16-1156D	156.00	4,943	2,908	13,388	84%	5.50	1 @ 7.5	581.9	3/4"	40°	948	178	380
IBC16-1168D	168.00	5,203	3,061	15,176	89%	7.00	1 @ 7.5	658.8	3/4"	40°	1,059	193	380
IBC16-1180D	180.00	5,143	3,026	16,073	87%	7.10	1 @ 7.5	698.2	3/4"	40°	1,130	202	420
IBC16-1192D	192.00	5,352	3,148	17,840	87%	8.20	1 @ 10	774.2	3/4"	40°	1,201	217	420

NOTES:

1. Operation at 50 Hz will generate approximately a 17% reduction in performance.
2. Performance data based on AMCA licensed data from unheated IDC16 units.
3. Maximum leaving air temperature shall not exceed 120°F.
4. Duct transition and direct fired gas heater are factory mounted to air curtain and each require individual support.
5. Gas supply pressure: minimum 1 psi, maximum 5 psi.
6. Vertically mounted Industrial Belt Drive air curtains not available.
7. Gas train size is not the main gas supply line size.

See sheet EP-439 for amp draws/total load requirements.

MODEL NUMBER CONFIGURATION

IBC16-1 060 D D-F T-SS

Series	# of Motors	Opening Width	Heat	Voltage	Intake	Motor Location	Opt. Cabinet Finish
IBC16	1	060" - 192"	D=Direct Gas Heated	D=208/3/60 E=240/3/60 H=480/3/60 I=600/3/60 T=380/3/50	T=Top F=Front	T=Top F=Front	SS=Stainless Steel CC=Custom Color

Sound level measured 10' (3m) from the unit in free field:
3, 5, 7½ & 10 hp motor(s):
68 dBA, 70 dBA, 72 dBA & 73 dBA

Berner reserves the right to alter specifications without prior notice.

www.berner.com Berner International 800.245.4455
111 Progress Ave. / New Castle / PA / 16101 / USA

DS-439A
July, 2015



INDUSTRIAL BELT DRIVE 16

Direct Gas Heated Air Curtain
Electrical Performance Sheet

MODEL	Qty @ HP	# CKTS	208/3/60 (voltage code D) TOTAL MOTOR AMP DRAW		# CKTS	240/3/60 (voltage code E) TOTAL MOTOR AMP DRAW		# CKTS	480/3/60 (voltage code H) TOTAL MOTOR AMP DRAW	
			AMPS PER CIRCUIT	BREAKER RATING PER CIRCUIT		AMPS PER CIRCUIT	BREAKER RATING PER CIRCUIT		AMPS PER CIRCUIT	BREAKER RATING PER CIRCUIT
IBC16-1060D IBC16-1072D IBC16-1084D	1 @ 3	1	12.0	15	1	10.9	15	1	5.5	15
IBC16-1096D IBC16-1108D	1 @ 5	1	17.2	30	1	15.4	30	1	7.8	15
IBC16-1120D IBC16-1132D IBC16-1144D IBC16-1156D IBC16-1168D IBC16-1180D	1 @ 7.5	1	23.6	50	1	21.3	45	1	10.7	25
IBC16-1192D	1 @ 10	1	30.1	60	1	27.0	60	1	13.6	30

MODEL	Qty @ HP	# CKTS	600/3/60 (voltage code I) TOTAL MOTOR AMP DRAW		# CKTS	380/3/50 (voltage code T) TOTAL MOTOR AMP DRAW	
			AMPS PER CIRCUIT	BREAKER RATING PER CIRCUIT		AMPS PER CIRCUIT	BREAKER RATING PER CIRCUIT
IBC16-1060D IBC16-1072D IBC16-1084D	1 @ 3	1	4.5	15	1	5.9	15
IBC16-1096D IBC16-1108D	1 @ 5	1	6.4	15	1	6.4	15
IBC16-1120D IBC16-1132D IBC16-1144D IBC16-1156D IBC16-1168D IBC16-1180D	1 @ 7.5	1	8.5	15	1	11.1	25
IBC16-1192D	1 @ 10	1	10.9	20	1	14.0	30

* Includes 750VA transformer load for gas fired burner panel.

Berner reserves the right to alter specifications without prior notice.

www.berner.com **Berner International** 800.245-4455
111 Progress Ave. / New Castle / PA / 16101 / USA

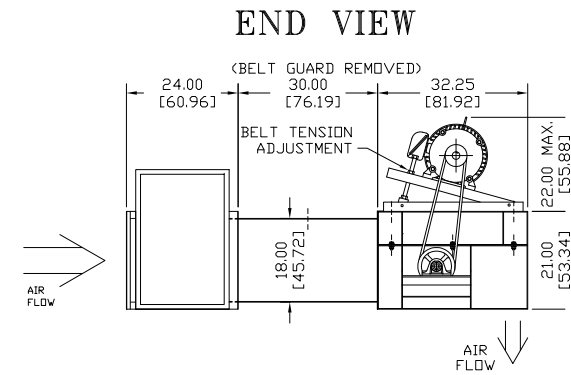
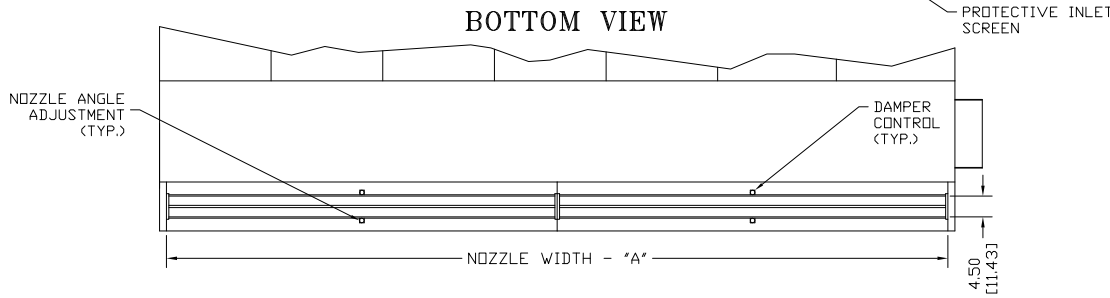
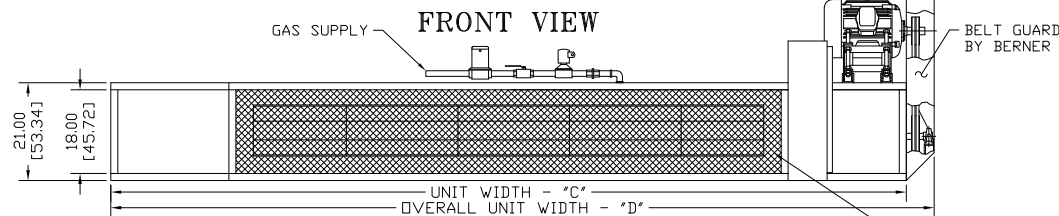
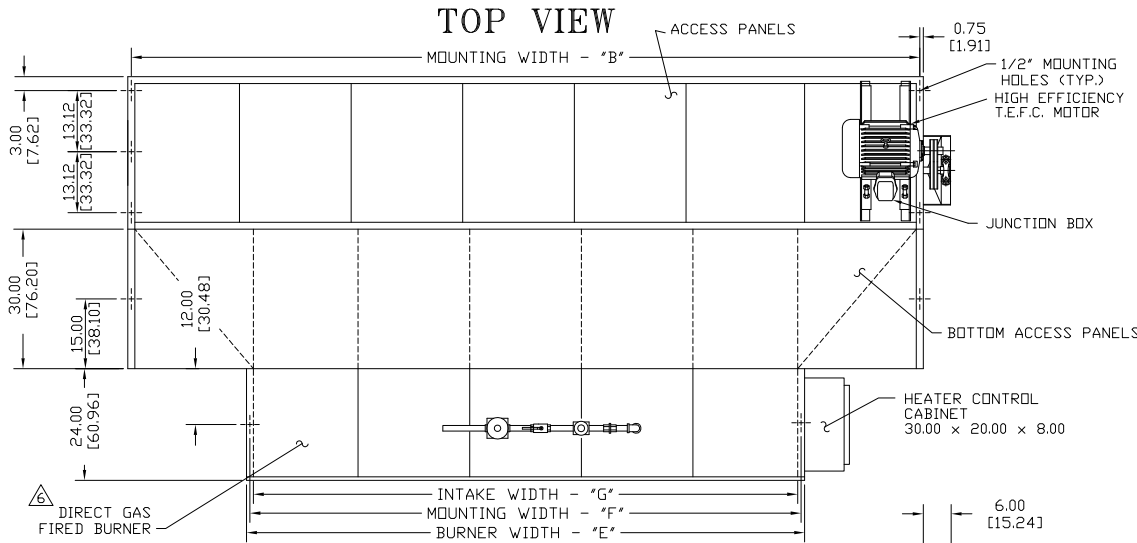
EP-439
December, 2018

IBC16

DIRECT GAS FIRED ONE HEATER SYSTEM FRONT INTAKE TOP MOTOR MOUNT

CAUTION:

HEATER IS EQUIPPED FOR A MAXIMUM GAS SUPPLY PRESSURE OF 1# TO 5#.



NOTES:

- ⚠️ AIR CURTAIN MUST BE INSTALLED SO AIR STREAM IS NOT OBSTRUCTED WHEN DEFLECTED 20° TO EITHER SIDE OF ζ
- ⚠️ ELECTRICAL CONNECTIONS TO BE FLEXIBLE.
- ⚠️ FIELD VERIFY DIMENSIONS.
- ⚠️ ANCHORS TO SUPPORTING STRUCTURE BY OTHERS.
- ⚠️ ADEQUACY OF SUPPORTING STRUCTURE IS TO BE VERIFIED BY A PROFESSIONAL STRUCTURAL ENGINEER.
- ⚠️ LETTER 'D' IN MODEL NUMBER DESIGNATES, DIRECT GAS HEATED UNIT. 'F' DESIGNATES FRONT INTAKE, 'T' IS TOP MOTOR.
- ⚠️ SUPPORT DIRECT GAS HEATERS SEPARATELY FROM UNIT.
- ⚠️ DIMENSIONS IN INCHES (CENTIMETERS).

MODEL	NOZZLE WIDTH 'A'	MOUNTING WIDTH 'B'	UNIT WIDTH 'C'	OVERALL WIDTH 'D'	BURNER WIDTH 'E'	MOUNTING WIDTH 'F'	INTAKE WIDTH 'G'
IBC16-1060D-FT	60.00 [152.40]	61.50 [156.21]	63.00 [160.02]	69.00 [175.26]	39.00 [99.06]	37.50 [95.25]	36.00 [91.44]
IBC16-1072D-FT	72.00 [182.88]	73.50 [186.69]	75.00 [190.50]	81.00 [205.74]	39.00 [99.06]	37.50 [95.25]	36.00 [91.44]
IBC16-1084D-FT	84.00 [213.36]	85.50 [217.17]	87.00 [220.98]	93.00 [236.22]	39.00 [99.06]	37.50 [95.25]	36.00 [91.44]
IBC16-1096D-FT	96.00 [243.84]	97.50 [247.65]	99.00 [251.46]	105.00 [266.70]	51.00 [129.54]	49.50 [125.73]	48.00 [121.92]
IBC16-1108D-FT	108.00 [274.32]	109.50 [278.13]	111.00 [281.94]	117.00 [297.18]	51.00 [129.54]	49.50 [125.73]	48.00 [121.92]
IBC16-1120D-FT	117.00 [297.18]	118.50 [300.99]	120.00 [304.80]	126.00 [320.04]	75.00 [190.50]	73.50 [186.69]	72.00 [182.88]
IBC16-1132D-FT	132.00 [335.28]	133.50 [339.09]	135.00 [342.90]	141.00 [358.14]	75.00 [190.50]	73.50 [186.69]	72.00 [182.88]
IBC16-1144D-FT	144.00 [365.76]	145.50 [369.57]	147.00 [373.38]	153.00 [388.62]	75.00 [190.50]	73.50 [186.69]	72.00 [182.88]
IBC16-1156D-FT	156.00 [396.24]	157.50 [400.05]	159.00 [403.86]	165.00 [419.10]	87.00 [220.98]	85.50 [217.17]	84.00 [213.36]
IBC16-1168D-FT	168.00 [426.72]	169.50 [430.53]	171.00 [434.34]	177.00 [449.58]	87.00 [220.98]	85.50 [217.17]	84.00 [213.36]
IBC16-1180D-FT	180.00 [457.20]	181.50 [461.01]	183.00 [464.82]	189.00 [480.06]	99.00 [251.46]	97.50 [247.65]	96.00 [243.84]
IBC16-1192D-FT	192.00 [487.68]	193.50 [491.49]	195.00 [495.30]	201.00 [510.54]	99.00 [251.46]	97.50 [247.65]	96.00 [243.84]

PROJECT		
LOCATION		
ARCHITECT		
ENGINEER		
DWG. NO.	IBC16-DGF1-A	TITLE: BERNER
DATE	03DEC19	MODEL IBC16 AIR CURTAIN
BY	N. GRADY	DIRECT GAS FIRED - ONE HEATER SYSTEM
REPLACES	13JUNE14	
BY	S. BEIL	BERNER INTERNATIONAL CORP. NEW CASTLE, PA.