



HAZARDOUS LOCATION SERIES 20

Steam Heated Air Curtain

Data Sheet

For Door Heights To 20' (environmental separation)

STANDARD CONSTRUCTION

- Constructed for Class I, Division 1 & 2, Groups C & D
- Constructed for Class II, Division 1 & 2, Groups F & G
- Explosion proof single speed motor(s) temperature code T3C
- Interior and exterior gray zinc epoxy powder coated aluminized steel cabinet and screen
- Split cabinet construction for fan assembly removal
- External mount explosion proof junction box (One per motor)
- Aluminum impellers in zinc epoxy powder coated galvanized steel housing
- Fiberglass air diverters, factory assembled to the outlet of each blower housing
- Top Mounting only
- High efficiency Pro-V Nozzle

- Coil Features:
 - Aluminum casing
 - 5/8" copper tube with .035" wall
 - Aluminum fins
 - Leak tested at 450 psi

**2 Year
Limited
Warranty**



MODEL	Nozzle Width (in)	Max Vel. at Nozzle (fpm)	Avg. Outlet Vel. (fpm)	Air Volume (cfm)	Outlet Vel. Uniformity	Power Rating (kW)	Motor(s) @ hp	Coil Output (MBH)	Inlet Pressure (PSIG)	Condensate (lbs/hr)	Air Temp. Rise (°F)	Net Wt. (lbs)
HLC20-1060S	60.00	6,580	4,181	7,403	89%	4.70	1 @ 5	316.4	5	326.1	39°	506
HLC20-1072S	72.00	6,549	3,852	8,186	89%	4.90	1 @ 5	364.7	5	375.9	41°	560
HLC20-1084S	84.00	6,076	3,574	8,861	87%	4.90	1 @ 5	409.8	5	422.4	42°	614
HLC20-1096S	96.00	6,900	4,059	11,500	92%	6.80	1 @ 7½	498.9	5	514.3	40°	901
HLC20-1108S	108.00	6,747	3,969	12,650	90%	6.90	1 @ 7½	555.1	5	572.2	40°	991
HLC20-1120S	117.00	7,494	4,523	15,612	88%	8.70	1 @ 10	640.6	5	660.2	38°	1,067
HLC20-1132S	132.00	7,017	4,127	16,080	87%	8.90	1 @ 10	691.7	5	712.9	39°	1,126
HLC20-1144S	144.00	7,640	4,381	19,100	87%	11.70	1 @ 15	786.2	5	810.3	38°	1,175
HLC20-1156S	156.00	7,405	4,356	20,055	86%	11.90	1 @ 15	839.0	5	864.8	38°	1,289
HLC20-1168S	168.00	7,783	4,323	22,700	90%	12.80	1 @ 15	925.3	5	953.7	37°	1,383
HLC20-1180S	180.00	7,300	4,294	22,814	91%	12.90	1 @ 15	961.5	5	991.0	39°	1,440
HLC20-2192S	192.00	6,900	4,059	23,000	92%	13.60	2 @ 7½	997.9	5	1,028.5	40°	1,769

NOTES:

1. Performance data based on AMCA licensed data from unheated units.
 2. Coil performance based on 65°F entering air temperature.
 3. Standard connection same end supply/return (Optional: opposite end supply/return).
 4. Coil should be field supplied with a solenoid valve that energizes only when air curtain is energized. Consideration must be taken for freeze protection when necessary.
 5. Maximum leaving air temperature shall not exceed 120°F.
 6. Consult factory for 50 Hz operation, alternate steam pressures and opposite end supply/return connections performance data.
 7. Vertically mounted Hazardous Location Series air curtains not available.
- See sheet EP-934 for amp draws/total load requirements.

MODEL NUMBER CONFIGURATION

HLC20-1 060 S D-F

Series	# of Motors	Opening Width	Heat	Voltage	Intake
HLC20	1, 2	060" - 192"	S=Steam Heated	D=208/3/60 E=240/3/60 H=480/3/60 I=600/3/60	T=Top F=Front

Sound level measured 10' (3m) from the unit in free field:
5, 7½, 10, 15 & (7½ + 7½) hp motor(s):
73 dBA, 75 dBA, 76 dBA, 78 dBA & 78 dBA

Berner reserves the right to alter specifications without prior notice.

www.berner.com Berner International 800.245-4455
111 Progress Ave. / New Castle / PA / 16101 / USA

DS-934
July, 2015



HAZARDOUS LOCATION SERIES 20

Steam Heated Air Curtain Electrical Performance Sheet

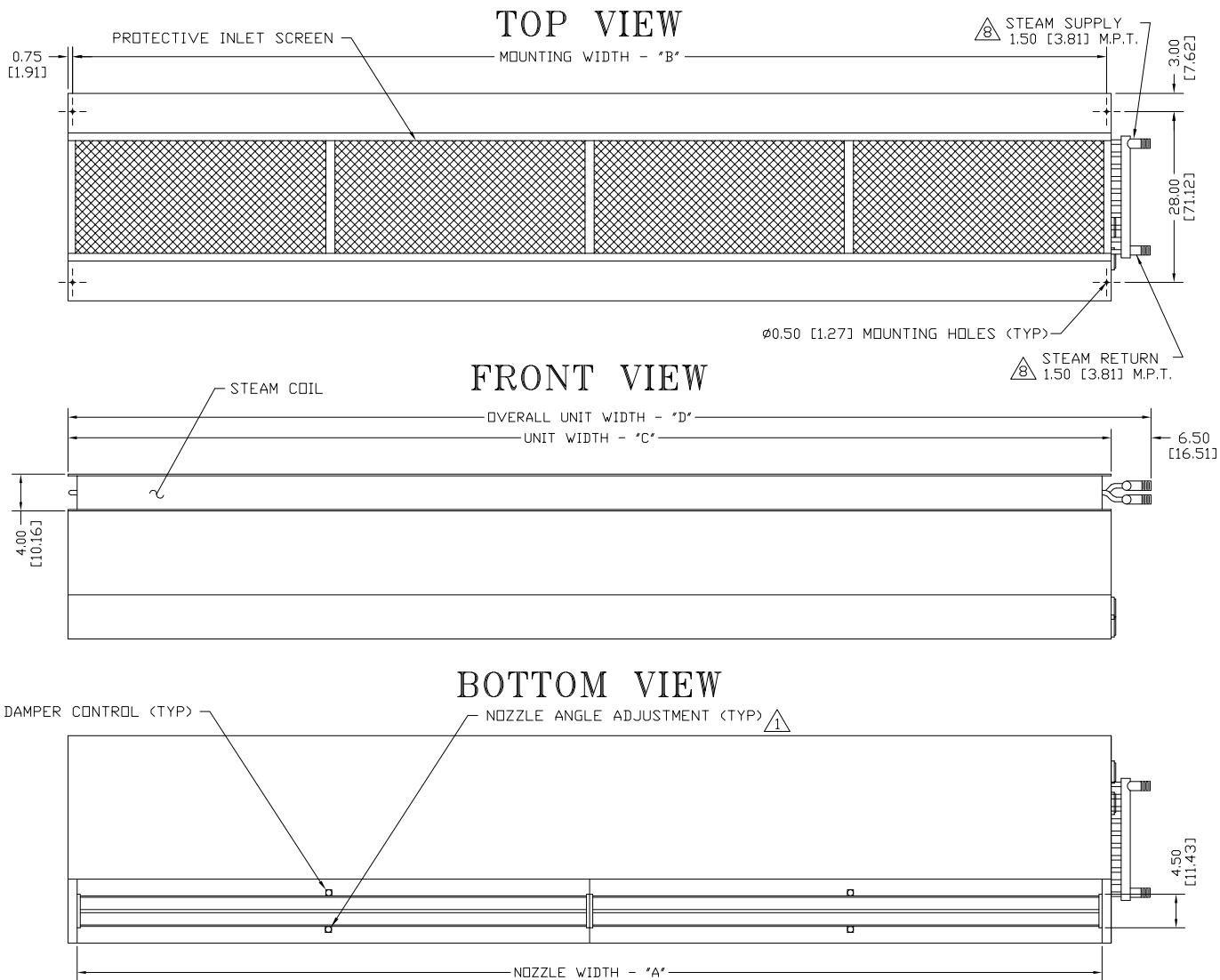
MODEL	Qty @ HP	208/3/60 (voltage code D) TOTAL MOTOR AMP DRAW			240/3/60 (voltage code E) TOTAL MOTOR AMP DRAW			480/3/60 (voltage code H) TOTAL MOTOR AMP DRAW			600/3/60 (voltage code I) TOTAL MOTOR AMP DRAW		
		# CKTS	AMPS PER CIRCUIT	BREAKER RATING PER CIRCUIT	# CKTS	AMPS PER CIRCUIT	BREAKER RATING PER CIRCUIT	# CKTS	AMPS PER CIRCUIT	BREAKER RATING PER CIRCUIT	# CKTS	AMPS PER CIRCUIT	BREAKER RATING PER CIRCUIT
HLC20-1060S HLC20-1072S HLC20-1084S	1 @ 5	1	17.0	35	1	15.8	35	1	7.9	20	1	6.3	15
HLC20-1096S HLC20-1108S	1 @ 7.5	1	23.0	50	1	22.0	45	1	11.0	25	1	8.5	20
HLC20-1120S HLC20-1132S	1 @ 10	1	31.5	60	1	30.6	60	1	15.3	30	1	11.7	25
HLC20-1144S HLC20-1156S HLC20-1168S HLC20-1180S	1 @ 15	1	46.0	100	1	44.0	100	1	22.0	45	1	17.5	35
HLC20-2192S	2 @ 7.5	1	46.0	70	1	44.0	70	1	22.0	35	1	17.0	30

Berner reserves the right to alter specifications without prior notice.

www.berner.com Berner International 800.245-4455
111 Progress Ave. / New Castle / PA / 16101 / USA

EP-934
December, 2018

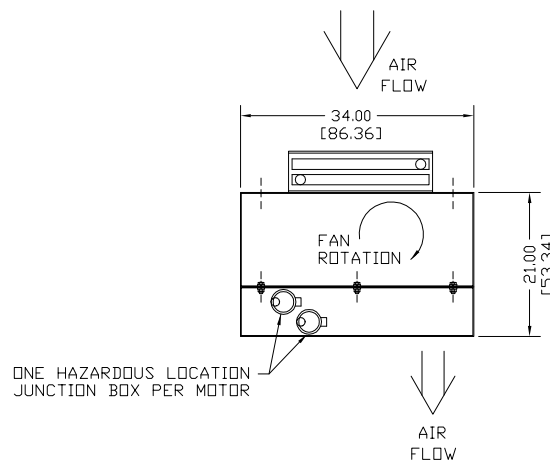
©Copyright, 2018 Berner International



HLC20

STEAM HEATED TOP INTAKE SAME END SUP./RET. HAZARDOUS LOCATION

END VIEW

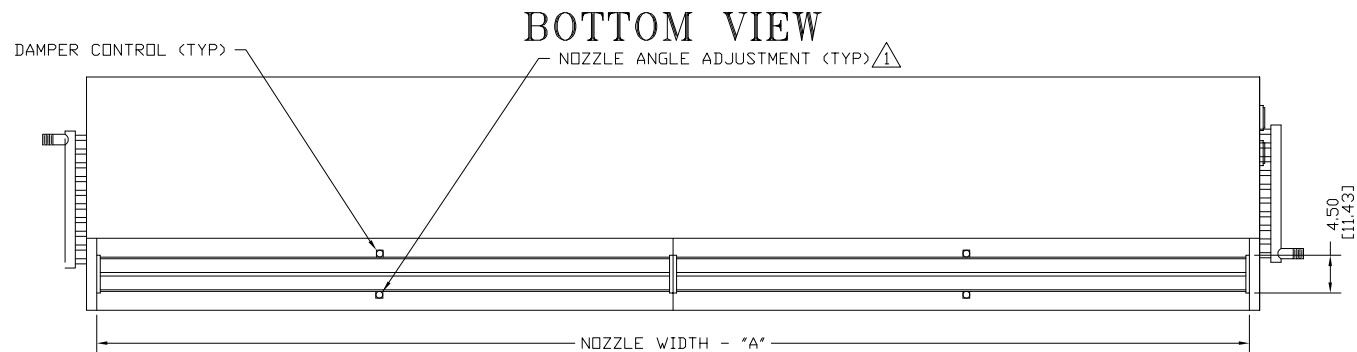
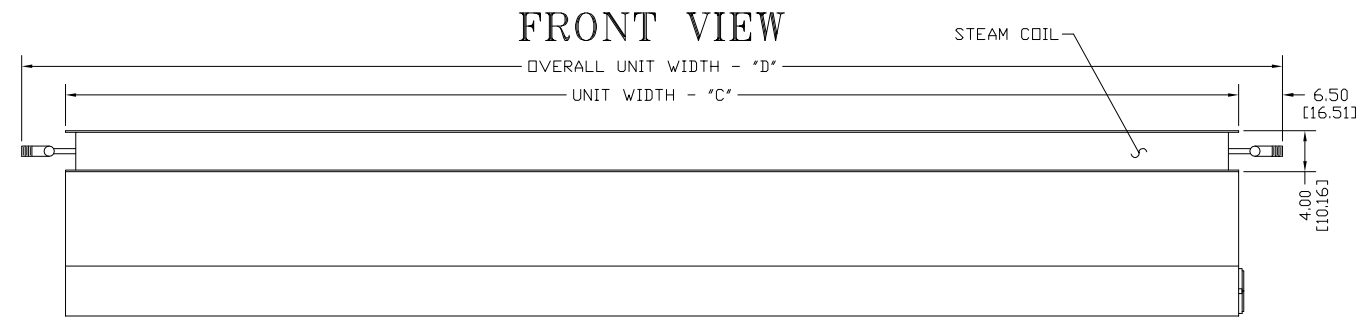
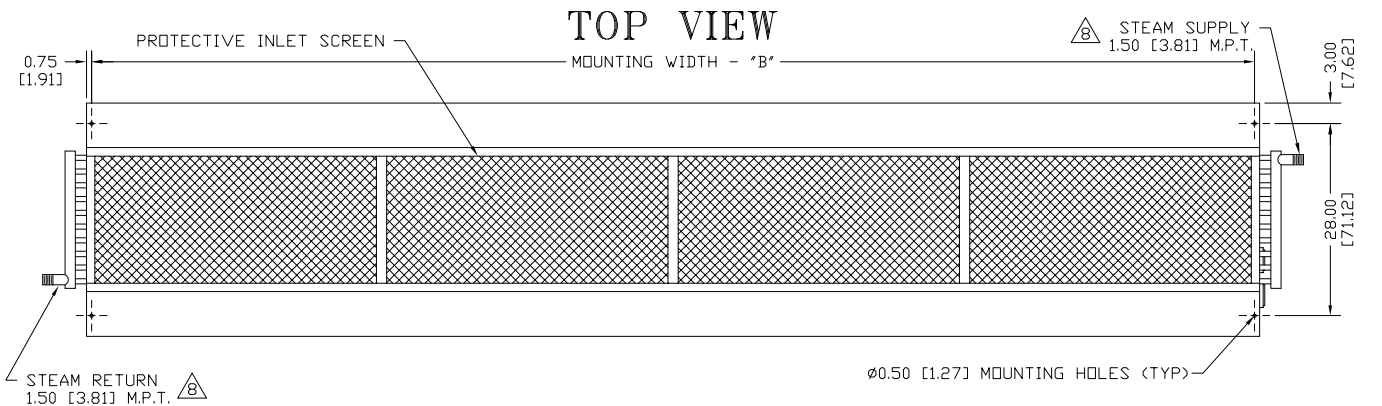


NOTES:

- ⚠ AIR CURTAIN MUST BE INSTALLED SO AIR STREAM IS NOT OBSTRUCTED WHEN DEFLECTED 20° TO EITHER SIDE OF C.
- ⚠ ELECTRICAL CONNECTIONS TO BE FLEXIBLE.
- ⚠ FIELD VERIFY DIMENSIONS.
- ⚠ ANCHORS TO SUPPORTING STRUCTURE BY OTHERS.
- ⚠ ADEQUACY OF SUPPORTING STRUCTURE IS TO BE VERIFIED BY A PROFESSIONAL STRUCTURAL ENGINEER.
- ⚠ LETTER 'S' IN MODEL NUMBER DESIGNATES STEAM HEATED UNIT, THE 'T' IS FOR TOP INTAKE.
- ⚠ REMOTE OPTIONAL CONTROL PANEL AVAILABLE: NEMA 4/12 FOR NON HAZARDOUS LOCATION MOUNTING; NEMA 7/9 FOR HAZARDOUS LOCATION MOUNTING. PLEASE SPECIFY.
- ⚠ COIL CONNECTIONS AS SHOWN, OPPOSITE AND SAME END CONNECTIONS AVAILABLE, PLEASE SPECIFY.
- ⚠ DIMENSIONS IN INCHES [CENTIMETERS].

MODEL ⚠	NOZZLE WIDTH "A"	MOUNTING WIDTH "B"	UNIT WIDTH "C"	OVERALL WIDTH "D"
HLC20-1060S-T	60.00 [152.40]	61.50 [156.21]	63.00 [160.02]	69.50 [176.53]
HLC20-1072S-T	72.00 [182.88]	73.50 [186.69]	75.00 [190.50]	81.50 [207.01]
HLC20-1084S-T	84.00 [213.36]	85.50 [217.17]	87.00 [220.98]	93.50 [237.49]
HLC20-1096S-T	96.00 [243.84]	97.50 [247.65]	99.00 [251.46]	105.50 [267.97]
HLC20-1108S-T	108.00 [274.32]	109.50 [278.13]	111.00 [281.94]	117.50 [298.45]
HLC20-1120S-T	117.00 [297.18]	118.50 [300.99]	120.00 [304.80]	126.50 [321.31]
HLC20-1132S-T	132.00 [335.28]	133.50 [339.09]	135.00 [342.90]	141.50 [359.41]
HLC20-1144S-T	144.00 [365.76]	145.50 [369.57]	147.00 [373.38]	153.50 [389.89]
HLC20-1156S-T	156.00 [396.24]	157.50 [400.05]	159.00 [403.86]	165.50 [420.37]
HLC20-1168S-T	168.00 [426.72]	169.50 [430.53]	171.00 [434.34]	177.50 [450.85]
HLC20-1180S-T	180.00 [457.20]	181.50 [461.01]	183.00 [464.82]	189.50 [481.33]
HLC20-2192S-T	192.00 [487.68]	193.50 [491.49]	195.00 [495.30]	201.50 [511.81]

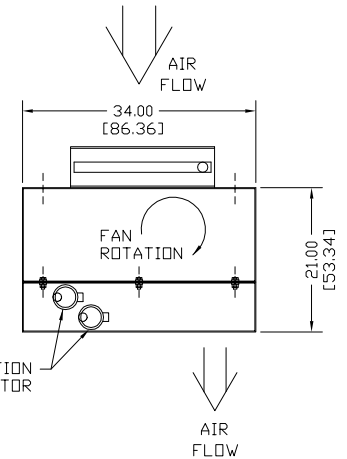
PROJECT		
LOCATION		
ARCHITECT		
ENGINEER		
DWG. NO.	HLC20-STM1	TITLE: BERNER
DATE	18 JUNE 14	MODEL HLC20 AIR CURTAIN
BY	S. Beil	HAZARDOUS LOCATION TOP INTAKE STEAM HEATED SYSTEM
REPLACES	-	
BY	-	BERNER INTERNATIONAL CORP. NEW CASTLE, PA.



HLC20

STEAM HEATED TOP INTAKE OPP. END SUP./RET. HAZARDOUS LOCATION

END VIEW



ONE HAZARDOUS LOCATION
JUNCTION BOX PER MOTOR

NOTES:

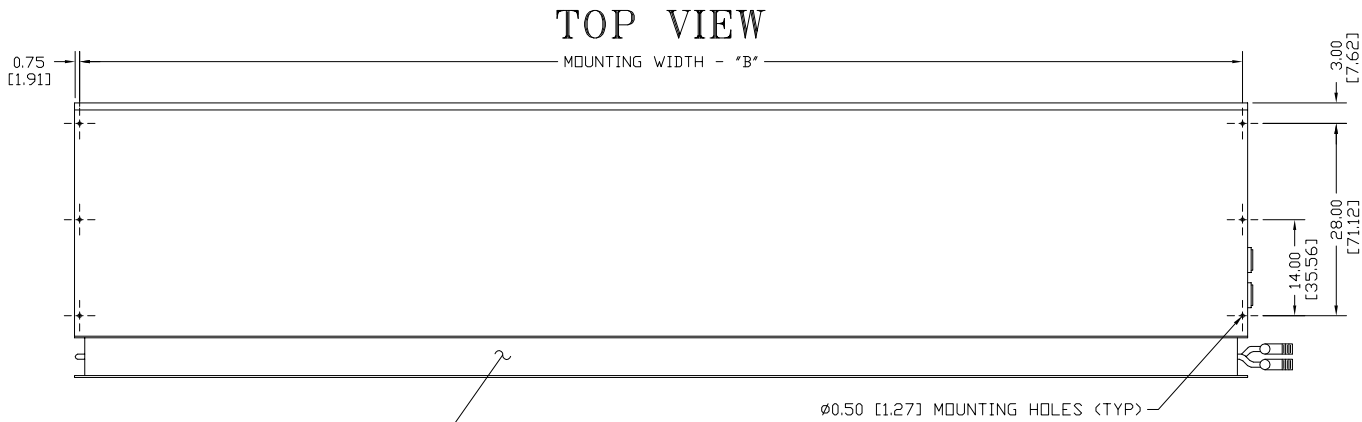
- ⚠️ AIR CURTAIN MUST BE INSTALLED SO AIR STREAM IS NOT OBSTRUCTED WHEN DEFLECTED 20° TO EITHER SIDE OF \square .
- ⚠️ ELECTRICAL CONNECTIONS TO BE FLEXIBLE.
- ⚠️ FIELD VERIFY DIMENSIONS.
- ⚠️ ANCHORS TO SUPPORTING STRUCTURE BY OTHERS.
- ⚠️ ADEQUACY OF SUPPORTING STRUCTURE IS TO BE VERIFIED BY A PROFESSIONAL STRUCTURAL ENGINEER.
- ⚠️ LETTER 'S' IN MODEL NUMBER DESIGNATES STEAM HEATED UNIT, THE 'T' IS FOR TOP INTAKE.
- ⚠️ REMOTE OPTIONAL CONTROL PANEL AVAILABLE: NEMA 4/12 FOR NON HAZARDOUS LOCATION MOUNTING; NEMA 7/9 FOR HAZARDOUS LOCATION MOUNTING. PLEASE SPECIFY.
- ⚠️ COIL CONNECTIONS AS SHOWN, OPPOSITE AND SAME END CONNECTIONS AVAILABLE, PLEASE SPECIFY.
- ⚠️ DIMENSIONS IN INCHES [CENTIMETERS].

MODEL	NOZZLE WIDTH "A"	MOUNTING WIDTH "B"	UNIT WIDTH "C"	OVERALL WIDTH "D"
HLC20-1060S-T	60.00 [152.40]	61.50 [156.21]	63.00 [160.02]	76.00 [193.04]
HLC20-1072S-T	72.00 [182.88]	73.50 [186.69]	75.00 [190.50]	88.00 [223.52]
HLC20-1084S-T	84.00 [213.36]	85.50 [217.17]	87.00 [220.98]	100.00 [254.00]
HLC20-1096S-T	96.00 [243.84]	97.50 [247.65]	99.00 [251.46]	112.00 [284.48]
HLC20-1108S-T	108.00 [274.32]	109.50 [278.13]	111.00 [281.94]	124.00 [314.96]
HLC20-1120S-T	117.00 [297.18]	118.50 [300.99]	120.00 [304.80]	133.00 [337.82]
HLC20-1132S-T	132.00 [335.28]	133.50 [339.09]	135.00 [342.90]	148.00 [375.92]
HLC20-1144S-T	144.00 [365.76]	145.50 [369.57]	147.00 [373.38]	160.00 [406.40]
HLC20-1156S-T	156.00 [396.24]	157.50 [400.05]	159.00 [403.86]	172.00 [436.88]
HLC20-1168S-T	168.00 [426.72]	169.50 [430.53]	171.00 [434.34]	184.00 [467.36]
HLC20-1180S-T	180.00 [457.20]	181.50 [461.01]	183.00 [464.82]	196.00 [497.84]
HLC20-2192S-T	192.00 [487.68]	193.50 [491.49]	195.00 [495.30]	208.00 [528.32]

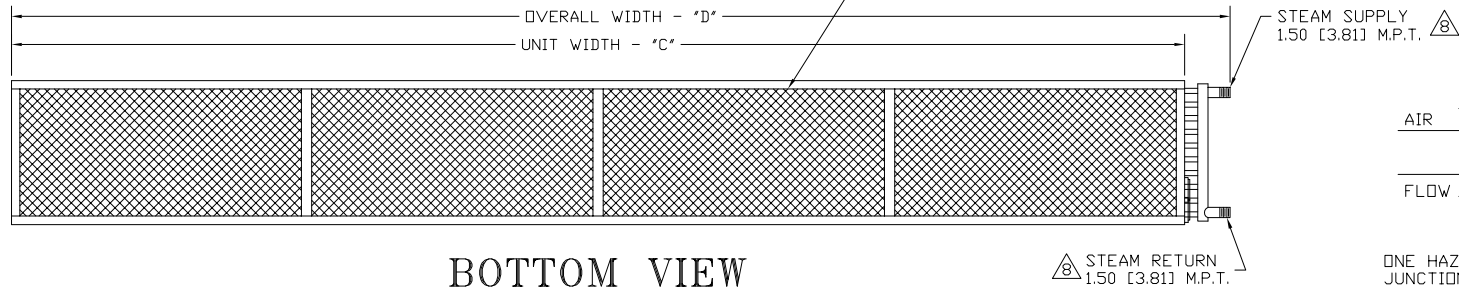
PROJECT		
LOCATION		
ARCHITECT		
ENGINEER		
DWG. NO.	HLC20-STM2	TITLE: BERNER
DATE	18JUNE14	MODEL HLC20 AIR CURTAIN
BY	S. Beil	HAZARDOUS LOCATION TOP INTAKE STEAM HEATED SYSTEM
REPLACES	-	
BY	-	BERNER INTERNATIONAL CORP. NEW CASTLE, PA.

HLC20

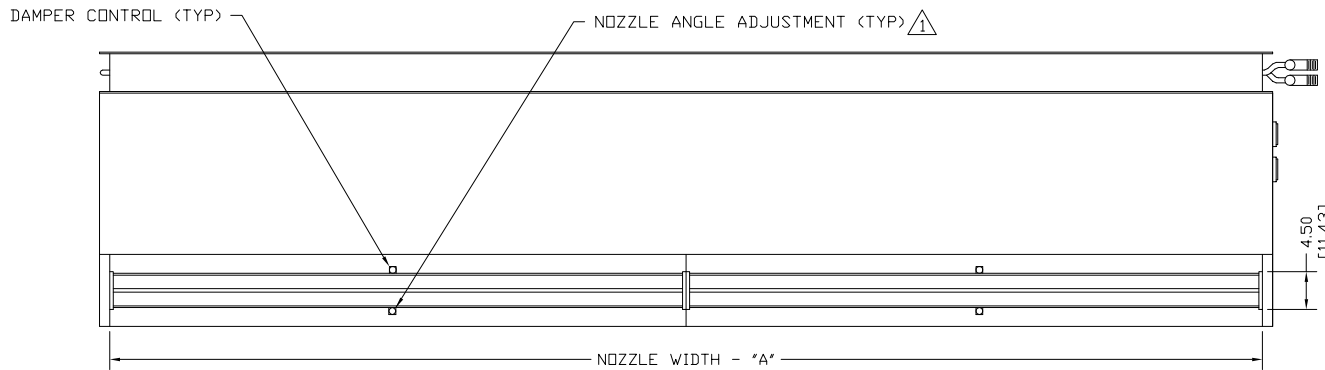
STEAM HEATED FRONT INTAKE SAME END SUP./RET. HAZARDOUS LOCATION



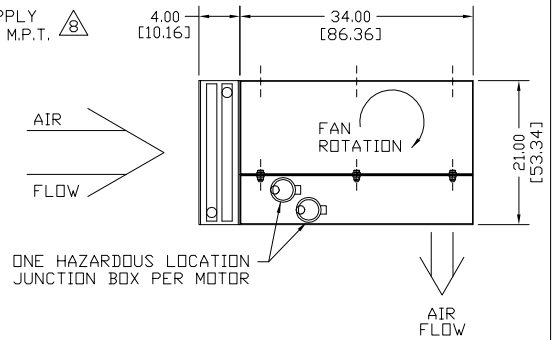
STEAM COIL FRONT VIEW PROTECTIVE INLET SCREEN



BOTTOM VIEW



END VIEW



NOTES:

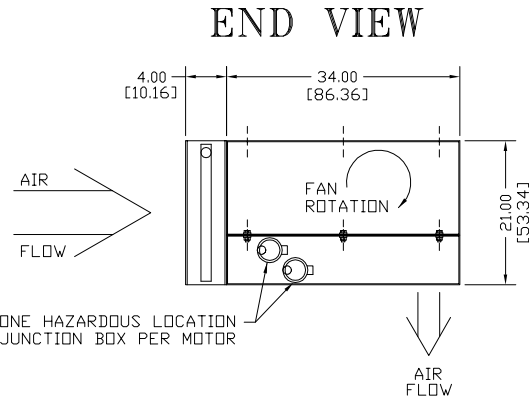
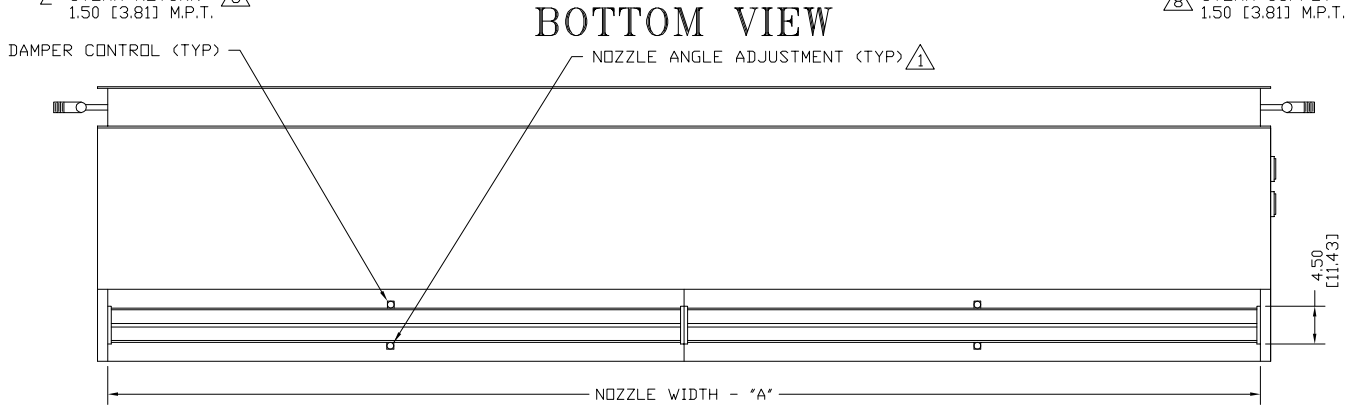
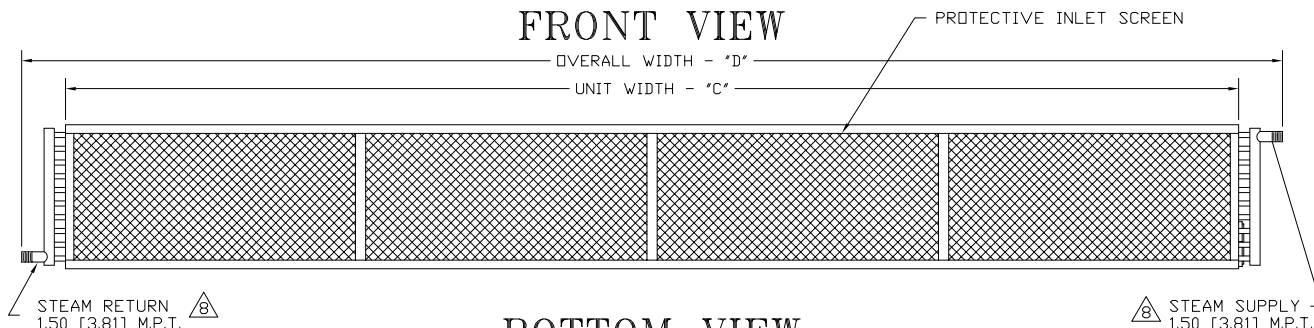
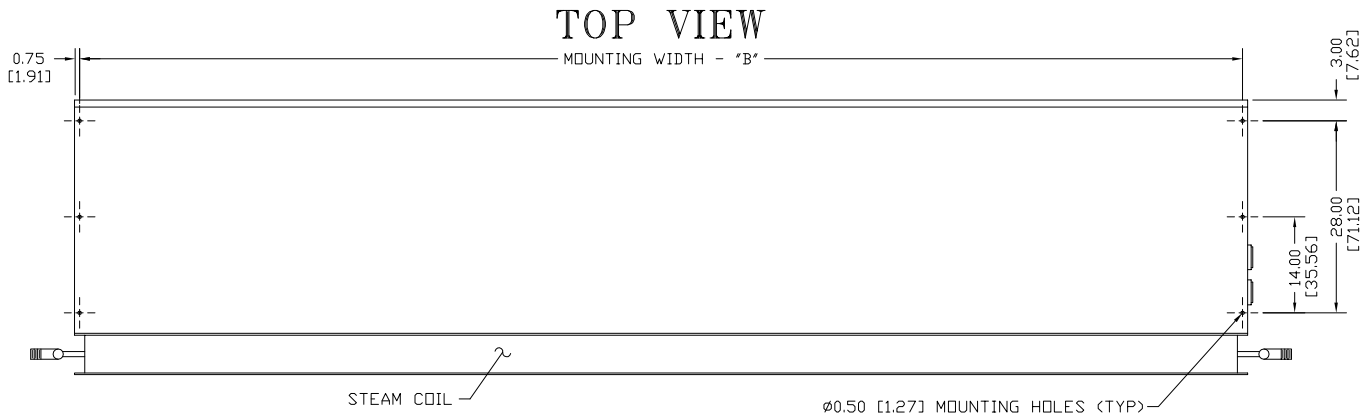
- ⚠ AIR CURTAIN MUST BE INSTALLED SO AIR STREAM IS NOT OBSTRUCTED WHEN DEFLECTED 20° TO EITHER SIDE OF C.
- ⚠ ELECTRICAL CONNECTIONS TO BE FLEXIBLE.
- ⚠ FIELD VERIFY DIMENSIONS.
- ⚠ ANCHORS TO SUPPORTING STRUCTURE BY OTHERS.
- ⚠ ADEQUACY OF SUPPORTING STRUCTURE IS TO BE VERIFIED BY A PROFESSIONAL STRUCTURAL ENGINEER.
- ⚠ LETTER 'S' IN MODEL NUMBER DESIGNATES STEAM HEATED UNIT, THE 'F' IS FOR FRONT INTAKE.
- ⚠ REMOTE OPTIONAL CONTROL PANEL AVAILABLE: NEMA 4/12 FOR NON HAZARDOUS LOCATION MOUNTING; NEMA 7/9 FOR HAZARDOUS LOCATION MOUNTING. PLEASE SPECIFY.
- ⚠ COIL CONNECTIONS AS SHOWN, OPPOSITE AND SAME END CONNECTIONS AVAILABLE, PLEASE SPECIFY.
- ⚠ DIMENSIONS IN INCHES [CENTIMETERS].

MODEL ⚠	NOZZLE WIDTH "A"	MOUNTING WIDTH "B"	UNIT WIDTH "C"	OVERALL WIDTH "D"
HLC20-1060S-F	60.00 [152.40]	61.50 [156.21]	63.00 [160.02]	69.50 [176.53]
HLC20-1072S-F	72.00 [182.88]	73.50 [186.69]	75.00 [190.50]	81.50 [207.01]
HLC20-1084S-F	84.00 [213.36]	85.50 [217.17]	87.00 [220.98]	93.50 [237.49]
HLC20-1096S-F	96.00 [243.84]	97.50 [247.65]	99.00 [251.46]	105.50 [267.97]
HLC20-1108S-F	108.00 [274.32]	109.50 [278.13]	111.00 [281.94]	117.50 [298.45]
HLC20-1120S-F	117.00 [297.18]	118.50 [300.99]	120.00 [304.80]	126.50 [321.31]
HLC20-1132S-F	132.00 [335.28]	133.50 [339.09]	135.00 [342.90]	141.50 [359.41]
HLC20-1144S-F	144.00 [365.76]	145.50 [369.57]	147.00 [373.38]	153.50 [389.89]
HLC20-1156S-F	156.00 [396.24]	157.50 [400.05]	159.00 [403.86]	165.50 [420.37]
HLC20-1168S-F	168.00 [426.72]	169.50 [430.53]	171.00 [434.34]	177.50 [450.85]
HLC20-1180S-F	180.00 [457.20]	181.50 [461.01]	183.00 [464.82]	189.50 [481.33]
HLC20-2192S-F	192.00 [487.68]	193.50 [491.49]	195.00 [495.30]	201.50 [511.81]

PROJECT		
LOCATION		
ARCHITECT		
ENGINEER		
DWG. NO.	HLC20-STM3	TITLE: BERNER
DATE	18JUNE14	MODEL HLC20 AIR CURTAIN
BY	S. Beil	HAZARDOUS LOCATION FRONT INTAKE STEAM HEATED SYSTEM
REPLACES	-	
BY	-	BERNER INTERNATIONAL CORP. NEW CASTLE, PA.

HLC20

STEAM HEATED
FRONT INTAKE
OPP. END SUP./RET.
HAZARDOUS LOCATION



MODEL	NOZZLE WIDTH "A"	MOUNTING WIDTH "B"	UNIT WIDTH "C"	OVERALL WIDTH "D"
HLC20-1060S-F	60.00 [152.40]	61.50 [156.21]	63.00 [160.02]	76.00 [193.04]
HLC20-1072S-F	72.00 [182.88]	73.50 [186.69]	75.00 [190.50]	88.00 [223.52]
HLC20-1084S-F	84.00 [213.36]	85.50 [217.17]	87.00 [220.98]	100.00 [254.00]
HLC20-1096S-F	96.00 [243.84]	97.50 [247.65]	99.00 [251.46]	112.00 [284.48]
HLC20-1108S-F	108.00 [274.32]	109.50 [278.13]	111.00 [281.94]	124.00 [314.96]
HLC20-1120S-F	117.00 [297.18]	118.50 [300.99]	120.00 [304.80]	133.00 [337.82]
HLC20-1132S-F	132.00 [335.28]	133.50 [339.09]	135.00 [342.90]	148.00 [375.92]
HLC20-1144S-F	144.00 [365.76]	145.50 [369.57]	147.00 [373.38]	160.00 [406.40]
HLC20-1156S-F	156.00 [396.24]	157.50 [400.05]	159.00 [403.86]	172.00 [436.88]
HLC20-1168S-F	168.00 [426.72]	169.50 [430.53]	171.00 [434.34]	184.00 [467.36]
HLC20-1180S-F	180.00 [457.20]	181.50 [461.01]	183.00 [464.82]	196.00 [497.84]
HL-20-2192S-F	192.00 [487.68]	193.50 [491.49]	195.00 [495.30]	208.00 [528.32]

- NOTES:**
- ⚠️ AIR CURTAIN MUST BE INSTALLED SO AIR STREAM IS NOT OBSTRUCTED WHEN DEFLECTED 20° TO EITHER SIDE OF C.
 - ⚠️ ELECTRICAL CONNECTIONS TO BE FLEXIBLE.
 - ⚠️ FIELD VERIFY DIMENSIONS.
 - ⚠️ ANCHORS TO SUPPORTING STRUCTURE BY OTHERS.
 - ⚠️ ADEQUACY OF SUPPORTING STRUCTURE IS TO BE VERIFIED BY A PROFESSIONAL STRUCTURAL ENGINEER.
 - ⚠️ LETTER 'S' IN MODEL NUMBER DESIGNATES STEAM HEATED UNIT, THE 'F' IS FOR FRONT INTAKE.
 - ⚠️ REMOTE OPTIONAL CONTROL PANEL AVAILABLE: NEMA 4/12 FOR NON HAZARDOUS LOCATION MOUNTING; NEMA 7/9 FOR HAZARDOUS LOCATION MOUNTING. PLEASE SPECIFY.
 - ⚠️ COIL CONNECTIONS AS SHOWN, OPPOSITE AND SAME END CONNECTIONS AVAILABLE, PLEASE SPECIFY.
 - ⚠️ DIMENSIONS IN INCHES [CENTIMETERS].

PROJECT		
LOCATION		
ARCHITECT		
ENGINEER		
DWG. NO.	HLC20-STM4	TITLE: BERNER
DATE	18JUNE14	MODEL HLC20 AIR CURTAIN
BY	S. Beil	HAZARDOUS LOCATION FRONT INTAKE STEAM HEATED SYSTEM
REPLACES	-	
BY	-	BERNER INTERNATIONAL CORP. NEW CASTLE, PA.