



# HAZARDOUS LOCATION SERIES 16

## Hot Water Heated Air Curtain

### Data Sheet

For Door Heights To 16' (environmental separation)

#### STANDARD CONSTRUCTION

- Constructed for Class I, Division 1 & 2, Groups C & D
- Constructed for Class II, Division 1 & 2, Groups F & G
- Explosion proof single speed motor(s) temperature code T3C
- Interior and exterior gray zinc epoxy powder coated aluminized steel cabinet and screen
- Split cabinet construction for fan assembly removal
- External mount explosion proof junction box (One per motor)
- Aluminum impellers in zinc epoxy powder coated galvanized steel housing
- Fiberglass air diverters, factory assembled to the outlet of each blower housing
- Top Mounting only
- High efficiency Pro-V Nozzle

- Coil Features:
  - Aluminum casing
  - 5/8" copper tube with .035" wall
  - Aluminum fins
  - Leak tested at 450 psi

**2 Year  
Limited  
Warranty**



MODEL	Nozzle Width (in)	Max Vel. at Nozzle (fpm)	Avg. Outlet Vel. (fpm)	Air Volume (cfm)	Outlet Vel. Uniformity	Power Rating (kW)	Motor(s) @ hp	Coil Output (MBH)	Entering / Leaving Water Temp. (°F)	Water Flow (GPM)	Fluid Pressure Drop (FT. WG.)	Air Temp. Rise (°F)	Net Wt. (lbs)
HLC16-1060W	60.00	5,145	3,302	5,359	85%	2.80	1 @ 3	227.1	180° / 161°	24.0	2.3	39°	482
HLC16-1072W	72.00	5,005	2,944	6,256	91%	2.90	1 @ 3	267.2	180° / 159°	26.0	2.7	39°	535
HLC16-1084W	84.00	4,644	2,732	6,772	89%	3.00	1 @ 3	292.3	180° / 156°	25.0	2.6	39°	588
HLC16-1096W	96.00	5,352	3,148	8,920	87%	4.10	1 @ 5	378.2	180° / 158°	36.0	5.4	39°	729
HLC16-1108W	108.00	5,236	3,080	9,817	86%	4.20	1 @ 5	416.7	180° / 157°	37.0	5.8	39°	862
HLC16-1120W	117.00	6,012	3,627	12,526	87%	4.80	1 @ 7.5	506.5	180° / 158°	47.0	9.4	37°	1,065
HLC16-1132W	132.00	5,602	3,296	12,839	86%	4.90	1 @ 7.5	536.3	180° / 157°	47.0	9.6	38°	1,134
HLC16-1144W	144.00	5,225	3,074	13,062	85%	5.40	1 @ 7.5	564.5	180° / 157°	50.0	11.1	39°	1,187
HLC16-1156W	156.00	4,943	2,908	13,388	84%	5.50	1 @ 7.5	592.1	180° / 157°	52.0	12.2	40°	1,250
HLC16-2168W	168.00	5,203	3,061	15,176	89%	7.00	1 @ 5, 1 @ 3	664.6	180° / 157°	60.0	16.4	40°	1,224
HLC16-2180W	180.00	5,143	3,026	16,073	87%	7.10	1 @ 5, 1 @ 3	705.4	180° / 157°	62.0	17.8	40°	1,305
HLC16-2192W	192.00	5,352	3,148	17,840	87%	8.20	2 @ 5	767.6	180° / 156°	65.0	19.8	39°	1,411

#### NOTES:

1. Performance data based on AMCA licensed data from unheated IDC16 units.
2. Coil performance based on 65°F entering air temperature.
3. Standard connection same end supply/return (Optional: opposite end supply/return).
4. Coil should be field supplied with a solenoid valve that energizes only when air curtain is energized. Consideration must be taken for freeze protection when necessary.
5. Maximum leaving air temperature shall not exceed 120°F.
6. Consult factory for 50 Hz operation, alternate entering air & water temperatures, GPM's, and opposite end supply/return connections performance data.
7. Vertically mounted Hazardous Location Series air curtains not available.

See sheet EP-926 for amp draws/total load requirements.

### MODEL NUMBER CONFIGURATION

## HLC16-1 060 W D-F

Series	# of Motors	Opening Width	Heat	Voltage	Intake
HLC16	1, 2	060" - 192"	W=Hot Water Heated	D=208/3/60 E=240/3/60 H=480/3/60 I=600/3/60	T=Top F=Front

Sound level measured 10' (3m) from the unit in free field:  
3, 5, 7½, (5 + 3) & (5 + 5) hp motor(s):  
68 dBA, 70 dBA, 71 dBA, 72 dBA & 73 dBA

Berner reserves the right to alter specifications without prior notice.

**www.berner.com Berner International 800.245-4455**  
111 Progress Ave. / New Castle / PA / 16101 / USA

DS-926  
July, 2015



# HAZARDOUS LOCATION SERIES 16

## Hot Water Heated Air Curtain

### Electrical Performance Sheet

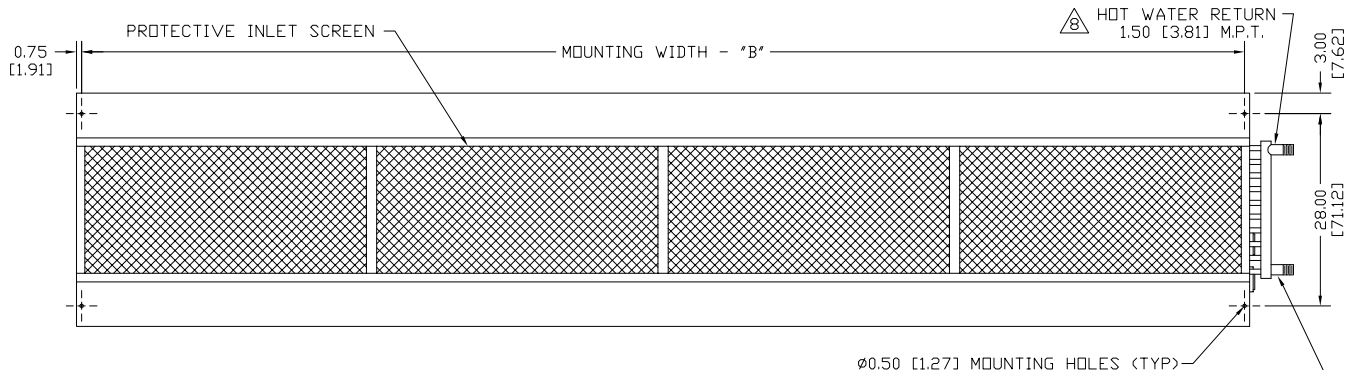
MODEL	Qty @ HP	# CKTS	208/3/60 (voltage code D) TOTAL MOTOR AMP DRAW		240/3/60 (voltage code E) TOTAL MOTOR AMP DRAW		480/3/60 (voltage code H) TOTAL MOTOR AMP DRAW		600/3/60 (voltage code I) TOTAL MOTOR AMP DRAW				
			AMPS PER CIRCUIT	BREAKER RATING PER CIRCUIT	# CKTS	AMPS PER CIRCUIT	BREAKER RATING PER CIRCUIT	# CKTS	AMPS PER CIRCUIT	BREAKER RATING PER CIRCUIT	# CKTS	AMPS PER CIRCUIT	BREAKER RATING PER CIRCUIT
HLC16-1060W HLC16-1072W HLC16-1084W	1 @ 3	1	13.1	25	1	12.2	25	1	6.1	15	1	3.9	15
HLC16-1096W HLC16-1108W	1 @ 5	1	17.0	35	1	15.8	35	1	7.9	20	1	6.3	15
HLC16-1120W HLC16-1132W HLC16-1144W HLC16-1156W	1 @ 7.5	1	23.0	50	1	22.0	45	1	11.0	25	1	8.5	20
HLC16-2168W HLC16-2180W	1 @ 3 1 @ 5	1	30.1	50	1	28.0	60	1	14.0	25	1	12.4	20
HLC16-2192W	2 @ 5	1	34.0	60	1	31.6	60	1	15.8	25	1	12.6	20

Berner reserves the right to alter specifications without prior notice.

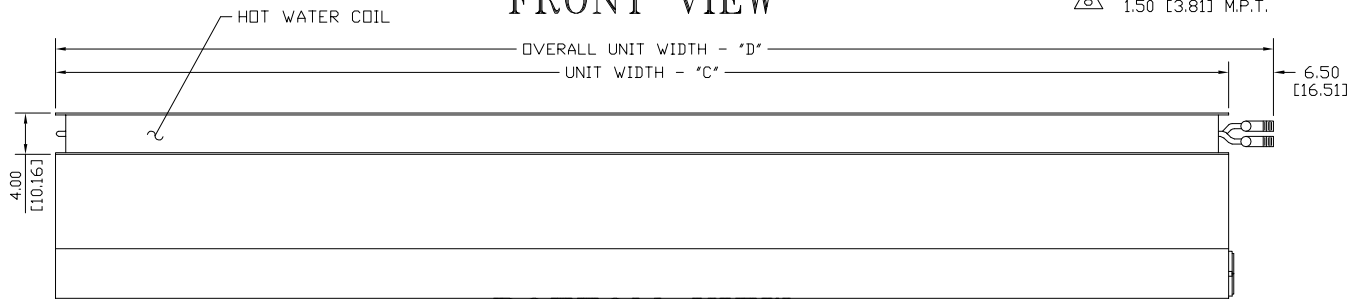
[www.berner.com](http://www.berner.com) **Berner International** 800.245-4455  
111 Progress Ave. / New Castle / PA / 16101 / USA

EP-926  
December, 2018

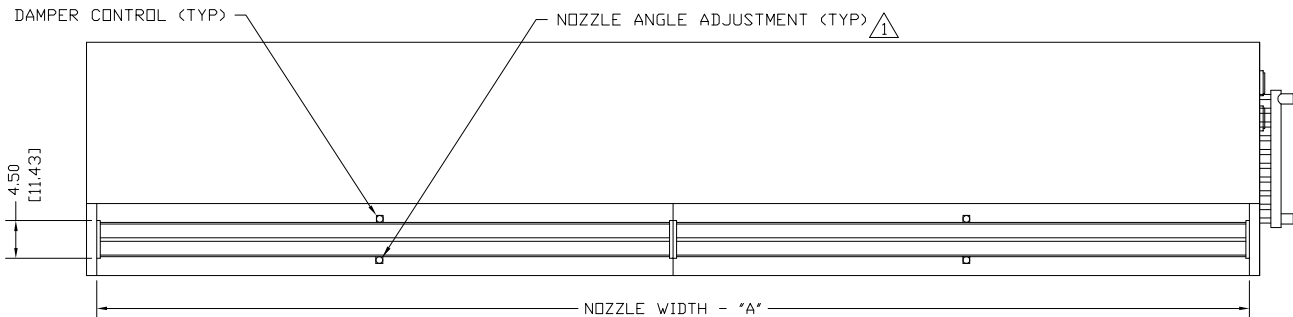
# TOP VIEW



# FRONT VIEW



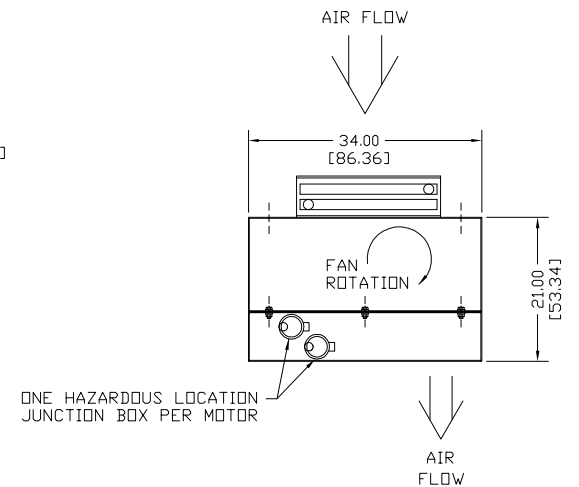
# BOTTOM VIEW



MODEL	NOZZLE WIDTH "A"	MOUNTING WIDTH "B"	UNIT WIDTH "C"	OVERALL WIDTH "D"
HLC16-1060W-T	60.00 [152.40]	61.50 [156.21]	63.00 [160.02]	69.50 [176.53]
HLC16-1072W-T	72.00 [182.88]	73.50 [186.69]	75.00 [190.50]	81.50 [207.01]
HLC16-1084W-T	84.00 [213.36]	85.50 [217.17]	87.00 [220.98]	93.50 [237.49]
HLC16-1096W-T	96.00 [243.84]	97.50 [247.65]	99.00 [251.46]	105.50 [267.97]
HLC16-1108W-T	108.00 [274.32]	109.50 [278.13]	111.00 [281.94]	117.50 [298.45]
HLC16-1120W-T	117.00 [297.18]	118.50 [300.99]	120.00 [304.80]	126.50 [321.31]
HLC16-1132W-T	132.00 [335.28]	133.50 [339.09]	135.00 [342.90]	141.50 [359.41]
HLC16-1144W-T	144.00 [365.76]	145.50 [369.57]	147.00 [373.38]	153.50 [389.89]
HLC16-1156W-T	156.00 [396.24]	157.50 [400.05]	159.00 [403.86]	165.50 [420.37]
HLC16-2168W-T	168.00 [426.72]	169.50 [430.53]	171.00 [434.34]	177.50 [450.85]
HLC16-2180W-T	180.00 [457.20]	181.50 [461.01]	183.00 [464.82]	189.50 [481.33]
HLC16-2192W-T	192.00 [487.68]	193.50 [491.49]	195.00 [495.30]	201.50 [511.81]

# HLC16 HOT WATER HEATED TOP INTAKE SAME END SUP./RET. HAZARDOUS LOCATION

# END VIEW

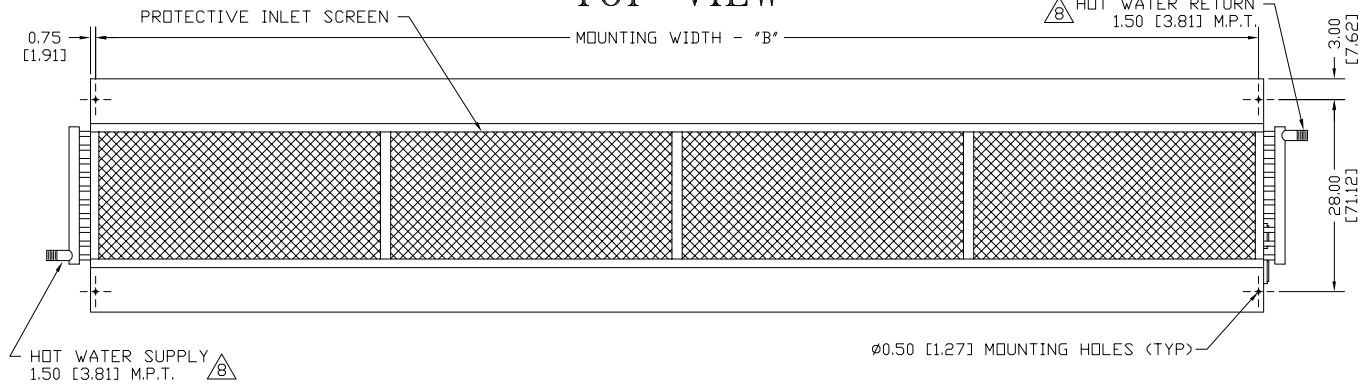


## NOTES:

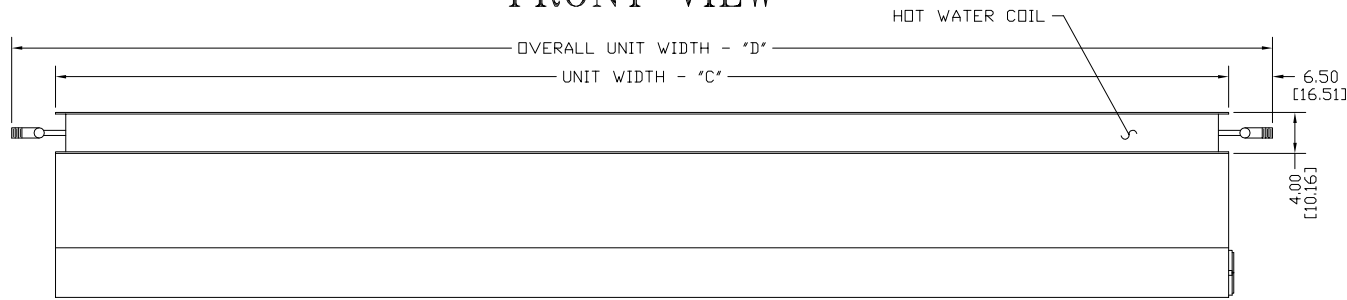
- ⚠ AIR CURTAIN MUST BE INSTALLED SO AIR STREAM IS NOT OBSTRUCTED WHEN DEFLECTED 20° TO EITHER SIDE OF  $\square$ .
- ⚠ ELECTRICAL CONNECTIONS TO BE FLEXIBLE.
- ⚠ FIELD VERIFY DIMENSIONS.
- ⚠ ANCHORS TO SUPPORTING STRUCTURE BY OTHERS.
- ⚠ ADEQUACY OF SUPPORTING STRUCTURE IS TO BE VERIFIED BY A PROFESSIONAL STRUCTURAL ENGINEER.
- ⚠ LETTER "W" IN MODEL NUMBER DESIGNATES HOT WATER HEATED UNIT, THE "T" IS FOR TOP INTAKE.
- ⚠ REMOTE OPTIONAL CONTROL PANEL AVAILABLE; NEMA 4/12 FOR NON HAZARDOUS LOCATION MOUNTING; NEMA 7/9 FOR HAZARDOUS LOCATION MOUNTING. PLEASE SPECIFY.
- ⚠ COIL CONNECTIONS AS SHOWN, OPPOSITE AND SAME END CONNECTIONS AVAILABLE, PLEASE SPECIFY.
- ⚠ DIMENSIONS IN INCHES [CENTIMETERS].

PROJECT		
LOCATION		
ARCHITECT		
ENGINEER		
DWG. NO.	HLC16-WTR1	TITLE: <b>BERNER</b>
DATE	17 JUNE 14	MODEL HLC16 AIR CURTAIN
BY	S. Beil	HAZARDOUS LOCATION TOP INTAKE HOT WATER HEATED SYSTEM
REPLACES	-	
BY	-	BERNER INTERNATIONAL CORP. NEW CASTLE, PA.

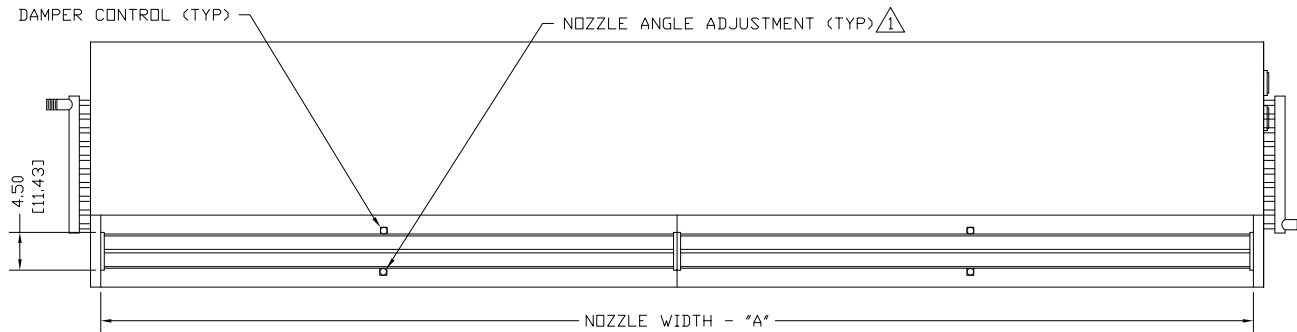
### TOP VIEW



### FRONT VIEW



### BOTTOM VIEW



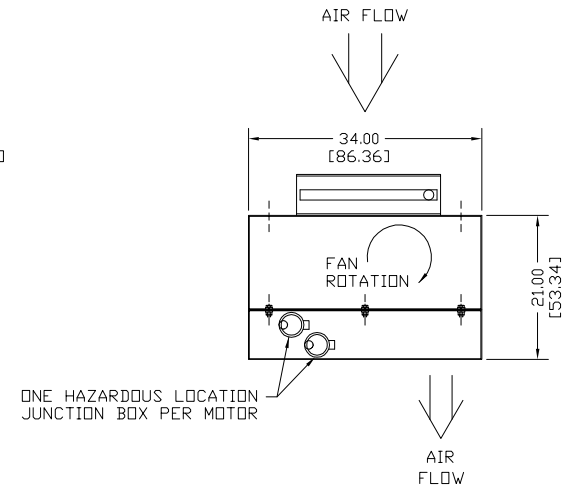
MODEL	NOZZLE WIDTH "A"	MOUNTING WIDTH "B"	UNIT WIDTH "C"	OVERALL WIDTH "D"
HLC16-1060W-T	60.00 [152.40]	61.50 [156.21]	63.00 [160.02]	76.00 [193.04]
HLC16-1072W-T	72.00 [182.88]	73.50 [186.69]	75.00 [190.50]	88.00 [223.52]
HLC16-1084W-T	84.00 [213.36]	85.50 [217.17]	87.00 [220.98]	100.00 [254.00]
HLC16-1096W-T	96.00 [243.84]	97.50 [247.65]	99.00 [251.46]	112.00 [284.48]
HLC16-1108W-T	108.00 [274.32]	109.50 [278.13]	111.00 [281.94]	124.00 [314.96]
HLC16-1120W-T	117.00 [297.18]	118.50 [300.99]	120.00 [304.80]	133.00 [337.82]
HLC16-1132W-T	132.00 [335.28]	133.50 [339.09]	135.00 [342.90]	148.00 [375.92]
HLC16-1144W-T	144.00 [365.76]	145.50 [369.57]	147.00 [373.38]	160.00 [406.40]
HLC16-1156W-T	156.00 [396.24]	157.50 [400.05]	159.00 [403.86]	172.00 [436.88]
HLC16-2168W-T	168.00 [426.72]	169.50 [430.53]	171.00 [434.34]	184.00 [467.36]
HLC16-2180W-T	180.00 [457.20]	181.50 [461.01]	183.00 [464.82]	196.00 [497.84]
HLC16-2192W-T	192.00 [487.68]	193.50 [491.49]	195.00 [495.30]	208.00 [528.32]

# HLC16

## HOT WATER HEATED TOP INTAKE

### OPP. END SUP./RET. HAZARDOUS LOCATION

### END VIEW

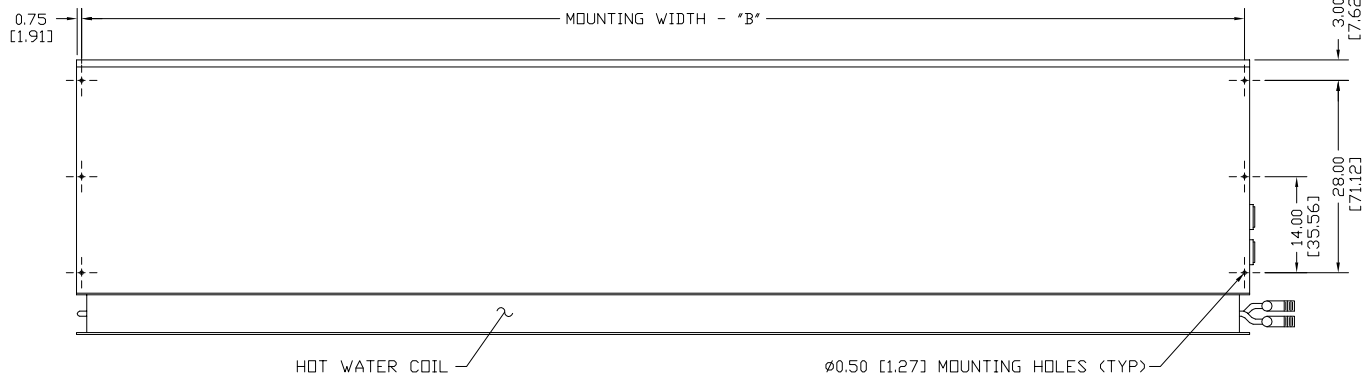


### NOTES:

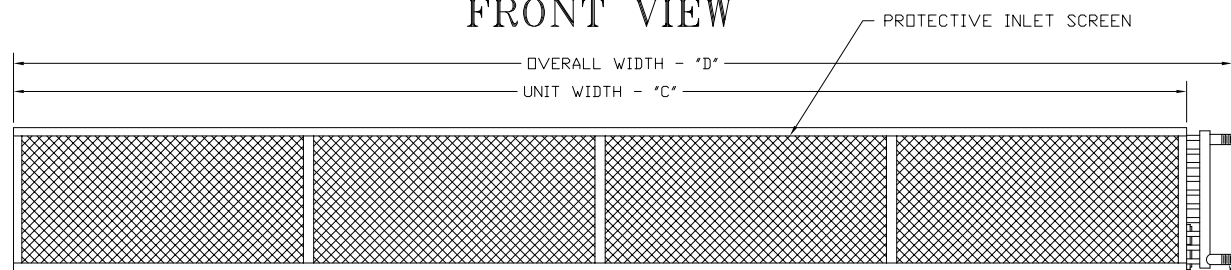
- ⚠ AIR CURTAIN MUST BE INSTALLED SO AIR STREAM IS NOT OBSTRUCTED WHEN DEFLECTED 20° TO EITHER SIDE OF  $\Delta$ .
- ⚠ ELECTRICAL CONNECTIONS TO BE FLEXIBLE.
- ⚠ FIELD VERIFY DIMENSIONS.
- ⚠ ANCHORS TO SUPPORTING STRUCTURE BY OTHERS.
- ⚠ ADEQUACY OF SUPPORTING STRUCTURE IS TO BE VERIFIED BY A PROFESSIONAL STRUCTURAL ENGINEER.
- ⚠ LETTER "W" IN MODEL NUMBER DESIGNATES HOT WATER HEATED UNIT, THE "T" IS FOR TOP INTAKE.
- ⚠ REMOTE OPTIONAL CONTROL PANEL AVAILABLE; NEMA 4/12 FOR NON HAZARDOUS LOCATION MOUNTING; NEMA 7/9 FOR HAZARDOUS LOCATION MOUNTING. PLEASE SPECIFY.
- ⚠ COIL CONNECTIONS AS SHOWN, OPPOSITE AND SAME END CONNECTIONS AVAILABLE, PLEASE SPECIFY.
- ⚠ DIMENSIONS IN INCHES [CENTIMETERS].

PROJECT		
LOCATION		
ARCHITECT		
ENGINEER		
DWG. NO.	HLC16-WTR2	TITLE: <b>BERNER</b>
DATE	17 JUNE 14	MODEL HLC16 AIR CURTAIN
BY	S. Beil	HAZARDOUS LOCATION TOP INTAKE HOT WATER HEATED SYSTEM
REPLACES	-	
BY	-	BERNER INTERNATIONAL CORP. NEW CASTLE, PA.

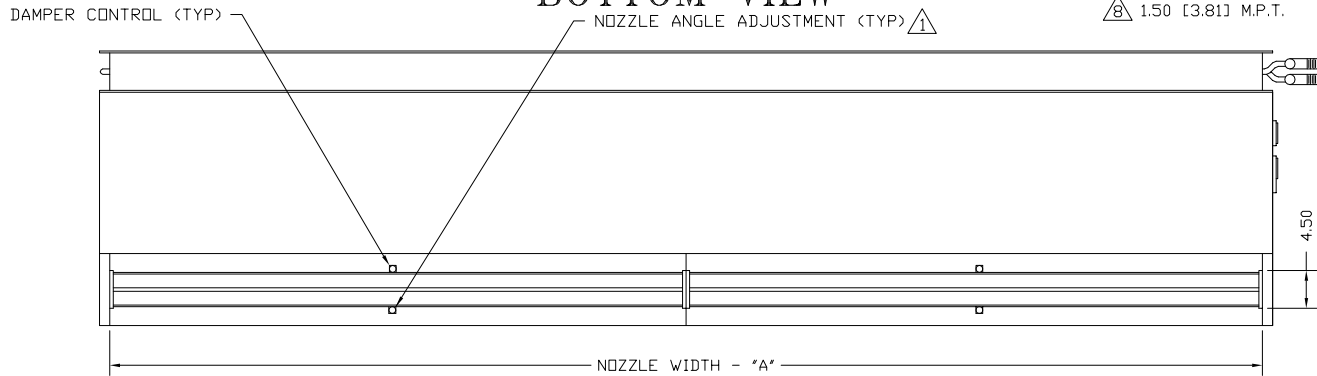
### TOP VIEW



### FRONT VIEW



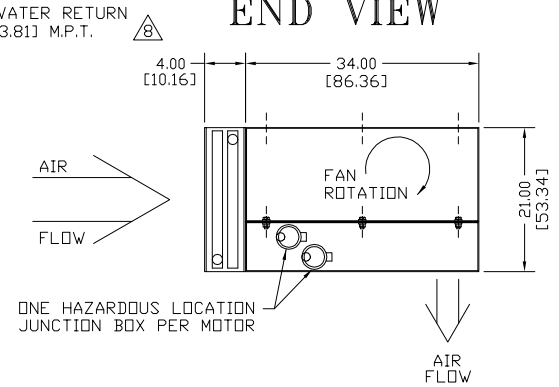
### BOTTOM VIEW



# HLC 16

## HOT WATER HEATED FRONT INTAKE SAME END SUP./RET. HAZARDOUS LOCATION

### END VIEW



MODEL	NOZZLE WIDTH "A"	MOUNTING WIDTH "B"	UNIT WIDTH "C"	OVERALL WIDTH "D"
HLC16-1060W-F	60.00 [152.40]	61.50 [156.21]	63.00 [160.02]	69.50 [176.53]
HLC16-1072W-F	72.00 [182.88]	73.50 [186.69]	75.00 [190.50]	81.50 [207.01]
HLC16-1084W-F	84.00 [213.36]	85.50 [217.17]	87.00 [220.98]	93.50 [237.49]
HLC16-1096W-F	96.00 [243.84]	97.50 [247.65]	99.00 [251.46]	105.50 [267.97]
HLC16-1108W-F	108.00 [274.32]	109.50 [278.13]	111.00 [281.94]	117.50 [298.45]
HLC16-1120W-F	117.00 [297.18]	118.50 [300.99]	120.00 [304.80]	126.50 [321.31]
HLC16-1132W-F	132.00 [335.28]	133.50 [339.09]	135.00 [342.90]	141.50 [359.41]
HLC16-1144W-F	144.00 [365.76]	145.50 [369.57]	147.00 [373.38]	153.50 [389.89]
HLC16-1156W-F	156.00 [396.24]	157.50 [400.05]	159.00 [403.86]	165.50 [420.37]
HLC16-2168W-F	168.00 [426.72]	169.50 [430.53]	171.00 [434.34]	177.50 [450.85]
HLC16-2180W-F	180.00 [457.20]	181.50 [461.01]	183.00 [464.82]	189.50 [481.33]
HLC16-2192W-F	192.00 [487.68]	193.50 [491.49]	195.00 [495.30]	201.50 [511.81]

### NOTES:

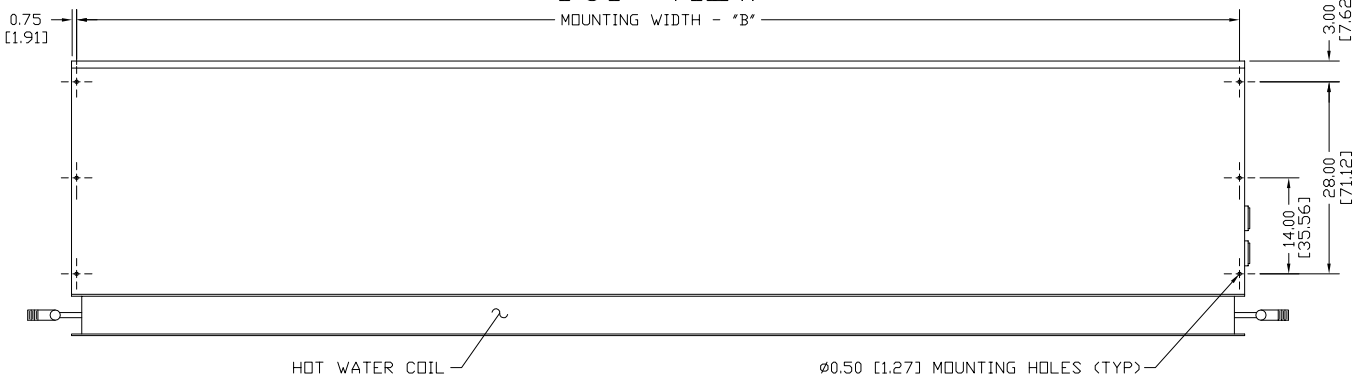
- ⚠ AIR CURTAIN MUST BE INSTALLED SO AIR STREAM IS NOT OBSTRUCTED WHEN DEFLECTED 20° TO EITHER SIDE OF C.
- ⚠ ELECTRICAL CONNECTIONS TO BE FLEXIBLE.
- ⚠ FIELD VERIFY DIMENSIONS.
- ⚠ ANCHORS TO SUPPORTING STRUCTURE BY OTHERS.
- ⚠ ADEQUACY OF SUPPORTING STRUCTURE IS TO BE VERIFIED BY A PROFESSIONAL STRUCTURAL ENGINEER.
- ⚠ LETTER "W" IN MODEL NUMBER DESIGNATES HOT WATER HEATED UNIT, THE "F" IS FOR FRONT INTAKE.
- ⚠ REMOTE OPTIONAL CONTROL PANEL AVAILABLE; NEMA 4/12 FOR NON HAZARDOUS LOCATION MOUNTING; NEMA 7/9 FOR HAZARDOUS LOCATION MOUNTING. PLEASE SPECIFY.
- ⚠ COIL CONNECTIONS AS SHOWN, OPPOSITE AND SAME END CONNECTIONS AVAILABLE, PLEASE SPECIFY.
- ⚠ DIMENSIONS IN INCHES [CENTIMETERS].

PROJECT		
LOCATION		
ARCHITECT		
ENGINEER		
DWG. NO.	HLC16-WTR3	TITLE: <b>BERNER</b>
DATE	17 JUNE 14	MODEL HLC16 AIR CURTAIN
BY	S. Beil	HAZARDOUS LOCATION FRONT INTAKE HOT WATER HEATED SYSTEM
REPLACES	-	
BY	-	BERNER INTERNATIONAL CORP. NEW CASTLE, PA.

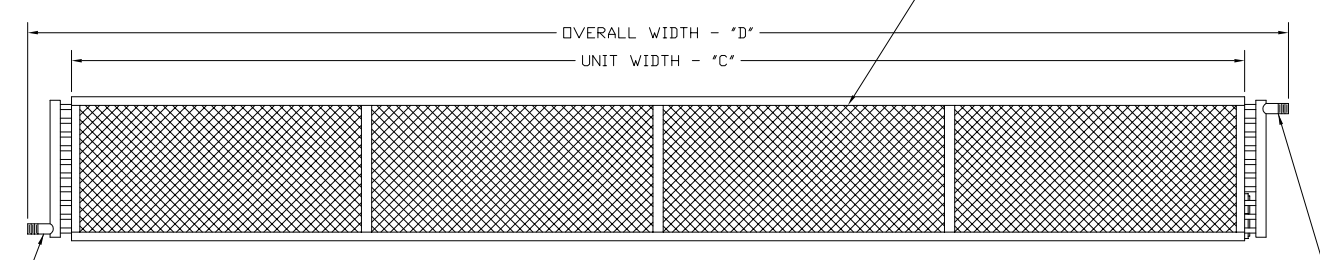
# HLC 16

HOT WATER HEATED  
FRONT INTAKE  
OPP. END SUP./RET.  
HAZARDOUS LOCATION

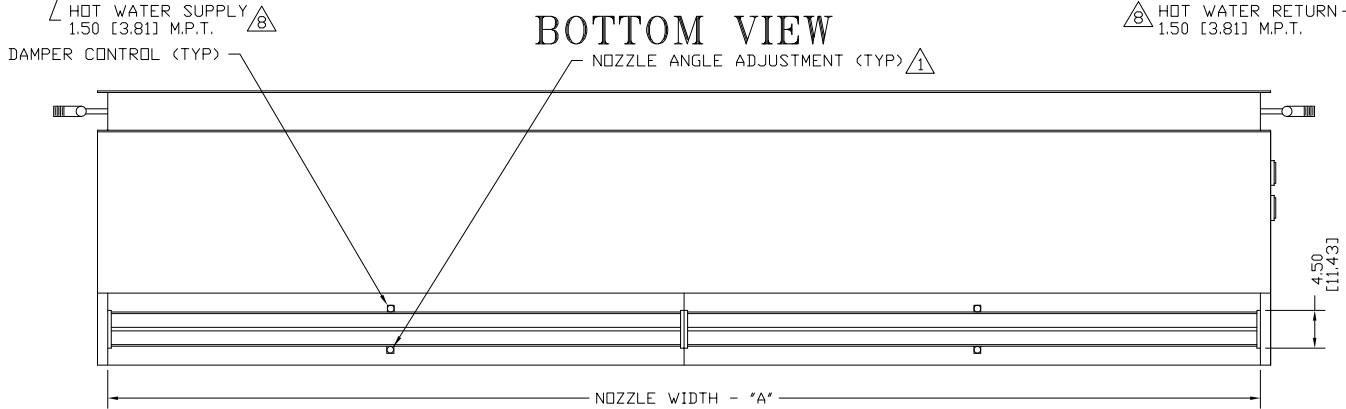
## TOP VIEW



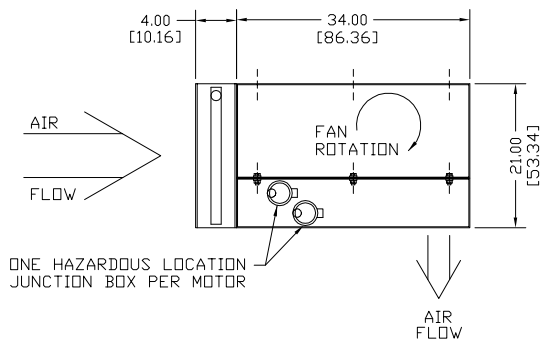
## FRONT VIEW



## BOTTOM VIEW



## END VIEW



MODEL	NOZZLE WIDTH "A"	MOUNTING WIDTH "B"	UNIT WIDTH "C"	OVERALL WIDTH "D"
HLC16-1060W-F	60.00 [152.40]	61.50 [156.21]	63.00 [160.02]	76.00 [193.04]
HLC16-1072W-F	72.00 [182.88]	73.50 [186.69]	75.00 [190.50]	88.00 [223.52]
HLC16-1084W-F	84.00 [213.36]	85.50 [217.17]	87.00 [220.98]	100.00 [254.00]
HLC16-1096W-F	96.00 [243.84]	97.50 [247.65]	99.00 [251.46]	112.00 [284.48]
HLC16-1108W-F	108.00 [274.32]	109.50 [278.13]	111.00 [281.94]	124.00 [314.96]
HLC16-1120W-F	117.00 [297.18]	118.50 [300.99]	120.00 [304.80]	133.00 [337.82]
HLC16-1132W-F	132.00 [335.28]	133.50 [339.09]	135.00 [342.90]	148.00 [375.92]
HLC16-1144W-F	144.00 [365.76]	145.50 [369.57]	147.00 [373.38]	160.00 [406.40]
HLC16-1156W-F	156.00 [396.24]	157.50 [400.05]	159.00 [403.86]	172.00 [436.88]
HLC16-2168W-F	168.00 [426.72]	169.50 [430.53]	171.00 [434.34]	184.00 [467.36]
HLC16-2180W-F	180.00 [457.20]	181.50 [461.01]	183.00 [464.82]	196.00 [497.84]
HLC16-2192W-F	192.00 [487.68]	193.50 [491.49]	195.00 [495.30]	208.00 [528.32]

## NOTES:

- ⚠ AIR CURTAIN MUST BE INSTALLED SO AIR STREAM IS NOT OBSTRUCTED WHEN DEFLECTED 20° TO EITHER SIDE OF C.
- ⚠ ELECTRICAL CONNECTIONS TO BE FLEXIBLE.
- ⚠ FIELD VERIFY DIMENSIONS.
- ⚠ ANCHORS TO SUPPORTING STRUCTURE BY OTHERS.
- ⚠ ADEQUACY OF SUPPORTING STRUCTURE IS TO BE VERIFIED BY A PROFESSIONAL STRUCTURAL ENGINEER.
- ⚠ LETTER "W" IN MODEL NUMBER DESIGNATES HOT WATER HEATED UNIT, THE "F" IS FOR FRONT INTAKE.
- ⚠ REMOTE OPTIONAL CONTROL PANEL AVAILABLE: NEMA 4/12 FOR NON HAZARDOUS LOCATION MOUNTING; NEMA 7/9 FOR HAZARDOUS LOCATION MOUNTING. PLEASE SPECIFY.
- ⚠ COIL CONNECTIONS AS SHOWN, OPPOSITE AND SAME END CONNECTIONS AVAILABLE, PLEASE SPECIFY.
- ⚠ DIMENSIONS IN INCHES [CENTIMETERS].

PROJECT		
LOCATION		
ARCHITECT		
ENGINEER		
DWG. NO.	HLC16-WTR4	TITLE: <b>BERNER</b>
DATE	17JUNE14	MODEL HLC16 AIR CURTAIN
BY	S. Beil	HAZARDOUS LOCATION FRONT INTAKE HOT WATER HEATED SYSTEM
REPLACES	-	
BY	-	BERNER INTERNATIONAL CORP. NEW CASTLE, PA.