

For Mounting Heights To 8' (environmental separation)

#### STANDARD CONSTRUCTION

- 7 1/2" high x 13 3/4" deep
- 1/5 hp motor(s) - ten speeds
- Factory installed Intelliswitch digital controller
- Clear satin anodized aluminum exterior  
(Optional: Custom Color or Stainless)
- Wall & Top Mounting
- High efficiency, low noise Pro-V Nozzle
- Factory installed coil
- Optional: Filter (washable)
- Optional: Wi-Fi Controller, works with Berner App

2 Year  
Limited  
Warranty



indoor use

| MODEL       | Nozzle Width (in) | Max Vel. at Nozzle (fpm) | Avg. Outlet Vel. (fpm) | Air Volume (cfm) | Outlet Vel. Uniformity | Power Rating (kW) | Motor(s) @ hp | Coil Output (MBH) | Entering / Leaving Water Temp. (°F) | Water Flow (GPM) | Fluid Pressure Drop (FT. WG.) | Air Temp. Rise (°F) | Net Wt. (lbs) |
|-------------|-------------------|--------------------------|------------------------|------------------|------------------------|-------------------|---------------|-------------------|-------------------------------------|------------------|-------------------------------|---------------------|---------------|
| ALC08-1030W | 28.00             | 3,100                    | 1,777                  | 691              | 89%                    | 0.18              | 1 @ 1/5       | 18.8              | 180° / 167°                         | 3.0              | 0.6                           | 25°                 | 56            |
| ALC08-1036W | 35.25             | 3,600                    | 2,116                  | 1,036            | 92%                    | 0.32              | 1 @ 1/5       | 28.1              | 180° / 168°                         | 5.0              | 1.7                           | 25°                 | 64            |
| ALC08-1042W | 41.25             | 3,000                    | 2,115                  | 1,212            | 93%                    | 0.32              | 1 @ 1/5       | 32.8              | 180° / 167°                         | 5.0              | 1.8                           | 25°                 | 72            |
| ALC08-1048W | 47.25             | 2,800                    | 2,104                  | 1,381            | 94%                    | 0.32              | 1 @ 1/5       | 38.5              | 180° / 167°                         | 6.0              | 2.6                           | 25°                 | 80            |
| ALC08-1060W | 59.00             | 3,100                    | 2,053                  | 1,682            | 95%                    | 0.32              | 1 @ 1/5       | 46.3              | 180° / 163°                         | 5.5              | 2.3                           | 25°                 | 95            |
| ALC08-1072W | 72.50             | 3,600                    | 2,058                  | 2,072            | 95%                    | 0.32              | 1 @ 1/5       | 56.8              | 180° / 161°                         | 6.0              | 2.9                           | 25°                 | 107           |
| ALC08-2084W | 84.25             | 3,000                    | 2,072                  | 2,424            | 93%                    | 0.64              | 2 @ 1/5       | 67.3              | 180° / 160°                         | 7.0              | 4.0                           | 25°                 | 134           |
| ALC08-2096W | 96.25             | 2,800                    | 2,066                  | 2,762            | 94%                    | 0.64              | 2 @ 1/5       | 76.8              | 180° / 159°                         | 7.5              | 4.8                           | 25°                 | 150           |
| ALC08-2120W | 119.75            | 3,100                    | 2,023                  | 3,364            | 95%                    | 0.64              | 2 @ 1/5       | 95.6              | 180° / 158°                         | 9.0              | 7.3                           | 26°                 | 178           |

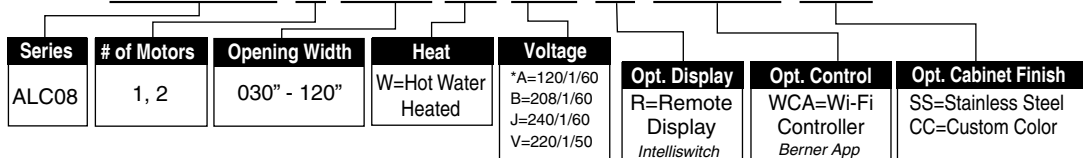
#### NOTES:

1. Operation at 50 Hz will generate approximately a 17% reduction in performance.
2. Performance data based on unheated units.
3. Coil performance based on 65°F entering air temperature.
4. Standard connection same end supply/return.
5. Coil should be field supplied with a solenoid valve that energizes only when air curtain is energized. Consideration must be taken for freeze protection when necessary.
6. Maximum leaving air temperature shall not exceed 120°F.
7. Consult factory for alternate entering air & water temperatures, GPM's, or vertically mounted units.

See sheet EP-206 for amp draws/total load requirements.

### MODEL NUMBER CONFIGURATION

## ALC08-1 030 W A -R-WCA-SS



\*Suitable for 50hz for Standard offering, leave options (Opt.) blank

Sound level measured 10' (3m) from the unit in free field:  
1 motor: Min./Max. Speed: 52/54 dBA  
2 motors: Min./Max. Speed: 55/57 dBA

Berner reserves the right to alter specifications without prior notice.



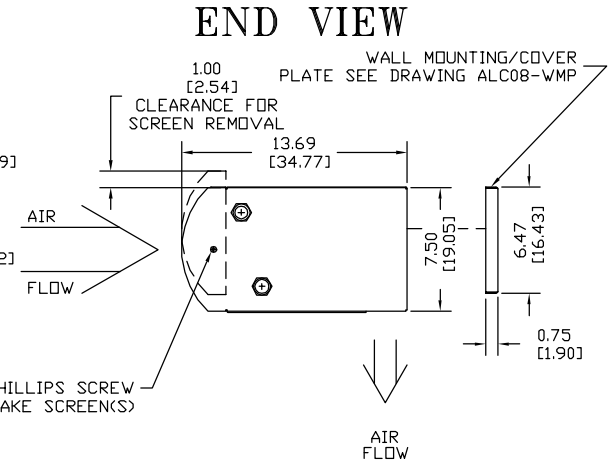
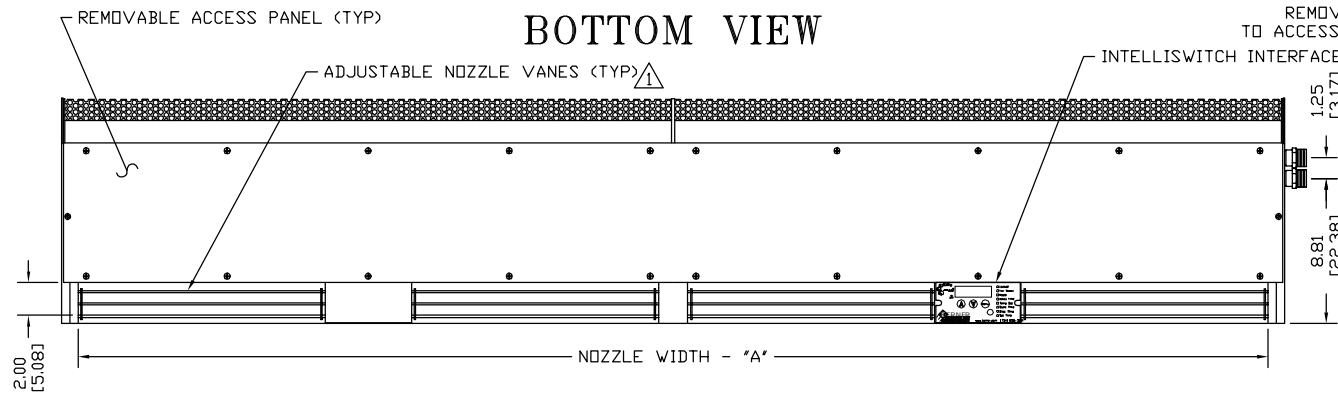
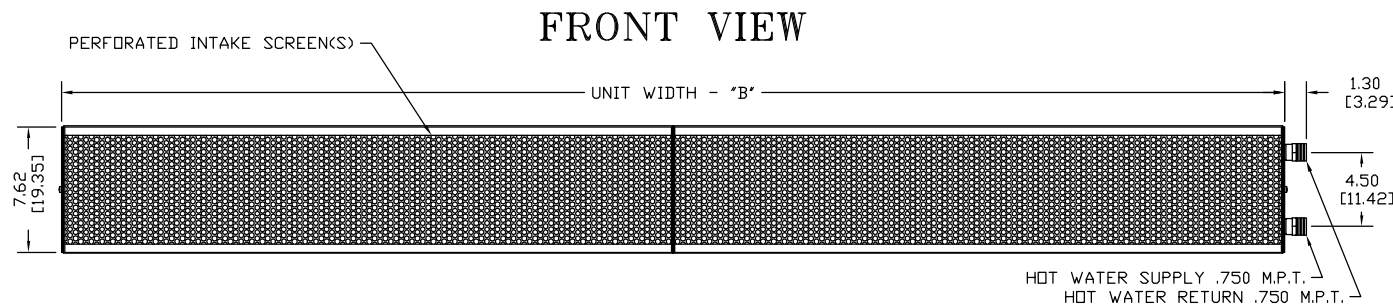
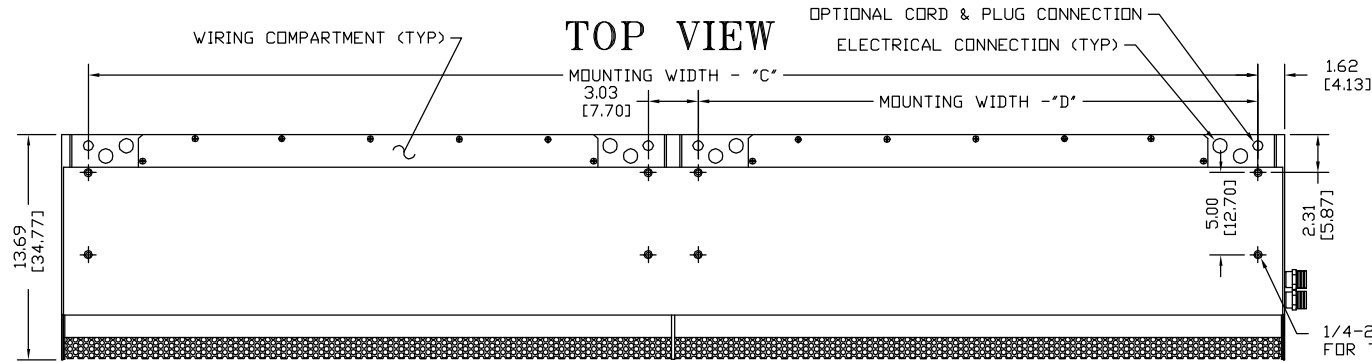
# ARCHITECTURAL LOW PROFILE 8

## Hot Water Heated Air Curtain Electrical Performance Sheet

| MODEL  | 120/1/60 (voltage code A)<br>MOTOR AMP DRAW = 3.4 each |                  |                               | 208/1/60 (voltage code B)<br>MOTOR AMP DRAW = 1.7 each |                  |                               | 240/1/60 (voltage code J) or<br>220/1/50 (voltage code V)<br>MOTOR AMP DRAW = 1.7 each |                  |                               |
|--|--|------------------|-------------------------------|--|------------------|-------------------------------|--|------------------|-------------------------------|
|  | #<br>CKTS  | AMPS PER CIRCUIT | BREAKER RATING<br>PER CIRCUIT | #<br>CKTS  | AMPS PER CIRCUIT | BREAKER RATING<br>PER CIRCUIT | #<br>CKTS  | AMPS PER CIRCUIT | BREAKER RATING<br>PER CIRCUIT |
| ALC08-1030W<br>ALC08-1036W<br>ALC08-1042W<br>ALC08-1048W<br>ALC08-1060W<br>ALC08-1072W | 1  | 3.4              | 15                            | 1  | 1.7              | 15                            | 1  | 1.7              | 15                            |
| ALC08-2084W<br>ALC08-2096W<br>ALC08-2120W  | 1  | 6.8              | 15                            | 1  | 3.4              | 15                            | 1  | 3.4              | 15                            |

*Berner reserves the right to alter specifications without prior notice.*

# ALC08 HOT WATER HEATED



## NOTES:

- 1 AIR CURTAIN MUST BE INSTALLED SO AIR STREAM IS NOT OBSTRUCTED WHEN DEFLECTED 20° TO EITHER SIDE OF C.
- 2 ELECTRICAL CONNECTIONS TO BE FLEXIBLE.
- 3 FIELD VERIFY DIMENSIONS.
- 4 ANCHORS TO SUPPORTING STRUCTURE BY OTHERS.
- 5 ADEQUACY OF SUPPORTING STRUCTURE IS TO BE VERIFIED BY A PROFESSIONAL STRUCTURAL ENGINEER.
- 6 LETTER "W" IN MODEL NUMBER DESIGNATES HOT WATER HEATED UNIT.
- △ DIMENSIONS IN INCHES (CENTIMETERS).

| MODEL △     | NOZZLE WIDTH "A" | UNIT WIDTH "B"  | MOUNTING WIDTH "C" | MOUNTING WIDTH "D" |
|-------------|------------------|-----------------|--------------------|--------------------|
| ALC08-1030W | 28.00 [71.12]    | 30.00 [76.20]   | 26.75 [67.95]      | -                  |
| ALC08-1036W | 35.25 [89.54]    | 37.25 [94.62]   | 34.00 [86.36]      | -                  |
| ALC08-1042W | 41.25 [104.78]   | 43.25 [109.86]  | 40.00 [101.60]     | -                  |
| ALC08-1048W | 47.25 [120.02]   | 49.25 [125.10]  | 46.00 [116.84]     | -                  |
| ALC08-1060W | 59.00 [149.86]   | 61.00 [154.94]  | 57.75 [146.69]     | -                  |
| ALC08-1072W | 72.25 [183.59]   | 74.25 [188.60]  | 71.00 [180.34]     | -                  |
| ALC08-2084W | 84.25 [213.00]   | 86.25 [219.08]  | 83.00 [210.82]     | 40.00 [101.60]     |
| ALC08-2096W | 96.25 [244.48]   | 98.25 [249.56]  | 95.00 [241.30]     | 46.00 [116.84]     |
| ALC08-2120W | 119.75 [304.17]  | 121.75 [309.25] | 118.50 [300.99]    | 57.75 [146.69]     |

|           |           |   |
|-----------|-----------|---|
| PROJECT   |           |   |
| LOCATION  |           |   |
| ARCHITECT |           |   |
| ENGINEER  |           |   |
| DWG. NO.  | ALC08-WTR | TITLE: <b>BERNER</b>                          |
| DATE      | 28MAR2016 | MODEL ALC08 AIR CURTAIN                       |
| BY        | S. Beil   | HOT WATER HEATED SYSTEM                       |
| REPLACES  | 21MAY14   |   |
| BY        | S. Beil   | BERNER INTERNATIONAL CORP.<br>NEW CASTLE, PA. |