



# ARCHITECTURAL HIGH PERFORMANCE 10

## Steam Heated Air Curtain

### Data Sheet

For Mounting Heights To 10' (environmental separation)

#### STANDARD CONSTRUCTION

- 12 ¼" high x 21 ¼" deep
- 1/2 hp motor(s) - ten speeds
- Factory installed Intelliswitch digital controller
- Clear satin anodized aluminum exterior (Optional: Custom Color or Stainless)
- Wall & Top Mounting
- High efficiency, low noise Pro-V Nozzle
- Factory installed coil
- Optional: Filter (washable)
- Optional: Wi-Fi Controller, works with the Berner App



Berner International certifies that the air curtains shown herein are licensed to bear the AMCA Seal. The ratings shown are based on tests and procedures performed in accordance with AMCA Publication 211 and comply with the requirements of the AMCA Certified Ratings Program. Rated data shown is for base (steam heated) units. The AMCA Certified Ratings Seal applies to airflow rate, average outlet velocity, outlet velocity uniformity, velocity projection and power rating at free delivery only.

**2 Year Limited Warranty**



indoor use

| MODEL       | Nozzle Width (in) | Max Vel. at Nozzle (fpm) | Avg. Outlet Vel. (fpm) | Air Volume (cfm) | Outlet Vel. Uniformity | Power Rating (kW) | Motor(s) @ hp | Coil Output (MBH) | Inlet Pressure (PSIG) | Condensate (lbs/hr) | Air Temp. Rise (°F) | Net Wt. (lbs) |
|-------------|-------------------|--------------------------|------------------------|------------------|------------------------|-------------------|---------------|-------------------|-----------------------|---------------------|---------------------|---------------|
| AHD10-1036S | 36.75             | 6,556                    | 2,183                  | 1,393            | 87%                    | 0.53              | 1 @ ½         | 56.5              | 5                     | 58.2                | 37°                 | 98            |
| AHD10-1042S | 42.75             | 7,182                    | 1,929                  | 1,432            | 68%                    | 0.54              | 1 @ ½         | 62.4              | 5                     | 64.3                | 40°                 | 104           |
| AHD10-1048S | 48.75             | 6,600                    | 1,718                  | 1,454            | 57%                    | 0.55              | 1 @ ½         | 67.5              | 5                     | 69.6                | 43°                 | 109           |
| AHD10-2060S | 60.75             | 7,300                    | 2,011                  | 2,121            | 76%                    | 0.84              | 2 @ ½         | 92.2              | 5                     | 95.0                | 40°                 | 171           |
| AHD10-2072S | 74.50             | 6,556                    | 2,154                  | 2,786            | 87%                    | 1.06              | 2 @ ½         | 117.3             | 5                     | 120.9               | 39°                 | 182           |
| AHD10-2084S | 86.50             | 7,182                    | 1,907                  | 2,864            | 68%                    | 1.08              | 2 @ ½         | 128.7             | 5                     | 132.7               | 41°                 | 198           |
| AHD10-2096S | 98.50             | 6,600                    | 1,701                  | 2,908            | 57%                    | 1.10              | 2 @ ½         | 138.5             | 5                     | 142.8               | 44°                 | 209           |
| AHD10-3108S | 112.25            | 6,556                    | 2,144                  | 4,179            | 87%                    | 1.59              | 3 @ ½         | 178.9             | 5                     | 184.4               | 40°                 | 241           |
| AHD10-3120S | 118.25            | 6,556                    | 2,055                  | 4,218            | 68%                    | 1.60              | 3 @ ½         | 184.6             | 5                     | 190.3               | 40°                 | 249           |

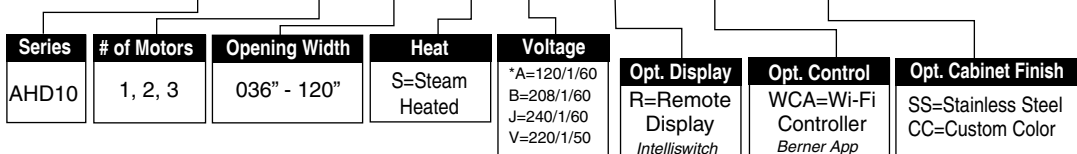
#### NOTES:

1. Operation at 50 Hz will generate approximately a 17% reduction in performance.
2. Coil performance based on 65°F entering air temperature.
3. Standard connection same end supply/return.
4. Coil should be field supplied with a solenoid valve that energizes only when air curtain is energized. Consideration must be taken for freeze protection when necessary.
5. Maximum leaving air temperature shall not exceed 120°F.
6. Consult factory for alternate steam pressures or vertically mounted units.

See sheet EP-214 for amp draws/total load requirements.

### MODEL NUMBER CONFIGURATION

**AHD10-1 036 S A -R-WCA-SS**



\*Suitable for 50hz for Standard offering, leave options (Opt.) blank

| VELOCITY PROJECTION: Model AHD10-1036S |      |      |      |      |      |
|--|------|------|------|------|------|
| Distance from Nozzle (in)              | 40   | 80   | 120  | 160  | 200  |
| Core Velocity (fpm)                    | 2511 | 1689 | 1500 | 1189 | 1056 |
| Uniformity (%)                         | 94   | 96   | 92   | 93   | 93   |

Sound level measured 10' (3m) from the unit in free field:

- 1 motor: Min./Max. Speed: 53/56 dBA
- 2 motors: Min./Max. Speed: 56/59 dBA
- 3 motors: Min./Max. Speed: 59/62 dBA

Sound data is not AMCA certified.

Berner reserves the right to alter specifications without prior notice.

**www.berner.com Berner International 800.245.4455**  
111 Progress Ave. / New Castle / PA / 16101 / USA

DS-214D  
April, 2018



# ARCHITECTURAL HIGH PERFORMANCE 10

## Steam Heated Air Curtain Electrical Performance Sheet

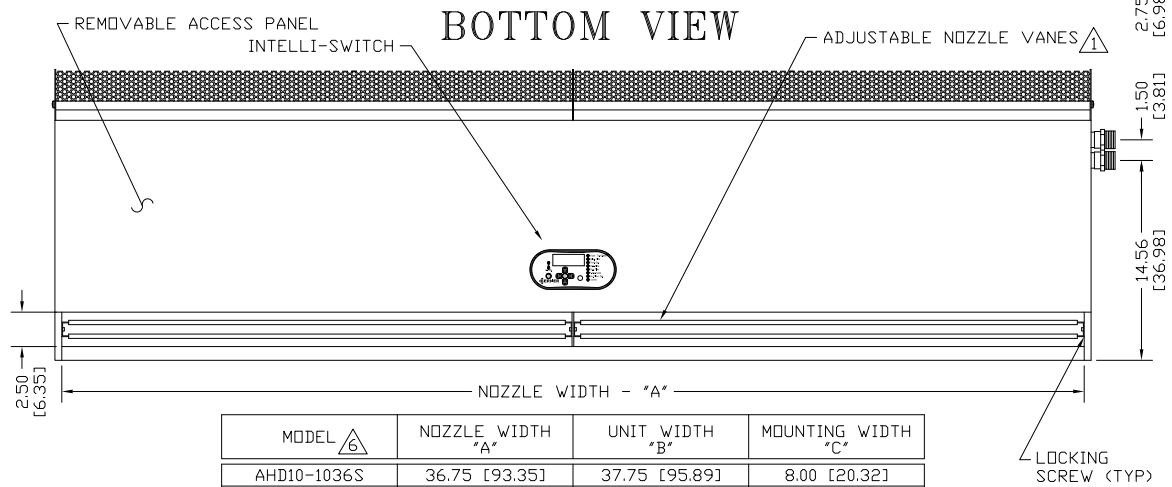
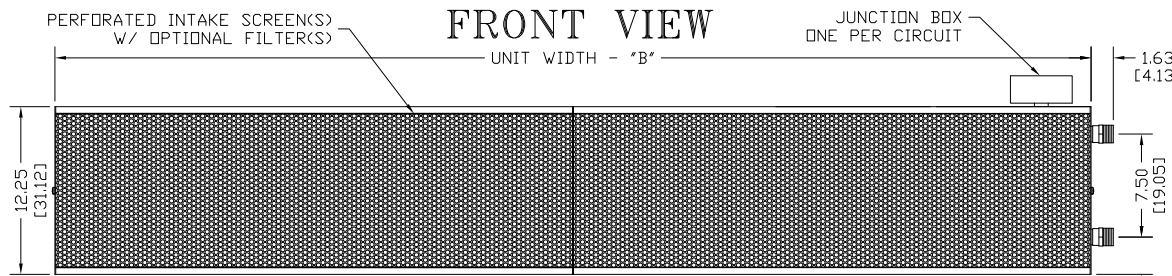
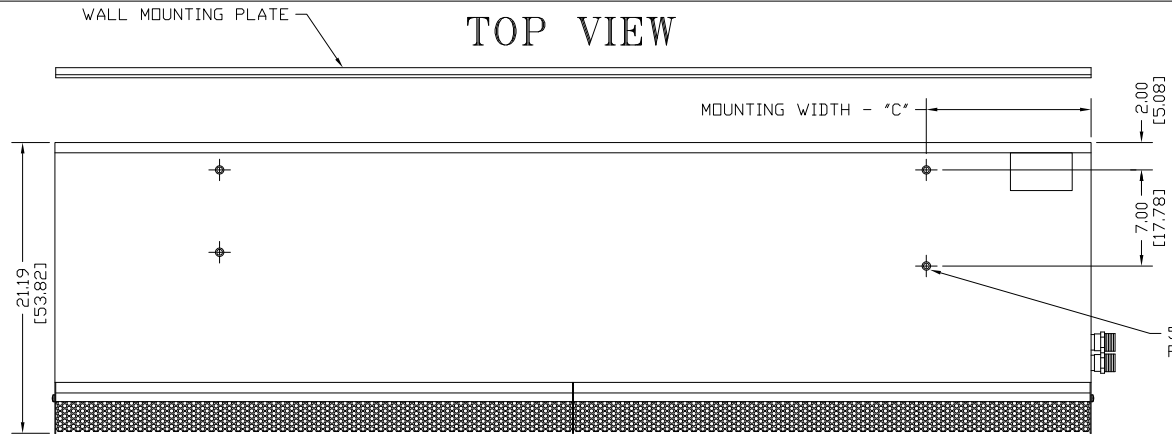
| MODEL  | # CKTS | 120/1/60 (voltage code A)<br>MOTOR AMP DRAW = 8.5 each |                            | # CKTS | 208/1/60 (voltage code B)<br>MOTOR AMP DRAW = 4.3 each |                            | # CKTS | 240/1/60 (voltage code J) or<br>220/1/50 (voltage code V)<br>MOTOR AMP DRAW = 4.3 each |                            |
|--|--------|--|----------------------------|--------|--|----------------------------|--------|--|----------------------------|
|  |        | AMPS PER CIRCUIT                                       | BREAKER RATING PER CIRCUIT |        | AMPS PER CIRCUIT                                       | BREAKER RATING PER CIRCUIT |        | AMPS PER CIRCUIT   | BREAKER RATING PER CIRCUIT |
| AHD10-1036S<br>AHD10-1042S<br>AHD10-1048S                | 1      | 8.5  | 15                         | 1      | 4.3  | 15                         | 1      | 4.3  | 15                         |
| AHD10-2060S<br>AHD10-2072S<br>AHD10-2084S<br>AHD10-2096S | 1      | 17.0   | 20                         | 1      | 8.6  | 15                         | 1      | 8.6  | 15                         |
| AHD10-3108S<br>AHD10-3120S                               | 1      | 25.5   | 30                         | 1      | 12.9   | 20                         | 1      | 12.9   | 20                         |

*Berner reserves the right to alter specifications without prior notice.*

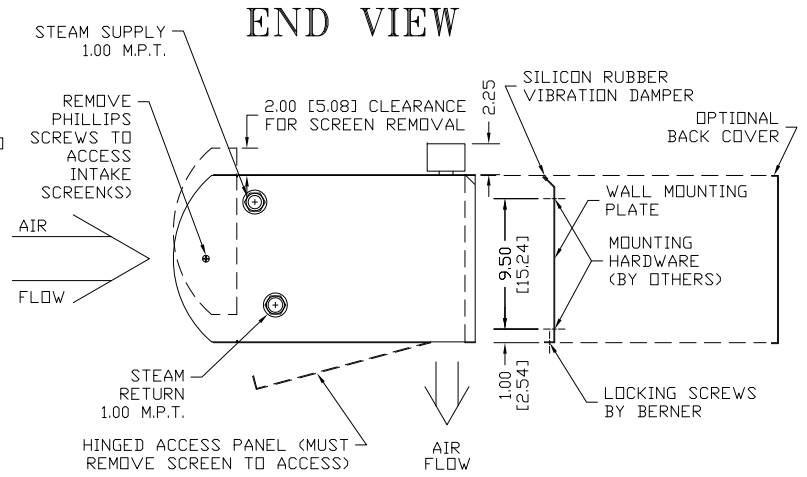
**www.berner.com Berner International 800.245-4455**  
111 Progress Ave. / New Castle / PA / 16101 / USA

EP-214  
June, 2017

# AHD10 STEAM HEATED



| MODEL <sup>△</sup> | NOZZLE WIDTH<br>"A" | UNIT WIDTH<br>"B" | MOUNTING WIDTH<br>"C" |
|--------------------|---------------------|-------------------|-----------------------|
| AHD10-1036S        | 36.75 [93.35]       | 37.75 [95.89]     | 8.00 [20.32]          |
| AHD10-1042S        | 42.75 [108.59]      | 43.75 [111.13]    | 8.00 [20.32]          |
| AHD10-1048S        | 48.75 [123.83]      | 49.75 [126.37]    | 10.00 [25.40]         |
| AHD10-2060S        | 60.75 [153.31]      | 61.75 [156.85]    | 8.00 [20.32]          |
| AHD10-2072S        | 74.50 [189.23]      | 75.50 [191.77]    | 12.00 [30.48]         |
| AHD10-2084S        | 86.50 [219.71]      | 87.50 [222.25]    | 12.00 [30.48]         |
| AHD10-2096S        | 98.50 [250.19]      | 99.50 [252.73]    | 27.00 [68.58]         |
| AHD10-3108S        | 112.25 [285.12]     | 113.25 [287.66]   | 27.00 [68.58]         |
| AHD10-3120S        | 118.25 [300.36]     | 119.25 [302.90]   | 27.00 [68.58]         |



## NOTES:

- 1 AIR CURTAIN MUST BE INSTALLED SO AIR STREAM IS NOT OBSTRUCTED WHEN DEFLECTED 20° TO EITHER SIDE OF C.
- 2 ELECTRICAL CONNECTIONS TO BE FLEXIBLE.
- 3 FIELD VERIFY DIMENSIONS.
- 4 ANCHORS TO SUPPORTING STRUCTURE BY OTHERS.
- 5 ADEQUACY OF SUPPORTING STRUCTURE IS TO BE VERIFIED BY A PROFESSIONAL STRUCTURAL ENGINEER.
- 6 LETTER "S" IN MODEL NUMBER DESIGNATES STEAM HEATED UNIT.
- △ DIMENSIONS IN INCHES (CENTIMETERS).

|           |           |                            |
|-----------|-----------|----------------------------|
| PROJECT   |           |                            |
| LOCATION  |           |                            |
| ARCHITECT |           |                            |
| ENGINEER  |           |                            |
| DWG. NO.  | AHD10-STM | TITLE: <b>BERNER</b>       |
| DATE      | 30MAY2017 | MODEL AHD10 AIR CURTAIN    |
| BY        | S. Beil   | STEAM HEATED SYSTEM        |
| REPLACES  | 31MAR2017 | BERNER INTERNATIONAL CORP. |
| BY        | S. Beil   | NEW CASTLE, PA.            |