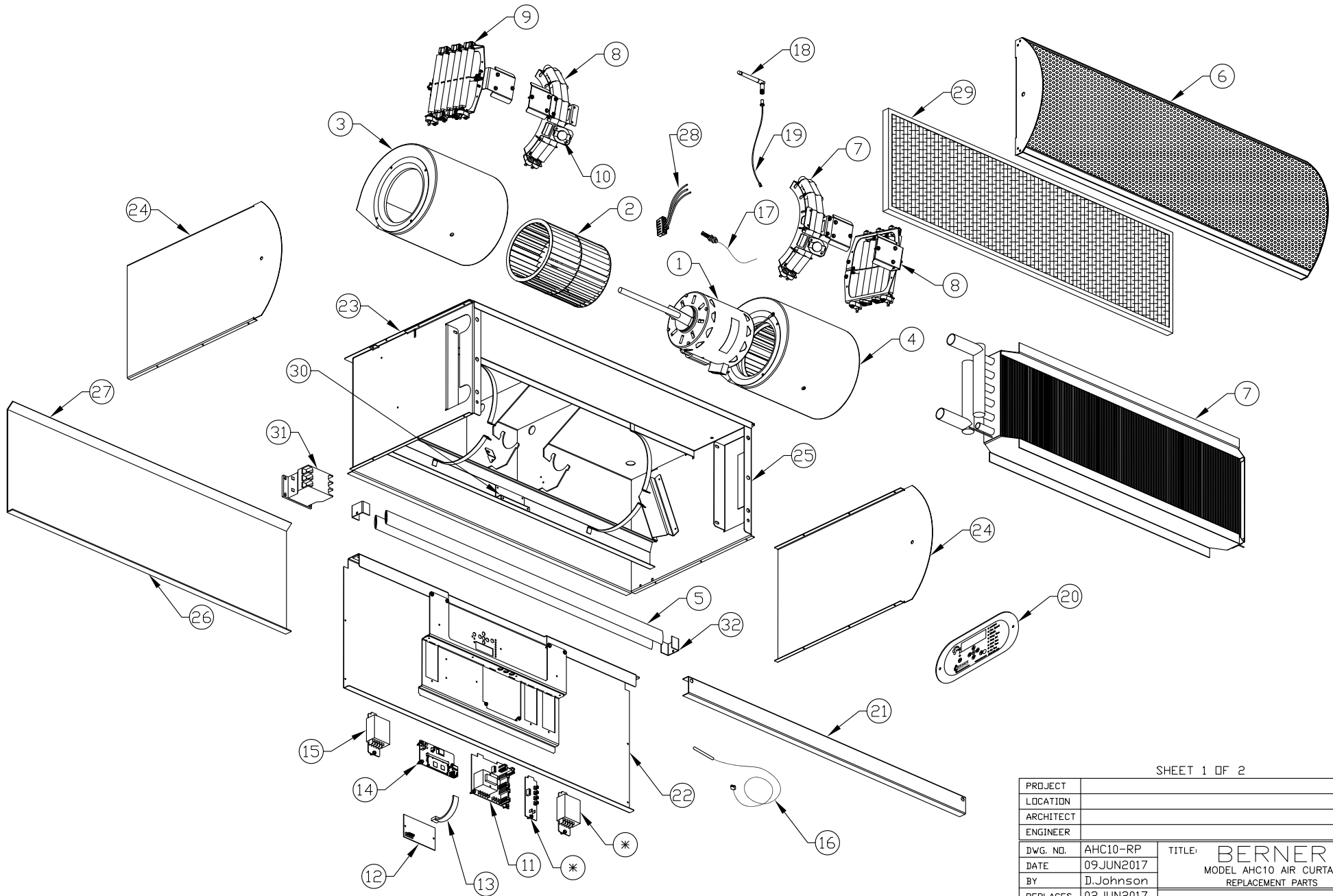


# AHD10-RP REPLACEMENT PARTS



SHEET 1 OF 2

PROJECT		
LOCATION		
ARCHITECT		
ENGINEER		REV. -
DWG. NO.	AHC10-RP	TITLE: <b>BERNER</b>
DATE	09JUN2017	MODEL AHC10 AIR CURTAIN
BY	D. Johnson	REPLACEMENT PARTS
REPLACES	02JUN2017	BERNER INTERNATIONAL CORP. NEW CASTLE, PA.
BY	S. Beil	

# AHD10-RP

## REPLACEMENT PARTS

ITEM	DESCRIPTION	PART #
1	MOTOR, 1/2 HP, (120-208/240V, 1 PH)	011F2048F1X18C-INT
2	BLOWER WHEEL ONLY	0204063112L
3	BLOWER HOUSING ONLY	04M631G-L
4	BLOWER ASSEMBLY	29B631M012G-L
5	OUTLET NOZZLE VANE (specify vane length - inches)	06ALM516ARF-121
6	INLET SCREEN ASSEMBLY (specify length - inches)	08MK2***ISA
7	STEAM/HOT WATER COIL (specify length - inches)	10S**09F108S
8	ELEC. VENTURI HEATER ELEM. - INNER (specify kW & voltage)	11VTH***-H*
9	ELEC. VENTURI HEATER ELEM. - OUTER (specify kW & voltage)	11VTH***-F*
10	THERMAL CUT OUT	36A140-110-90
11	INTELLISWITCH CONTROL BOARD GEN3 - (1 motor)	33G008S-CB1-INT-3
11	INTELLISWITCH CONTROL BOARD GEN3 - (2 motor)	33G008S-CB2-INT-3
11	INTELLISWITCH CONTROL BOARD GEN3 - (3 motor)	33G008S-CB3-INT-3
12	INTELLISWITCH DISPLAY BOARD GEN2	33G000S-DB-INT-2
13	INTELLISWITCH DISPLAY 24" RIBBON CABLE	505RC002INT-B
14	INTELLISWITCH GEN3 WIFI SERIES "A" BOARD	33G000S-WCA-INT-3
15	INTELLISWITCH WIFI SERIES "A" POWER SUPPLY	9020DC005V015W-C
16	INTELLISWITCH THERMOSTAT PROBE - 72" STANDARD	9502G072-A
16	INTELLISWITCH THERMOSTAT PROBE - 144"	9502G144-A
17	INTELLISWITCH PROXIMITY SENSOR	9506ND008-NPN-TA
18	INTELLISWITCH WIFI ANTENNA 2.4G	9022ADW024G2DB-F109
19	INTELLISWITCH WIFI ANTENNA CABLE - 72"	505AC006WF-INT-3
20	INTELLISWITCH REMOTE DISPLAY MOUNT	55ZPRINT-R-3
-	INTELLISWITCH REMOTE DISPLAY CABLE - 20ft (not pictured)	505RC020INT-B
-	INTELLISWITCH HANDHELD IR REMOTE (not pictured)	33G000RC-2
21	CROSSBAR (specify length - inches)	40MK2***CB
22	COVER BOTTOM ACCESS ASSM (specify length - inches)	43MK3***BAC
23	COVER TOP (specify length - inches)	40MK2***TC
24	COVER END PLATE - UNIVERSAL	40MK2000CVR-U
25	WELDED MAIN (FRAME) CHANNEL (specify length - inches)	40MK3***MC-1A1
26	WALL MOUNTING PLATE ONLY (specify length - inches)	40MK-***WMP
27	VIBRATION STRIP (specify length - inches)	21UCHNL
28	MOTOR WIRING HARNESS, 1/2 HP, (120V)	505WH115ARA
28	MOTOR WIRING HARNESS, 1/2 HP, (208/240V)	505WH230LWA
29	FILTERS (specify length - inches)	80MK29**01TA
30	CONTACTOR MOUNTING PLATE	40MK3000CMP-H
31	CONTACTOR 40 AMP 3 POLE, (120V)	9010DP40A3P120
31	CONTACTOR 40 AMP 3 POLE, (208/240V)	9010DP40A3P208
32	NOZZEL VANE CLIP	40GEN-NVC
-	REMOTE THERMOSTAT (not pictured)	9502DS2T-P

\*\*\*\* SPECIFY KW & VOLTAGE

\*\*\* SPECIFY LENGTH (IN INCHES)

SHEET 2 OF 2

PROJECT			
LOCATION			
ARCHITECT			
ENGINEER			REV.   -
DWG. NO.	AHC10-RP	TITLE:	<b>BERNER</b> MODEL AHC10 AIR CURTAIN REPLACEMENT PARTS
DATE	09JUN2017		
BY	D.Johnson		
REPLACES	02JUN2017		
BY	S. Beil		BERNER INTERNATIONAL CORP. NEW CASTLE, PA.