



INDUSTRIAL DIRECT DRIVE 12

Positive Indirect Gas Heated Air Curtain

Data Sheet

For Mounting Heights To 12' (environmental separation)

STANDARD CONSTRUCTION

- ½ hp single speed motor(s) - direct drive (Optional: three-speed)
- Gray powder coated exterior with mill aluminum screen and access panels (Optional: Custom Color or Stainless)
- Top Mounting only
- Front air intake (Optional: top)
- High efficiency Pro-V Nozzle

- Factory mounted duct transition with bottom access panels
- Field installed cETLus & AHRI Certified indirect gas heater(s):
 - Aluminized steel heat exchanger (Optional: Stainless)
 - Steel cabinet with beige finish
 - Spark ignited pilot
 - Power venter
 - Separate 120V power supply required (Optional: transformer for single point connection)

2 Year Limited Warranty



MODEL	Nozzle Width (in)	Max Vel. at Nozzle (fpm)	Avg. Outlet Vel. (fpm)	Air Volume (cfm)	Outlet Vel. Uniformity	Power Rating (kW)	Motor(s) @ hp	Heater(s) @ Input (MBH)	Total Heater Output (MBH)	Air Temp. Rise (°F)	Net Wt. Air Curtain (lbs)	Net Wt. Duct Trans. (lbs)	Net Wt. Heater (lbs)
IDC12-1036G	36.00	5,166	1,728	1,512	87%	0.51	1 @ 1/2	1 @ 100.0	83.0	51°	100	85	135
IDC12-1042G	42.00	5,550	1,551	1,583	89%	0.52	1 @ 1/2	1 @ 100.0	83.0	48°	106	92	135
IDC12-1048G	48.00	5,292	1,366	1,594	78%	0.53	1 @ 1/2	1 @ 100.0	83.0	48°	111	99	135
IDC12-1060G	66.00	5,079	1,019	1,634	74%	0.54	1 @ 1/2	1 @ 100.0	83.0	47°	122	122	135
IDC12-2060G	66.00	4,781	2,010	2,931	85%	0.99	2 @ 1/2	1 @ 150.0	124.5	39°	169	122	157
IDC12-2072G	72.00	5,166	1,728	3,024	87%	1.02	2 @ 1/2	1 @ 150.0	124.5	38°	178	129	157
IDC12-2078G	78.00	5,166	1,633	3,095	87%	1.03	2 @ 1/2	1 @ 150.0	124.5	37°	184	137	157
IDC12-2084G	84.00	5,550	1,551	3,166	89%	1.04	2 @ 1/2	1 @ 150.0	124.5	36°	189	144	157
IDC12-2096G	99.00	5,292	1,366	3,188	78%	1.06	2 @ 1/2	1 @ 150.0	124.5	36°	199	163	157
IDC12-3096G	99.00	4,781	1,846	4,443	85%	1.50	3 @ 1/2	1 @ 200.0	166.0	34°	240	157	204
IDC12-2108G	108.00	5,079	1,230	3,228	74%	1.07	2 @ 1/2	1 @ 150.0	124.5	36°	242	174	157
IDC12-3108G	108.00	5,166	1,728	4,536	87%	1.53	3 @ 1/2	1 @ 200.0	166.0	34°	283	168	204
IDC12-2120G	117.00	5,079	1,149	3,268	74%	1.08	2 @ 1/2	1 @ 150.0	124.5	35°	249	185	157
IDC12-3120G	117.00	5,166	1,604	4,678	87%	1.55	3 @ 1/2	1 @ 200.0	166.0	33°	290	179	204
IDC12-3132G	132.00	5,292	1,484	4,760	78%	1.57	3 @ 1/2	1 @ 200.0	166.0	32°	311	198	204
IDC12-3144G	144.00	5,292	1,366	4,782	78%	1.59	3 @ 1/2	1 @ 200.0	166.0	32°	325	213	204
IDC12-4144G	144.00	5,166	1,728	6,048	87%	2.04	4 @ 1/2	1 @ 250.0	207.5	32°	366	213	214
IDC12-4156G	156.00	5,166	1,633	6,190	87%	2.06	4 @ 1/2	2 @ 150.0	249.0	37°	382	242	2 @ 157
IDC12-4168G	168.00	5,550	1,551	6,332	89%	2.08	4 @ 1/2	2 @ 150.0	249.0	36°	394	256	2 @ 157
IDC12-4180G	180.00	5,292	1,452	6,354	78%	2.10	4 @ 1/2	2 @ 150.0	249.0	36°	407	271	2 @ 157
IDC12-5180G	180.00	5,166	1,728	7,560	87%	2.55	5 @ 1/2	2 @ 175.0	290.5	35°	448	260	2 @ 194
IDC12-4192G	192.00	5,292	1,366	6,376	78%	2.12	4 @ 1/2	2 @ 150.0	249.0	36°	419	286	2 @ 157
IDC12-5192G	192.00	5,292	1,635	7,631	78%	2.56	5 @ 1/2	2 @ 175.0	290.5	35°	436	275	2 @ 194

NOTES:

1. Operation at 50 Hz will generate approximately a 17% reduction in performance.
2. Performance data based on AMCA licensed data from unheated units.
3. Maximum leaving air temperature shall not exceed 120°F.
4. Duct transition is factory mounted to air curtain and requires individual support.
5. Gas heater(s) shall not be directly connected to transition and require individual support.
6. Maximum gas supply pressure: 1/2 psi, 8 ounces, or 14 inches water column.
7. Vertically mounted indirect gas heated air curtain not available.

Berner does not recommend IDC12-1060G, IDC12-2108G and IDC12-2120G, exist only as an equivalent to competitors' models.

See sheet EP-408 for amp draws/total load requirements.

MODEL NUMBER CONFIGURATION

IDC12-1 036 G A-F-SS

Series	# of Motors	Opening Width	Heat	Voltage	Intake	Opt. Cabinet Finish
IDC12	1, 2, 3, 4, 5	036" - 192"	G=Indirect Gas Heated	*A=120/1/60 B=208/1/60 J=240/1/60 V=220/1/50 X=208/3/60 Y=240/3/60 Z=480/3/60 Q=600/3/60 O=380/3/50	F=Front	SS=Stainless Steel CC=Custom Color

*Suitable for 50hz

Sound level measured 10' (3m) from the unit in free field:
1, 2, 3, 4 & 5 motor(s): 63 dBA, 66 dBA, 68 dBA, 69 dBA & 70 dBA

Berner reserves the right to alter specifications without prior notice.



INDUSTRIAL DIRECT DRIVE 12

**Positive Indirect Gas Heated Air Curtain
Electrical Performance Sheet**

		120/1/60 (voltage code A)									
		120V MOTOR AMP DRAW = 6.5 each									
		MULTIPLE CKT - MOTOR PANEL & HEATER						SINGLE CKT - MOTOR PANEL & XFMR FOR HEATER			
MODEL	HEATER MBH	Temp Rise °F	# CKTS	AMPS PER CIRCUIT		BREAKER RATING PER CIRCUIT		# CKTS	XFMR KVA	AMPS PER CIRCUIT (including XFMR)	BREAKER RATING PER CIRCUIT
				MOTOR 120V CKT	HEATER 120V CKT	MOTOR 120V CKT	HEATER 120V CKT				
IDC12-1036G IDC12-1042G IDC12-1048G IDC12-1060G	1 @ 100	48.5	2	6.5	6.4	15	15	N/A	N/A	N/A	N/A
IDC12-2060G IDC12-2072G IDC12-2078G IDC12-2084G IDC12-2096G IDC12-2108G IDC12-2120G	1 @ 150	37	2	13.0	6.9	20	15	N/A	N/A	N/A	N/A
IDC12-3096G IDC12-3108G IDC12-3120G IDC12-3132G IDC12-3144G	1 @ 200	33	2	19.5	8.0	30	15	N/A	N/A	N/A	N/A
IDC12-4144G	1 @ 250	32	2	26.0	8.0	35	15	N/A	N/A	N/A	N/A
IDC12-4156G IDC12-4168G IDC12-4180G IDC12-4192G	2 @ 150	36	3	26.0	6.9/6.9	35	15/15	N/A	N/A	N/A	N/A
IDC12-5180G IDC12-5192G	2 @ 175	35	3	32.5	8.0/8.0	45	15/15	N/A	N/A	N/A	N/A



INDUSTRIAL DIRECT DRIVE 12

Positive Indirect Gas Heated Air Curtain
Electrical Performance Sheet

208/1/60 (voltage code B)
208V MOTOR AMP DRAW = 3.5 each

MODEL	HEATER MBH	Temp Rise °F	# CKTS	MULTIPLE CKT - MOTOR PANEL & HEATER				SINGLE CKT - MOTOR PANEL & XFMR FOR HEATER			
				AMPS PER CIRCUIT		BREAKER RATING PER CIRCUIT		# CKTS	XFMR KVA	AMPS PER CIRCUIT (including XFMR)	BREAKER RATING PER CIRCUIT
				MOTOR 208V CKT	HEATER 120V CKT	MOTOR 208V CKT	HEATER 120V CKT				
IDC12-1036G IDC12-1042G IDC12-1048G IDC12-1060G	1 @ 100	48.5	2	3.5	6.4	15	15	1	1	8.3	15
IDC12-2060G IDC12-2072G IDC12-2078G IDC12-2084G IDC12-2096G IDC12-2108G IDC12-2120G	1 @ 150	37	2	7.0	6.9	15	15	1	1	11.8	15
IDC12-3096G IDC12-3108G IDC12-3120G IDC12-3132G IDC12-3144G	1 @ 200	33	2	10.5	8.0	15	15	1	1	15.3	20
IDC12-4144G	1 @ 250	32	2	14.0	8.0	20	15	1	1	18.8	25
IDC12-4156G IDC12-4168G IDC12-4180G IDC12-4192G	2 @ 150	36	3	14.0	6.9/6.9	20	15/15	1	2	23.6	30
IDC12-5180G IDC12-5192G	2 @ 175	35	3	17.5	8.0/8.0	25	15/15	1	2	27.1	35



INDUSTRIAL DIRECT DRIVE 12

**Positive Indirect Gas Heated Air Curtain
Electrical Performance Sheet**

240/1/60 (voltage code J) or
220/1/50 (voltage code V)
240V MOTOR AMP DRAW = 3.5 each

MULTIPLE CKT - MOTOR PANEL & HEATER **SINGLE CKT - MOTOR PANEL & XFMR FOR HEATER**

MODEL	HEATER MBH	Temp Rise °F	# CKTS	AMPS PER CIRCUIT				BREAKER RATING PER CIRCUIT							
				MOTOR 240V CKT		HEATER 120V CKT		MOTOR 240V CKT		HEATER 120V CKT		# CKTS	XFMR KVA	AMPS PER CIRCUIT (including XFMR)	BREAKER RATING PER CIRCUIT
IDC12-1036G IDC12-1042G IDC12-1048G IDC12-1060G	1 @ 100	48.5	2	3.5	6.4	15	15	1	1	7.7	15				
IDC12-2060G IDC12-2072G IDC12-2078G IDC12-2084G IDC12-2096G IDC12-2108G IDC12-2120G	1 @ 150	37	2	7.0	6.9	15	15	1	1	11.2	15				
IDC12-3096G IDC12-3108G IDC12-3120G IDC12-3132G IDC12-3144G	1 @ 200	33	2	10.5	8.0	15	15	1	1	14.7	20				
IDC12-4144G	1 @ 250	32	2	14.0	8.0	20	15	1	1	18.2	25				
IDC12-4156G IDC12-4168G IDC12-4180G IDC12-4192G	2 @ 150	36	3	14.0	6.9/6.9	20	15/15	1	2	22.3	30				
IDC12-5180G IDC12-5192G	2 @ 175	35	3	17.5	8.0/8.0	25	15/15	1	2	25.8	35				

Berner reserves the right to alter specifications without prior notice.



INDUSTRIAL DIRECT DRIVE 12

**Positive Indirect Gas Heated Air Curtain
Electrical Performance Sheet**

208/3/60 (voltage code X) 208V MOTOR AMP DRAW = 3.5 each											
MODEL	HEATER MBH Temp Rise °F		MULTIPLE CKT - MOTOR PANEL & HEATER					SINGLE CKT - MOTOR PANEL & XFMR FOR HEATER			
			# CKTS	AMPS PER CIRCUIT		BREAKER RATING PER CIRCUIT		# CKTS	XFMR KVA	AMPS PER CIRCUIT (including XFMR)	BREAKER RATING PER CIRCUIT
				MOTOR 208V CKT	HEATER 120V CKT	MOTOR 208V CKT	HEATER 120V CKT				
IDC12-1036G IDC12-1042G IDC12-1048G IDC12-1060G	1 @ 100	48.5	2	3.5	6.4	15	15	1	1	8.3	15
IDC12-2060G IDC12-2072G IDC12-2078G IDC12-2084G IDC12-2096G IDC12-2108G IDC12-2120G	1 @ 150	37	2	7.0	6.9	15	15	1	1	11.8	15
IDC12-3096G IDC12-3108G IDC12-3120G IDC12-3132G IDC12-3144G	1 @ 200	33	2	10.5	8.0	15	15	1	1	15.3	20
IDC12-4144G	1 @ 250	32	2	14.0	8.0	20	15	1	1	18.8	25
IDC12-4156G IDC12-4168G IDC12-4180G IDC12-4192G	2 @ 150	36	3	14.0	6.9/6.9	20	15/15	1	2	23.6	30
IDC12-5180G IDC12-5192G	2 @ 175	35	3	17.5	8.0/8.0	25	15/15	1	2	27.1	35

Berner reserves the right to alter specifications without prior notice.



INDUSTRIAL DIRECT DRIVE 12

**Positive Indirect Gas Heated Air Curtain
Electrical Performance Sheet**

		240/3/60 (voltage code Y)									
		240V MOTOR AMP DRAW = 3.5 each									
		MULTIPLE CKT - MOTOR PANEL & HEATER						SINGLE CKT - MOTOR PANEL & XFMR FOR HEATER			
MODEL	HEATER MBH	Temp Rise °F	# CKTS	AMPS PER CIRCUIT		BREAKER RATING PER CIRCUIT		# CKTS	XFMR KVA	AMPS PER CIRCUIT (including XFMR)	BREAKER RATING PER CIRCUIT
				MOTOR 240V CKT	HEATER 120V CKT	MOTOR 240V CKT	HEATER 120V CKT				
IDC12-1036G IDC12-1042G IDC12-1048G IDC12-1060G	1 @ 100	48.5	2	3.5	6.4	15	15	1	1	7.7	15
IDC12-2060G IDC12-2072G IDC12-2078G IDC12-2084G IDC12-2096G IDC12-2108G IDC12-2120G	1 @ 150	37	2	7.0	6.9	15	15	1	1	11.2	15
IDC12-3096G IDC12-3108G IDC12-3120G IDC12-3132G IDC12-3144G	1 @ 200	33	2	10.5	8.0	15	15	1	1	14.7	20
IDC12-4144G	1 @ 250	32	2	14.0	8.0	20	15	1	1	18.2	25
IDC12-4156G IDC12-4168G IDC12-4180G IDC12-4192G	2 @ 150	36	3	14.0	6.9/6.9	20	15/15	1	2	22.3	30
IDC12-5180G IDC12-5192G	2 @ 175	35	3	17.5	8.0/8.0	25	15/15	1	2	25.8	35

Berner reserves the right to alter specifications without prior notice.



INDUSTRIAL DIRECT DRIVE 12

**Positive Indirect Gas Heated Air Curtain
Electrical Performance Sheet**

480/3/60 (voltage code Z) 480V MOTOR AMP DRAW = 1.4 each											
MODEL	HEATER MBH	Temp Rise °F	# CKTS	MULTIPLE CKT - MOTOR PANEL & HEATER				SINGLE CKT - MOTOR PANEL & XFMR FOR HEATER			
				AMPS PER CIRCUIT		BREAKER RATING PER CIRCUIT		# CKTS	XFMR KVA	AMPS PER CIRCUIT (including XFMR)	BREAKER RATING PER CIRCUIT
				MOTOR 480V CKT	HEATER 120V CKT	MOTOR 480V CKT	HEATER 120V CKT				
IDC12-1036G IDC12-1042G IDC12-1048G IDC12-1060G	1 @ 100	48.5	2	1.4	6.4	15	15	1	1	3.5	15
IDC12-2060G IDC12-2072G IDC12-2078G IDC12-2084G IDC12-2096G IDC12-2108G IDC12-2120G	1 @ 150	37	2	2.8	6.9	15	15	1	1	4.9	15
IDC12-3096G IDC12-3108G IDC12-3120G IDC12-3132G IDC12-3144G	1 @ 200	33	2	4.2	8.0	15	15	1	1	6.3	15
IDC12-4144G	1 @ 250	32	2	5.6	8.0	15	15	1	1	7.7	15
IDC12-4156G IDC12-4168G IDC12-4180G IDC12-4192G	2 @ 150	36	3	5.6	6.9/6.9	15	15/15	1	2	9.8	15
IDC12-5180G IDC12-5192G	2 @ 175	35	3	7.0	8.0/8.0	15	15/15	1	2	11.2	15

Berner reserves the right to alter specifications without prior notice.



INDUSTRIAL DIRECT DRIVE 12

Positive Indirect Gas Heated Air Curtain
Electrical Performance Sheet

		600/3/60 (voltage code Q)									
		600V MOTOR AMP DRAW = 1.0 each									
		MULTIPLE CKT - MOTOR PANEL & HEATER						SINGLE CKT - MOTOR PANEL & XFMR FOR HEATER			
MODEL	HEATER MBH	Temp Rise °F	# CKTS	AMPS PER CIRCUIT		BREAKER RATING PER CIRCUIT		# CKTS	XFMR KVA	AMPS PER CIRCUIT (including XFMR)	BREAKER RATING PER CIRCUIT
				MOTOR 600V CKT	HEATER 120V CKT	MOTOR 600V CKT	HEATER 120V CKT				
IDC12-1036G IDC12-1042G IDC12-1048G IDC12-1060G	1 @ 100	48.5	2	1.0	6.4	15	15	1	1	2.7	15
IDC12-2060G IDC12-2072G IDC12-2078G IDC12-2084G IDC12-2096G IDC12-2108G IDC12-2120G	1 @ 150	37	2	2.0	6.9	15	15	1	1	3.7	15
IDC12-3096G IDC12-3108G IDC12-3120G IDC12-3132G IDC12-3144G	1 @ 200	33	2	3.0	8.0	15	15	1	1	4.7	15
IDC12-4144G	1 @ 250	32	2	4.0	8.0	15	15	1	1	5.7	15
IDC12-4156G IDC12-4168G IDC12-4180G IDC12-4192G	2 @ 150	36	3	4.0	6.9/6.9	15	15/15	1	2	7.3	15
IDC12-5180G IDC12-5192G	2 @ 175	35	3	5.0	8.0/8.0	15	15/15	1	2	8.3	15

Berner reserves the right to alter specifications without prior notice.

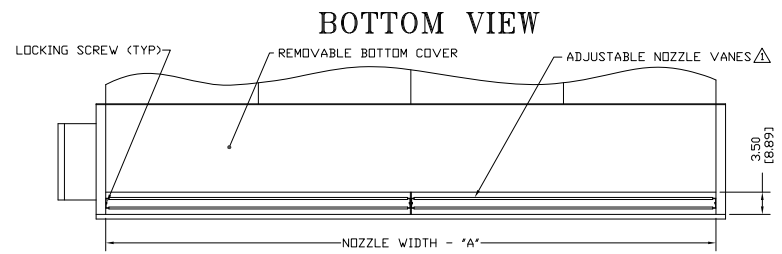
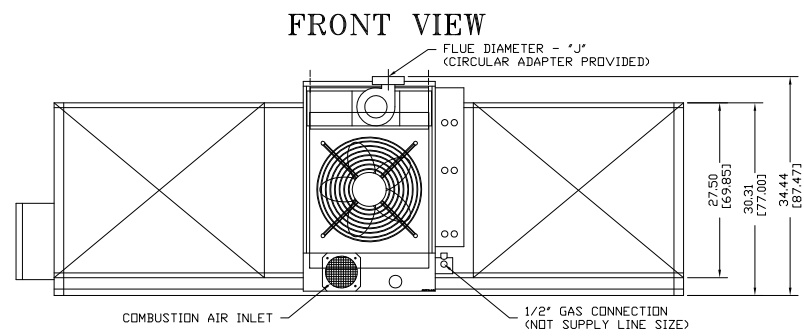
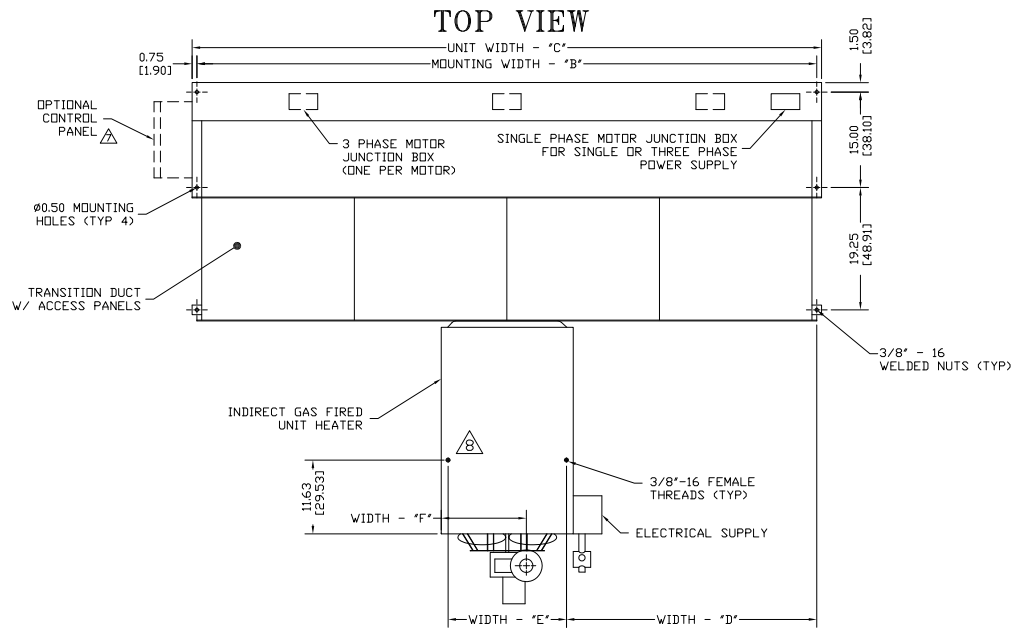


INDUSTRIAL DIRECT DRIVE 12

Positive Indirect Gas Heated Air Curtain
Electrical Performance Sheet

380/3/50 (voltage code O)											
380V MOTOR AMP DRAW = 3.5 each											
MODEL	HEATER MBH	Temp Rise °F	# CKTS	MULTIPLE CKT - MOTOR PANEL & HEATER				SINGLE CKT - MOTOR PANEL & XFMR FOR HEATER			
				AMPS PER CIRCUIT		BREAKER RATING PER CIRCUIT		# CKTS	XFMR KVA	AMPS PER CIRCUIT (including XFMR)	BREAKER RATING PER CIRCUIT
				MOTOR 380V CKT	HEATER 120V CKT	MOTOR 380V CKT	HEATER 120V CKT				
IDC12-1036G IDC12-1042G IDC12-1048G IDC12-1060G	1 @ 100	48.5	2	3.5	6.4	15	15	1	1	8.0	15
IDC12-2060G IDC12-2072G IDC12-2078G IDC12-2084G IDC12-2096G IDC12-2108G IDC12-2120G	1 @ 150	37	2	7.0	6.9	15	15	1	1	11.5	15
IDC12-3096G IDC12-3108G IDC12-3120G IDC12-3132G IDC12-3144G	1 @ 200	33	2	10.5	8.0	15	15	1	1	15.0	20
IDC12-4144G	1 @ 250	32	2	14.0	8.0	20	15	1	1	18.5	25
IDC12-4156G IDC12-4168G IDC12-4180G IDC12-4192G	2 @ 150	36	3	14.0	6.9/6.9	20	15/15	1	2	23.1	30
IDC12-5180G IDC12-5192G	2 @ 175	35	3	17.5	8.0/8.0	25	15/15	1	2	26.6	35

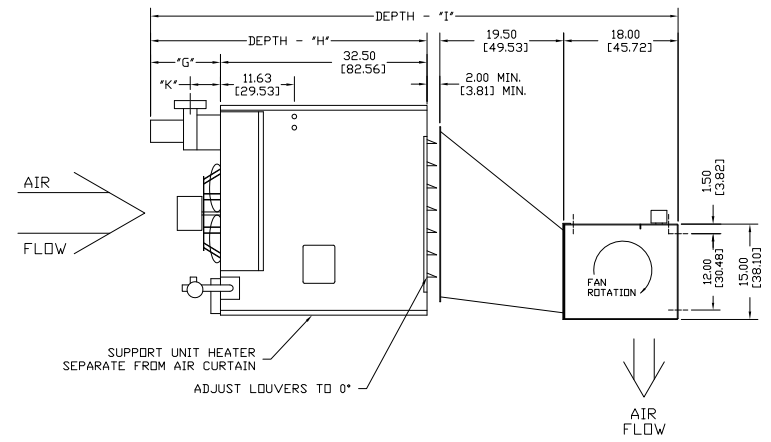
IDC12 INDIRECT GAS HEATED ONE HEATER SYSTEM



NOTES:

- 1 AIR CURTAIN MUST BE INSTALLED SO AIR STREAM IS NOT OBSTRUCTED WHEN DEFLECTED 20° TO EITHER SIDE OF C.
- 2 ELECTRICAL CONNECTIONS TO BE FLEXIBLE.
- 3 FIELD VERIFY DIMENSIONS.
- 4 ANCHORS TO SUPPORTING STRUCTURE BY OTHERS.
- 5 ADEQUACY OF SUPPORTING STRUCTURE IS TO BE VERIFIED BY A PROFESSIONAL STRUCTURAL ENGINEER.
- 6 LETTER "G" IN MODEL NUMBER DESIGNATES, POSITIVE INDIRECT GAS HEATER UNIT.
- 7 STANDARD CONTROL PANEL LEFT HAND MOUNT, OPTIONAL RIGHT HAND MOUNT, OR REMOTE. PLEASE SPECIFY.
- 8 XF SERIES FURNACES ONLY HAVE TWO MOUNTING POINTS.
- 9 SUPPLY PRESSURES HIGHER THAN 0.50 POUND REQUIRE INSTALLATION OF AN ADDITIONAL SERVICE REGULATOR EXTERNAL TO THE UNIT.
- 10 DIMENSIONS IN INCHES [CENTIMETERS].

END VIEW

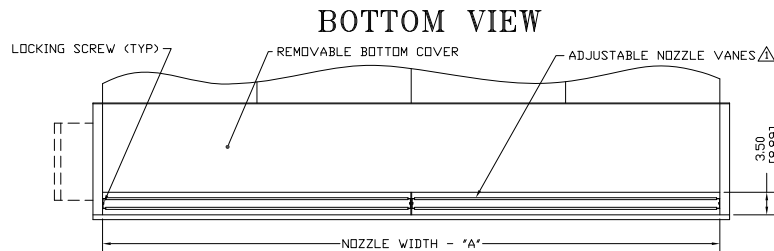
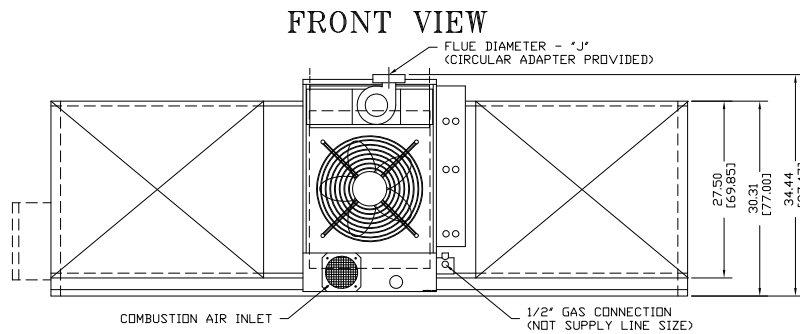
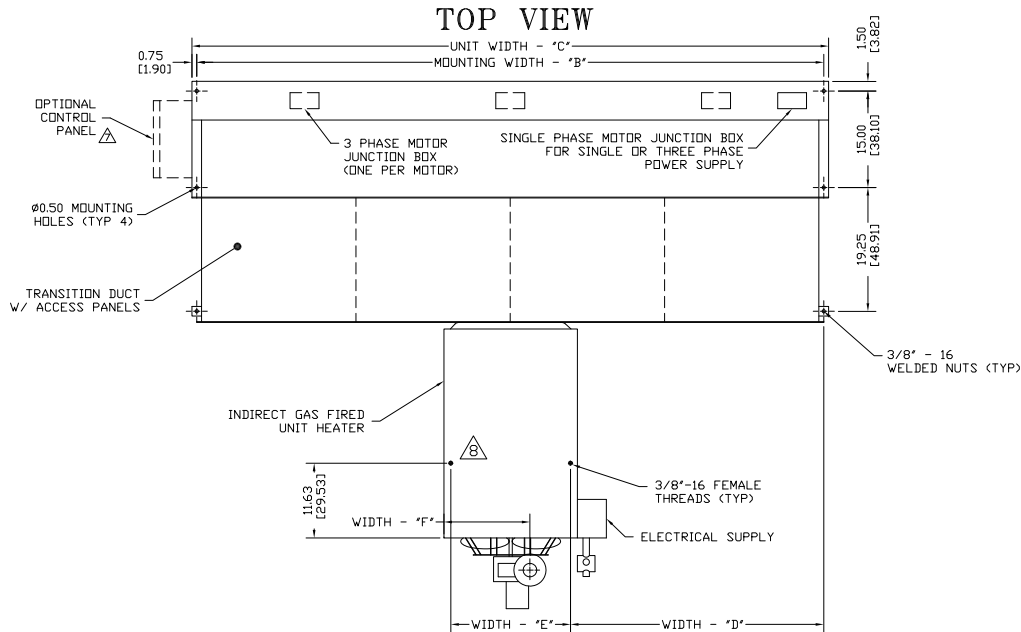


CAUTION:

HEATER IS EQUIPPED FOR A MAXIMUM GAS SUPPLY PRESSURE OF 1/2 POUND, 8 OUNCES, OR 14 INCHES WATER COLUMN.

MODEL	NOZZLE WIDTH "A"	MOUNTING WIDTH "B"	UNIT WIDTH "C"	TOTAL NO. HEATER(S) @ MBTU INPUT	WIDTH "D"	HEATER MOUNTING WIDTH "E"	WIDTH "F"	DEPTH "G"	DEPTH "H"	DEPTH "I"	FLUE "J"	DEPTH "K"	WIDTH "L"	PROJECT	LOCATION	ARCHITECT	ENGINEER
IDC12-1036G	36.0 [91.44]	37.50 [95.25]	39.0 [99.06]	1 @ 100	9.44 [23.98]	18.63 [47.32]	13.38 [33.98]	11.00 [27.94]	43.50 [110.49]	83.00 [210.82]	5.0 [12.70]	4.75 [12.06]	-				
IDC12-1042G	42.0 [106.68]	43.50 [110.49]	45.0 [114.30]	1 @ 100	12.44 [31.59]	18.63 [47.32]	13.38 [33.98]	11.00 [27.94]	43.50 [110.49]	83.00 [210.82]	5.0 [12.70]	4.75 [12.06]	-	DWG. NO.	IDC12-IGF1-XF	TITLE	BERNER
IDC12-1048G	48.0 [121.92]	49.50 [125.73]	51.0 [129.54]	1 @ 100	15.44 [39.22]	18.63 [47.32]	13.38 [33.98]	11.00 [27.94]	43.50 [110.49]	83.00 [210.82]	5.0 [12.70]	4.75 [12.06]	-	DATE	05DEC2019		MODEL IDC12 AIR CURTAIN
IDC12-1060G	66.0 [167.64]	67.50 [171.45]	69.0 [175.26]	1 @ 100	24.44 [62.08]	18.63 [47.32]	13.38 [33.98]	11.00 [27.94]	43.50 [110.49]	83.00 [210.82]	5.0 [12.70]	4.75 [12.06]	-	BY	A.Johnston		INDIRECT GAS FIRED - ONE HEATER SYSTEM
IDC12-2060G	66.0 [167.64]	67.50 [171.45]	69.0 [175.26]	1 @ 150	24.44 [62.08]	18.63 [47.32]	13.38 [33.98]	11.00 [27.94]	43.50 [110.49]	83.00 [210.82]	5.0 [12.70]	4.75 [12.06]	-	REPLACES	-		
IDC12-2072G	72.0 [182.88]	73.50 [186.69]	75.0 [190.50]	1 @ 150	27.44 [69.69]	18.63 [47.32]	13.38 [33.98]	11.00 [27.94]	43.50 [110.49]	83.00 [210.82]	5.0 [12.70]	4.75 [12.06]	-	BY	-		BERNER INTERNATIONAL CORP. NEW CASTLE, PA.

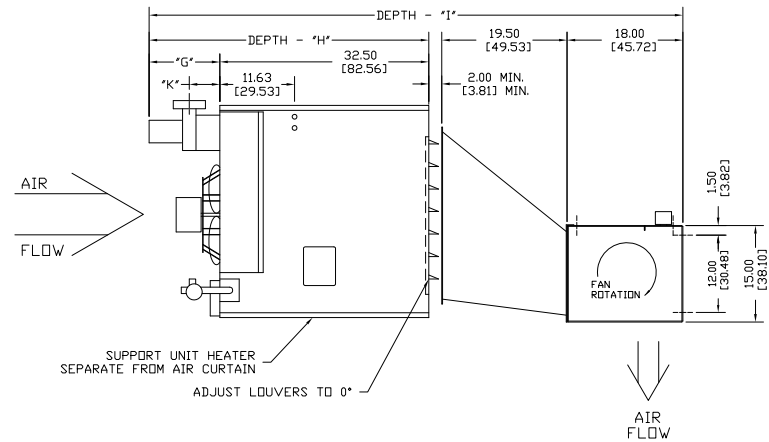
IDC12 INDIRECT GAS HEATED ONE HEATER SYSTEM



NOTES:

- ① AIR CURTAIN MUST BE INSTALLED SO AIR STREAM IS NOT OBSTRUCTED WHEN DEFLECTED 20° TO EITHER SIDE OF C.
- ② ELECTRICAL CONNECTIONS TO BE FLEXIBLE.
- ③ FIELD VERIFY DIMENSIONS.
- ④ ANCHORS TO SUPPORTING STRUCTURE BY OTHERS.
- ⑤ ADEQUACY OF SUPPORTING STRUCTURE IS TO BE VERIFIED BY A PROFESSIONAL STRUCTURAL ENGINEER.
- ⑥ LETTER 'G' IN MODEL NUMBER DESIGNATES POSITIVE INDIRECT GAS HEATER UNIT.
- ⑦ STANDARD CONTROL PANEL LEFT HAND MOUNT, OPTIONAL RIGHT HAND MOUNT, OR REMOTE. PLEASE SPECIFY.
- ⑧ XF SERIES FURNACES ONLY HAVE TWO MOUNTING POINTS.
- ⑨ SUPPLY PRESSURES HIGHER THAN 0.50 POUND REQUIRE INSTALLATION OF AN ADDITIONAL SERVICE REGULATOR EXTERNAL TO THE UNIT.
- ⑩ DIMENSIONS IN INCHES [CENTIMETERS].

END VIEW

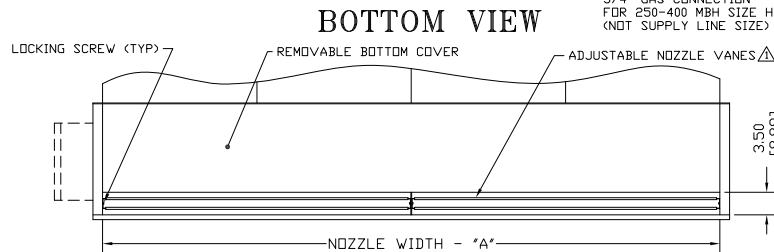
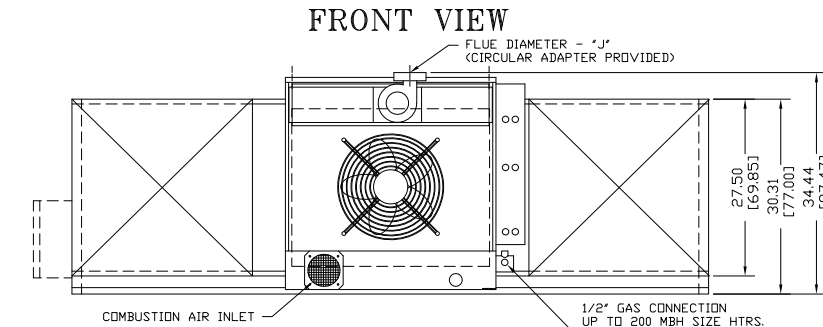
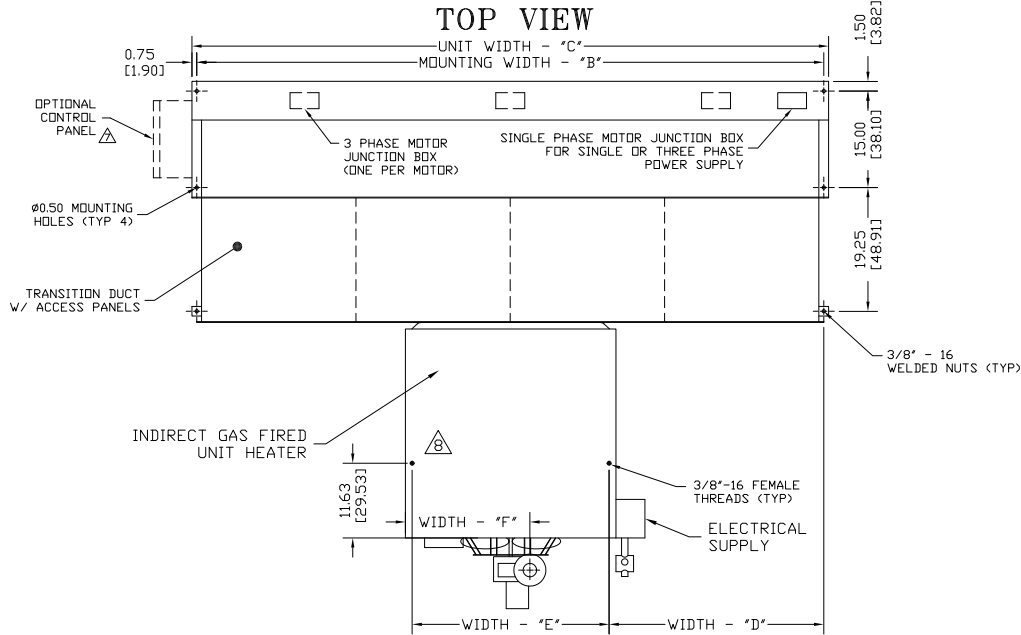


CAUTION:

HEATER IS EQUIPPED FOR A MAXIMUM GAS SUPPLY PRESSURE OF 1/2 POUND, 8 OUNCES, OR 14 INCHES WATER COLUMN.

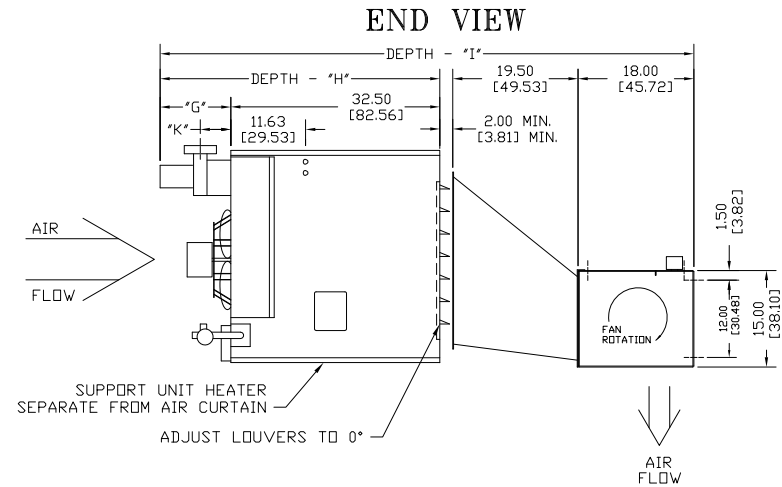
MODEL	NOZZLE WIDTH 'A'	MOUNTING WIDTH 'B'	UNIT WIDTH 'C'	TOTAL NO. HEATERS(S) @ MBTU INPUT	WIDTH 'D'	HEATER MOUNTING WIDTH 'E'	WIDTH 'F'	DEPTH 'G'	DEPTH 'H'	DEPTH 'I'	FLUE 'J'	DEPTH 'K'	WIDTH 'L'	PROJECT	LOCATION	ARCHITECT	ENGINEER
IDC12-2078G	78.0 [198.12]	79.50 [201.93]	81.0 [205.74]	1 @ 150	30.43 [77.29]	18.63 [47.32]	13.38 [33.98]	11.00 [27.94]	43.50 [110.50]	83.00 [210.82]	5.0 [12.70]	4.75 [12.06]	-				
IDC12-2084G	84.0 [213.36]	85.50 [217.17]	87.0 [220.98]	1 @ 150	33.43 [84.91]	18.63 [47.32]	13.38 [33.98]	11.00 [27.94]	43.50 [110.50]	83.00 [210.82]	5.0 [12.70]	4.75 [12.06]	-	DWG. NO.	IDC12-1GF2-XF	TITLE:	BERNER
IDC12-2096G	99.0 [251.46]	100.50 [255.27]	102.0 [259.08]	1 @ 150	40.93 [103.96]	18.63 [47.32]	13.38 [33.98]	11.00 [27.94]	43.50 [110.50]	83.00 [210.82]	5.0 [12.70]	4.75 [12.06]	-	DATE	05DEC2019		MODEL IDC12 AIR CURTAIN
IDC12-3096G	99.0 [251.46]	100.50 [255.27]	102.0 [259.08]	1 @ 200	34.93 [88.72]	30.63 [77.80]	19.38 [49.23]	11.00 [27.94]	43.50 [110.50]	83.00 [210.82]	5.0 [12.70]	4.75 [12.06]	-	BY	A. Johnston		INDIRECT GAS FIRED - ONE HEATER SYSTEM
IDC12-2108G	108.0 [274.32]	109.50 [278.13]	111.0 [281.94]	1 @ 150	45.43 [115.40]	18.63 [47.32]	13.38 [33.98]	11.00 [27.94]	43.50 [110.50]	83.00 [210.82]	5.0 [12.70]	4.75 [12.06]	-	REPLACES	-		
IDC12-3108G	108.0 [274.32]	109.50 [278.13]	111.0 [281.94]	1 @ 200	39.43 [100.15]	30.63 [77.80]	19.38 [49.23]	11.00 [27.94]	43.50 [110.50]	83.00 [210.82]	5.0 [12.70]	4.75 [12.06]	-	BY	-		BERNER INTERNATIONAL CORP. NEW CASTLE, PA.

IDC12 INDIRECT GAS HEATED ONE HEATER SYSTEM



NOTES:

- ⚠️ AIR CURTAIN MUST BE INSTALLED SO AIR STREAM IS NOT OBSTRUCTED WHEN DEFLECTED 20° TO EITHER SIDE OF C.
- ⚠️ ELECTRICAL CONNECTIONS TO BE FLEXIBLE.
- ⚠️ FIELD VERIFY DIMENSIONS.
- ⚠️ ANCHORS TO SUPPORTING STRUCTURE BY OTHERS.
- ⚠️ ADEQUACY OF SUPPORTING STRUCTURE IS TO BE VERIFIED BY A PROFESSIONAL STRUCTURAL ENGINEER.
- ⚠️ LETTER "G" IN MODEL NUMBER DESIGNATES POSITIVE INDIRECT GAS HEATER UNIT.
- ⚠️ STANDARD CONTROL PANEL LEFT HAND MOUNT, OPTIONAL RIGHT HAND MOUNT, OR REMOTE. PLEASE SPECIFY.
- ⚠️ XF SERIES FURNACES ONLY HAVE TWO MOUNTING POINTS.
- ⚠️ SUPPLY PRESSURES HIGHER THAN 0.50 POUND REQUIRE INSTALLATION OF AN ADDITIONAL SERVICE REGULATOR EXTERNAL TO THE UNIT.
- ⚠️ DIMENSIONS IN INCHES [CENTIMETERS].



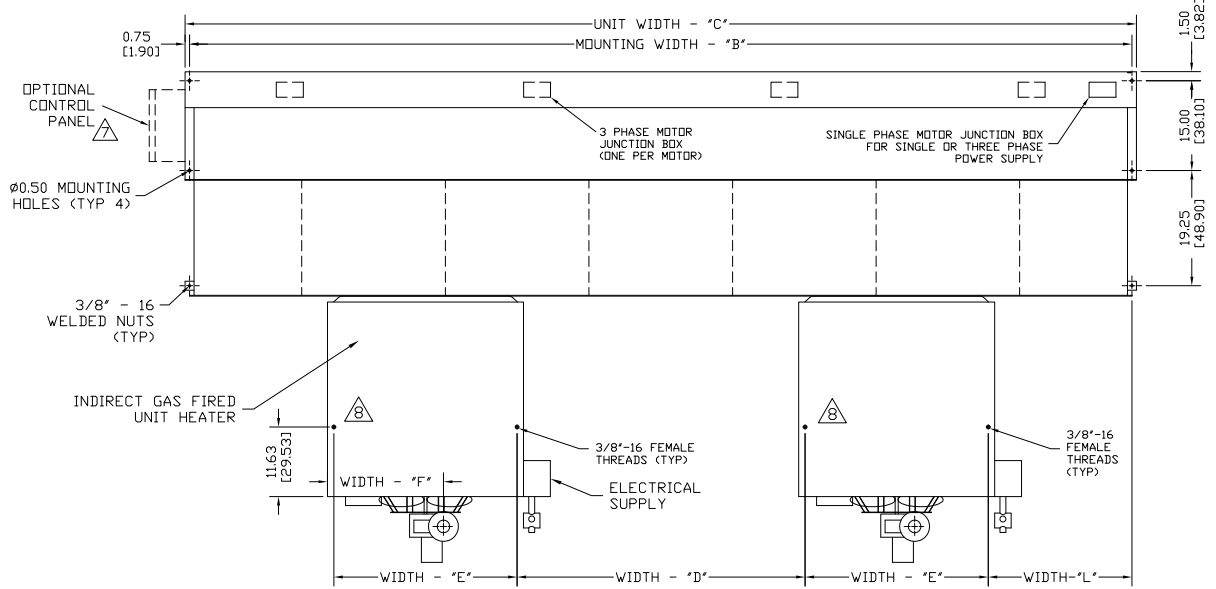
CAUTION:

HEATER IS EQUIPPED FOR A MAXIMUM GAS SUPPLY PRESSURE OF 1/2 POUND, 8 OUNCES, OR 14 INCHES WATER COLUMN.

MODEL	NOZZLE WIDTH "A"	MOUNTING WIDTH "B"	UNIT WIDTH "C"	TOTAL NO. HEATER(S) @ MBTU INPUT	WIDTH "D"	HEATER MOUNTING WIDTH "E"	WIDTH "F"	DEPTH "G"	DEPTH "H"	DEPTH "I"	FLUE "J"	DEPTH "K"	WIDTH "L"	PROJECT	LOCATION	ARCHITECT	ENGINEER	REV.	
IDC12-2120G	117.0 [297.18]	118.50 [300.99]	120.0 [304.80]	1 @ 150	49.94 [126.85]	18.63 [47.32]	13.38 [33.98]	11.00 [27.94]	43.50 [110.50]	83.00 [210.82]	5.0 [12.70]	4.75 [12.06]	-						
IDC12-3120G	117.0 [297.18]	118.50 [300.99]	120.0 [304.80]	1 @ 200	43.94 [111.61]	30.63 [77.80]	19.38 [49.23]	11.00 [27.94]	43.50 [110.50]	83.00 [210.82]	5.0 [12.70]	4.75 [12.06]	-	DWG. NO.	IDC12-IGF3-XF	DATE	15SEP2020	TITLE:	BERNER
IDC12-3132G	132.0 [335.28]	133.50 [339.09]	135.0 [342.90]	1 @ 200	51.43 [130.63]	30.63 [77.80]	19.38 [49.23]	11.00 [27.94]	43.50 [110.50]	83.00 [210.82]	5.0 [12.70]	4.75 [12.06]	-	BY	S. Beil	REPLACES	11DEC2019	MODEL IDC12 AIR CURTAIN INDIRECT GAS FIRED - ONE HEATER SYSTEM	BERNER INTERNATIONAL CORP. NEW CASTLE, PA.
IDC12-3144G	144.0 [365.76]	145.50 [369.57]	147.0 [373.38]	1 @ 200	57.43 [145.87]	30.63 [77.80]	19.38 [49.23]	11.00 [27.94]	43.50 [110.50]	83.00 [210.82]	5.0 [12.70]	4.75 [12.06]	-	BY	A. Johnston				
IDC12-4144G	144.0 [365.76]	145.50 [369.57]	147.0 [373.38]	1 @ 250	57.43 [145.87]	30.63 [77.80]	19.38 [49.23]	11.00 [27.94]	43.50 [110.50]	83.00 [210.82]	5.0 [12.70]	4.75 [12.06]	-						

IDC12 INDIRECT GAS HEATED TWO HEATER SYSTEM

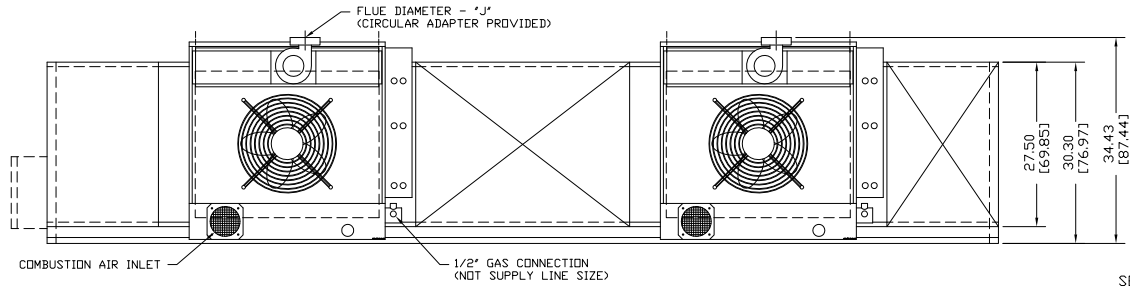
TOP VIEW



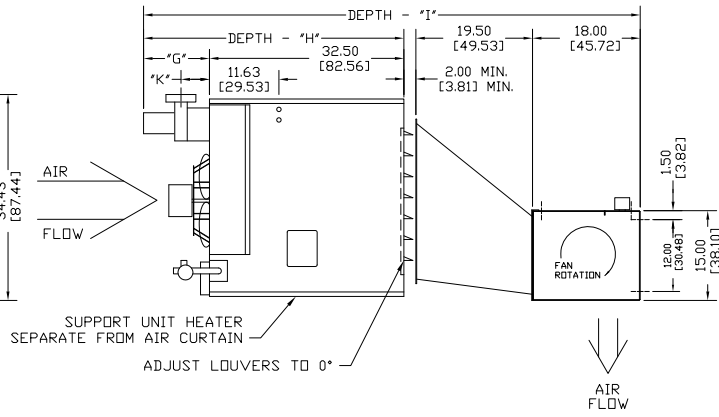
NOTES:

- 1 AIR CURTAIN MUST BE INSTALLED SO AIR STREAM IS NOT OBSTRUCTED WHEN DEFLECTED 20° TO EITHER SIDE OF C.
- 2 ELECTRICAL CONNECTIONS TO BE FLEXIBLE.
- 3 FIELD VERIFY DIMENSIONS.
- 4 ANCHORS TO SUPPORTING STRUCTURE BY OTHERS.
- 5 ADEQUACY OF SUPPORTING STRUCTURE IS TO BE VERIFIED BY A PROFESSIONAL STRUCTURAL ENGINEER.
- 6 LETTER 'G' IN MODEL NUMBER DESIGNATES POSITIVE INDIRECT GAS HEATER UNIT.
- 7 STANDARD CONTROL PANEL LEFT HAND MOUNT, OPTIONAL RIGHT HAND MOUNT, OR REMOTE. PLEASE SPECIFY.
- 8 XF SERIES FURNACES ONLY HAVE TWO MOUNTING POINTS.
- 9 SUPPLY PRESSURES HIGHER THAN 0.50 POUND REQUIRE INSTALLATION OF AN ADDITIONAL SERVICE REGULATOR EXTERNAL TO THE UNIT.
- 10 DIMENSIONS IN INCHES [CENTIMETERS].

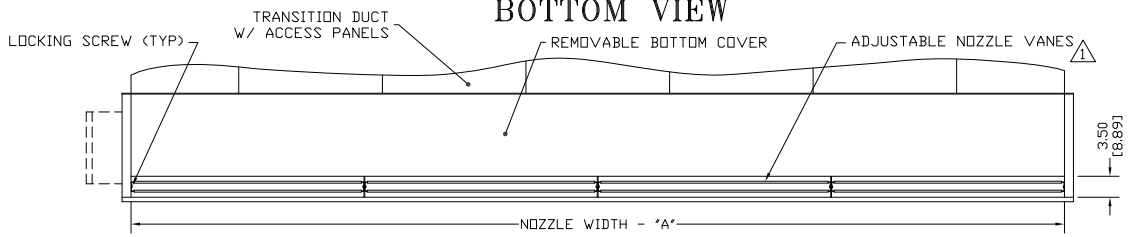
FRONT VIEW



END VIEW



BOTTOM VIEW



CAUTION:

HEATER IS EQUIPPED FOR A MAXIMUM GAS SUPPLY PRESSURE OF 1/2 POUND, 8 OUNCES, OR 14 INCHES WATER COLUMN.

MODEL	NOZZLE WIDTH 'A'	MOUNTING WIDTH 'B'	UNIT WIDTH 'C'	TOTAL NO. HEATER(S) @ MBTU INPUT	WIDTH 'D'	HEATER MOUNTING WIDTH 'E'	WIDTH 'F'	DEPTH 'G'	DEPTH 'H'	DEPTH 'I'	FLUE 'J'	DEPTH 'K'	WIDTH 'L'	PROJECT
														LOCATION
														ARCHITECT
														ENGINEER
IDC12-4156G	156.0 [396.24]	157.50 [400.05]	159.0 [403.86]	2 @ 150	53.50 [135.89]	18.63 [47.32]	13.38 [33.98]	11.00 [27.94]	43.50 [110.50]	83.00 [210.82]	5.0 [12.70]	4.75 [12.06]	26.75 [67.95]	DWG. NO. IDC12-IGF4-XF
IDC12-4168G	168.0 [426.72]	169.50 [430.53]	171.0 [434.34]	2 @ 150	59.50 [151.13]	18.63 [47.32]	13.38 [33.98]	11.00 [27.94]	43.50 [110.50]	83.00 [210.82]	5.0 [12.70]	4.75 [12.06]	29.75 [75.56]	DATE 11DEC2019
IDC12-4180G	180.0 [457.20]	181.50 [461.01]	183.0 [464.82]	2 @ 150	65.50 [166.37]	18.63 [47.32]	13.38 [33.98]	11.00 [27.94]	43.50 [110.50]	83.00 [210.82]	5.0 [12.70]	4.75 [12.06]	32.75 [83.19]	BY A.Johnston
IDC12-5180G	180.0 [457.20]	181.50 [461.01]	183.0 [464.82]	2 @ 175	53.50 [135.89]	30.63 [77.80]	19.38 [49.23]	11.00 [27.94]	43.50 [110.50]	83.00 [210.82]	5.0 [12.70]	4.75 [12.06]	26.75 [67.95]	REPLACES -
IDC12-4192G	192.0 [487.68]	193.50 [491.49]	195.0 [495.30]	2 @ 150	71.50 [181.61]	18.63 [47.32]	13.38 [33.98]	11.00 [27.94]	43.50 [110.50]	83.00 [210.82]	5.0 [12.70]	4.75 [12.06]	35.75 [90.81]	BY -
IDC12-5192G	192.0 [487.68]	193.50 [491.49]	195.0 [495.30]	2 @ 175	59.50 [151.13]	30.63 [77.80]	19.38 [49.23]	11.00 [27.94]	43.50 [110.50]	83.00 [210.82]	5.0 [12.70]	4.75 [12.06]	29.75 [75.56]	TITLE: BERNER MODEL IDC12 AIR CURTAIN INDIRECT GAS FIRED - TWO HEATER SYSTEM BERNER INTERNATIONAL CORP. NEW CASTLE, PA.