



HAZARDOUS LOCATION SERIES 14

Ambient (Unheated) Air Curtain

Data Sheet

For Door Heights To 14' (environmental separation) and 12' (insect control)

STANDARD CONSTRUCTION

- Constructed for Class I, Division 1 & 2, Groups C & D
- Constructed for Class II, Division 1 & 2, Groups F & G
- 1 hp explosion proof single speed motor(s) temperature code T3C
- Interior and exterior gray zinc epoxy powder coated aluminized steel cabinet with aluminum screen and access panels
- External mount explosion proof junction box (One per motor)
- Aluminum impellers in a matching housing
- Wall & Top Mounting
- High efficiency Pro-V Nozzle

**5 Year
Limited
Warranty**



MODEL	Nozzle Width (in)	Max Vel. at Nozzle (fpm)	Avg. Outlet Vel. (fpm)	Air Volume (cfm)	Outlet Vel. Uniformity	Power Rating (kW)	Motor(s) @ hp	Net Wt. (lbs)
HLC14-1036A	36.00	7,567	2,738	2,396	87%	1.12	1 @ 1	111
HLC14-1042A	42.00	7,040	2,435	2,486	81%	1.12	1 @ 1	117
HLC14-1048A	48.00	7,175	2,173	2,535	84%	1.25	1 @ 1	122
HLC14-1060A	66.00	6,886	1,620	2,598	80%	1.28	1 @ 1	133
HLC14-2060A	66.00	7,520	3,136	4,574	97%	2.07	2 @ 1	209
HLC14-2072A	72.00	7,567	2,738	4,792	87%	2.24	2 @ 1	218
HLC14-2078A	78.00	7,040	2,575	4,882	81%	2.24	2 @ 1	224
HLC14-2084A	84.00	7,040	2,435	4,972	81%	2.24	2 @ 1	229
HLC14-2096A	99.00	7,175	2,173	5,070	84%	2.50	2 @ 1	239
HLC14-3096A	99.00	7,567	2,987	6,970	87%	3.19	3 @ 1	310
HLC14-2108A	108.00	6,886	1,956	5,133	80%	2.53	2 @ 1	282
HLC14-3108A	108.00	7,567	2,738	7,188	87%	3.36	3 @ 1	353
HLC14-2120A	117.00	6,886	1,827	5,197	80%	2.56	2 @ 1	289
HLC14-3120A	117.00	7,040	2,526	7,368	81%	3.36	3 @ 1	360
HLC14-3132A	132.00	7,040	2,340	7,507	81%	3.49	3 @ 1	381
HLC14-3144A	144.00	7,175	2,173	7,605	84%	3.75	3 @ 1	395
HLC14-4144A	144.00	7,567	2,738	9,584	87%	4.48	4 @ 1	465
HLC14-4156A	156.00	7,040	2,575	9,764	81%	4.48	4 @ 1	481
HLC14-4168A	168.00	7,040	2,435	9,944	81%	4.48	4 @ 1	493
HLC14-4180A	180.00	7,040	2,295	10,042	81%	4.74	4 @ 1	506
HLC14-5180A	180.00	7,567	2,738	11,980	87%	5.60	5 @ 1	577
HLC14-4192A	192.00	7,175	2,173	10,140	84%	5.00	4 @ 1	518
HLC14-5192A	192.00	7,175	2,580	12,040	84%	5.69	5 @ 1	589

NOTES:

1. Consult factory for 50 Hz operation.
 2. Performance data based on AMCA licensed data from unheated IDC14 units.
 3. Vertically mounted Hazardous Location Series air curtains not available.
- Berner does not recommend HLC14-1060A, HLC14-2108A, and HLC14-2120A, exist only as an equivalent to competitors' models.

See sheet EP-910 for amp draws/total load requirements.

MODEL NUMBER CONFIGURATION

HLC14-1 036 A A

Series	# of Motors	Opening Width	Heat	Voltage
HLC14	1, 2, 3, 4, 5	036" - 192"	A=Ambient	A=120/1/60 B=208/1/60 J=240/1/60 D=208/3/60 E=240/3/60 H=480/3/60 I=600/3/60

VELOCITY PROFILE: Model HLC14-1036A

Distance from Nozzle (ft)	3	6.5	10
Core Velocity (fpm)	3822	2467	2133

Sound level measured 10' (3m) from the unit in free field:
1, 2, 3, 4 & 5 motor(s): 66 dBA, 69 dBA, 71 dBA, 72 dBA & 73 dBA

Berner reserves the right to alter specifications without prior notice.



HAZARDOUS LOCATION SERIES 14

Ambient (Unheated) Air Curtain
Electrical Performance Sheet

MODEL	120/1/60 (voltage code A) MOTOR AMP DRAW = 12.6 each			208/1/60 (voltage code B) MOTOR AMP DRAW = 6.5 each			240/1/60 (voltage code J) MOTOR AMP DRAW = 6.5 each		
	# CKTS	AMPS PER CIRCUIT	BREAKER RATING PER CIRCUIT	# CKTS	AMPS PER CIRCUIT	BREAKER RATING PER CIRCUIT	# CKTS	AMPS PER CIRCUIT	BREAKER RATING PER CIRCUIT
HLC14-1036A HLC14-1042A HLC14-1048A HLC14-1060A	1	12.6	30	1	6.5	15	1	6.5	15
HLC14-2060A HLC14-2072A HLC14-2078A HLC14-2084A HLC14-2096A HLC14-2108A HLC14-2120A	1	25.2	30	1	13.0	20	1	13.0	20
HLC14-3096A HLC14-3108A HLC14-3120A HLC14-3132A HLC14-3144A	1	37.8	50	1	19.5	30	1	19.5	30
HLC14-4144A HLC14-4156A HLC14-4168A HLC14-4180A HLC14-4192A	1	50.4	60	1	26.0	35	1	26.0	35
HLC14-5180A HLC14-5192A	1	63.0	100	1	32.5	40	1	32.5	40

Berner reserves the right to alter specifications without prior notice.



HAZARDOUS LOCATION SERIES 14

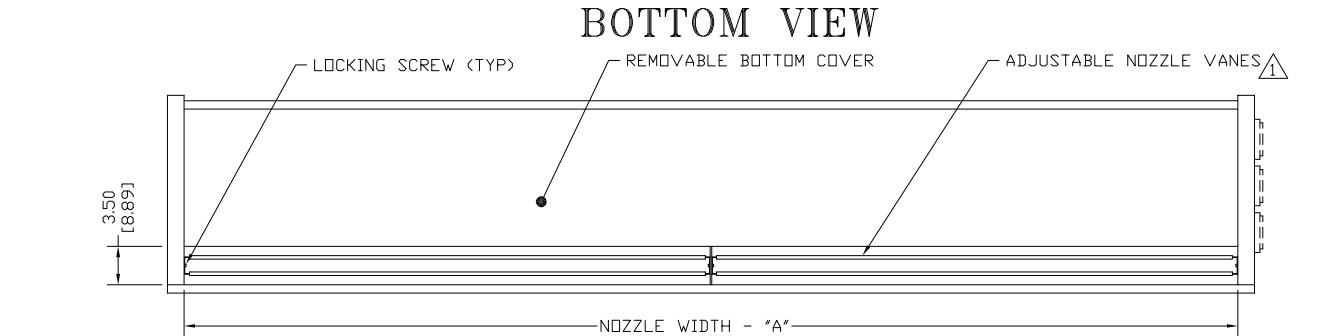
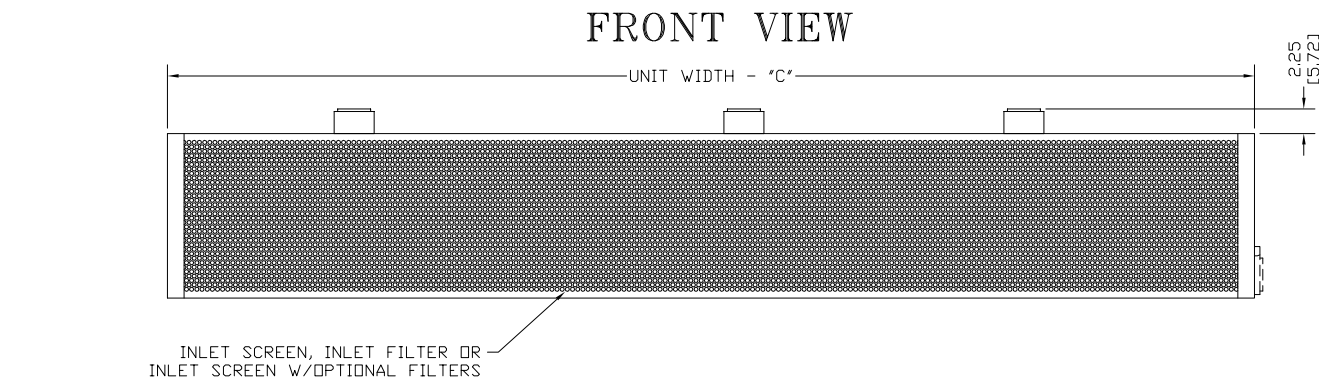
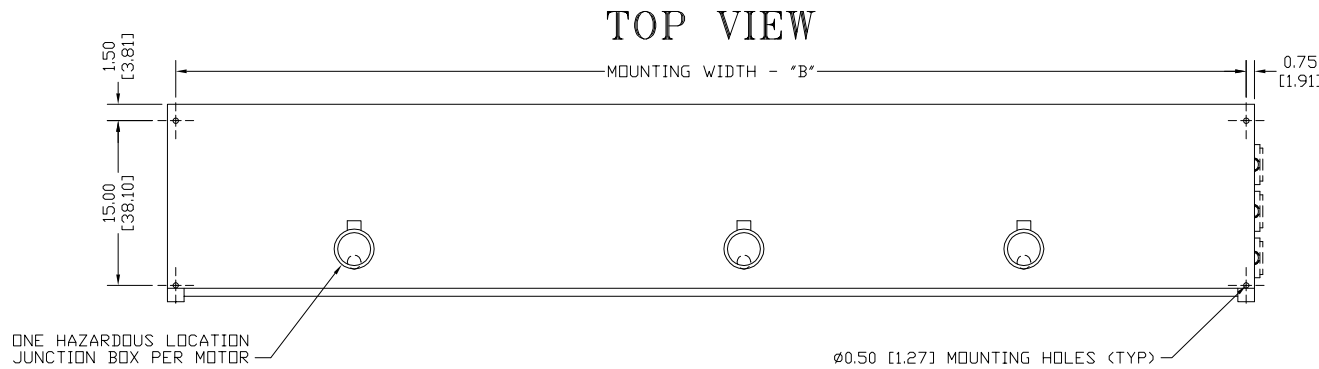
Ambient (Unheated) Air Curtain
Electrical Performance Sheet

MODEL	# CKTS	208/3/60 (voltage code D) MOTOR AMP DRAW = 4.8 each		240/3/60 (voltage code E) MOTOR AMP DRAW = 4.6 each		480/3/60 (voltage code H) MOTOR AMP DRAW = 2.3 each		600/3/60 (voltage code I) MOTOR AMP DRAW = 1.4 each				
		AMPS PER CIRCUIT	BREAKER RATING PER CIRCUIT	# CKTS	AMPS PER CIRCUIT	BREAKER RATING PER CIRCUIT	# CKTS	AMPS PER CIRCUIT	BREAKER RATING PER CIRCUIT	# CKTS	AMPS PER CIRCUIT	BREAKER RATING PER CIRCUIT
HLC14-1036A HLC14-1042A HLC14-1048A HLC14-1060A	1	4.8	15	1	4.6	15	1	2.3	15	1	1.4	15
HLC14-2060A HLC14-2072A HLC14-2078A HLC14-2084A HLC14-2096A HLC14-2108A HLC14-2120A	1	9.6	15	1	9.2	15	1	4.6	15	1	2.8	15
HLC14-3096A HLC14-3108A HLC14-3120A HLC14-3132A HLC14-3144A	1	14.4	20	1	13.8	20	1	8.9	15	1	4.2	15
HLC14-4144A HLC14-4156A HLC14-4168A HLC14-4180A HLC14-4192A	1	19.2	25	1	18.4	25	1	11.2	20	1	5.6	15
HLC14-5180A HLC14-5192A	1	24.0	30	1	23.0	30	1	13.5	20	1	7.0	15

HLC 14

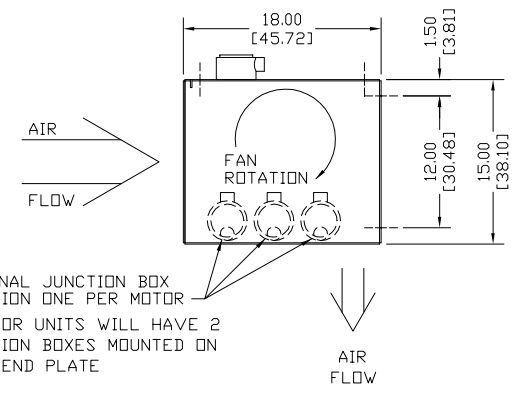
AMBIENT SYSTEM

HAZARDOUS LOCATION



MODEL	NOZZLE WIDTH "A"	MOUNTING WIDTH "B"	UNIT WIDTH "C"
HLC14-1036A	36.00 [91.44]	37.50 [95.25]	39.00 [99.06]
HLC14-1042A	42.00 [106.68]	43.50 [110.49]	45.00 [114.30]
HLC14-1048A	48.00 [121.92]	49.50 [125.73]	51.00 [129.54]
HLC14-1060A/2060A	66.00 [167.64]	67.50 [171.45]	69.00 [175.26]
HLC14-2072A	72.00 [182.88]	73.50 [186.69]	75.00 [190.50]
HLC14-2078A	78.00 [192.12]	79.50 [201.93]	81.00 [205.74]
HLC14-2084A	84.00 [213.36]	85.50 [217.17]	87.00 [220.98]
HLC14-2096A/3096A	99.00 [251.46]	100.50 [255.27]	102.00 [259.08]
HLC14-2108A/3108A	108.00 [274.32]	109.50 [278.13]	111.00 [281.94]
HLC14-2120A/3120A	117.00 [297.18]	118.50 [300.99]	120.00 [304.80]
HLC14-3132A	132.00 [335.28]	133.50 [339.09]	135.00 [342.90]
HLC14-3144A/4144A	144.00 [365.76]	145.50 [369.57]	147.00 [373.38]

END VIEW



NOTES:

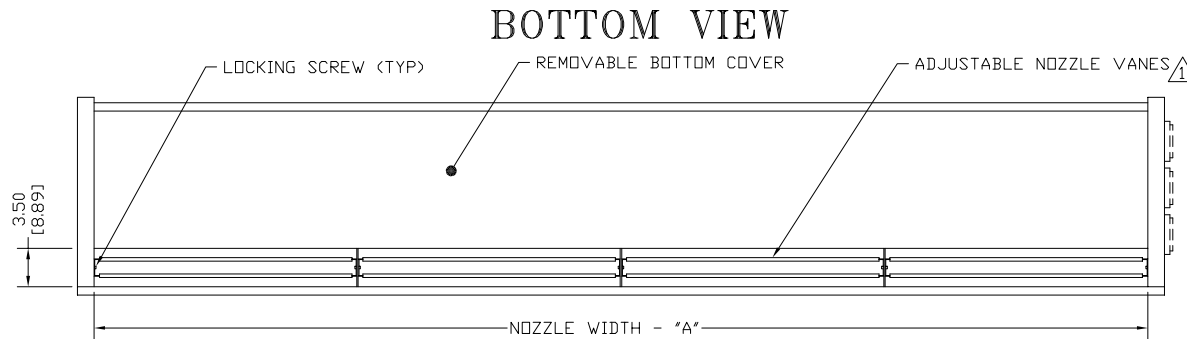
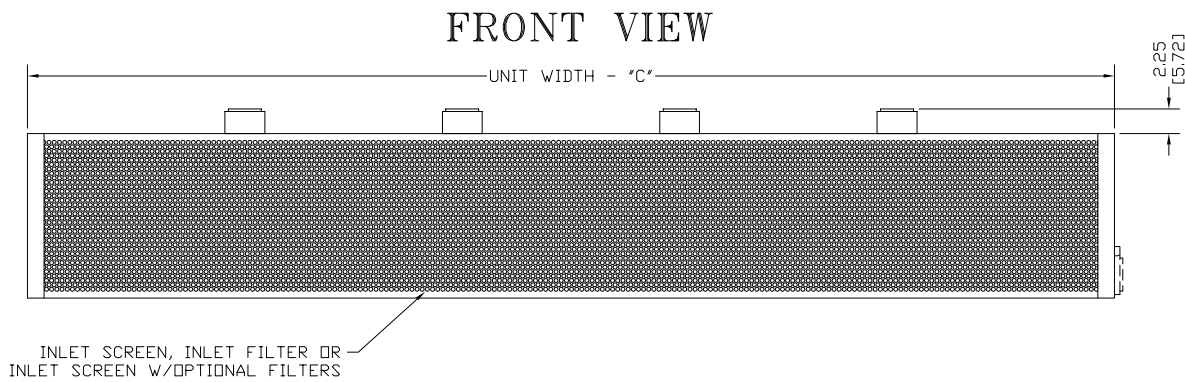
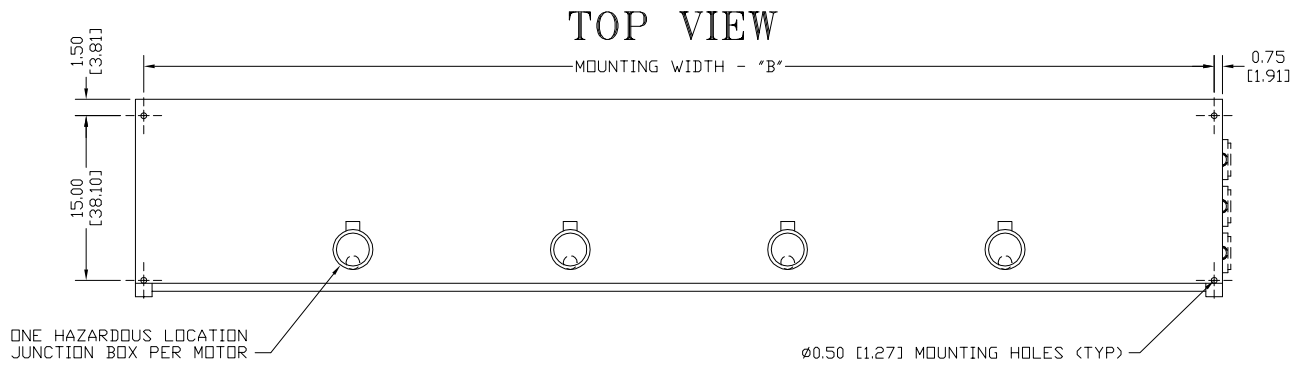
- 1. AIR CURTAIN MUST BE INSTALLED SO AIR STREAM IS NOT OBSTRUCTED WHEN DEFLECTED 20° TO EITHER SIDE OF C.
- 2. ELECTRICAL CONNECTIONS TO BE FLEXIBLE.
- 3. FIELD VERIFY DIMENSIONS.
- 4. ANCHORS TO SUPPORTING STRUCTURE BY OTHERS.
- 5. ADEQUACY OF SUPPORTING STRUCTURE IS TO BE VERIFIED BY A PROFESSIONAL STRUCTURAL ENGINEER.
- 6. LETTER "A" IN MODEL NUMBER DESIGNATES, AMBIENT UNIT.
- 7. REMOTE OPTIONAL CONTROL PANEL AVAILABLE; NEMA 4/12 FOR NON HAZARDOUS LOCATION MOUNTING; NEMA 7/9 FOR HAZARDOUS LOCATION MOUNTING. PLEASE SPECIFY.
- 8. DIMENSIONS IN INCHES [CENTIMETERS].

PROJECT		
LOCATION		
ARCHITECT		
ENGINEER		
DWG. NO.	HLC14-AMBI	TITLE: BERNER
DATE	16 JUNE 14	MODEL HLC14 AIR CURTAIN
BY	S. Beil	HAZARDOUS LOCATION AMBIENT SYSTEM
REPLACES	-	
BY	-	BERNER INTERNATIONAL CORP. NEW CASTLE, PA.

HLC 14

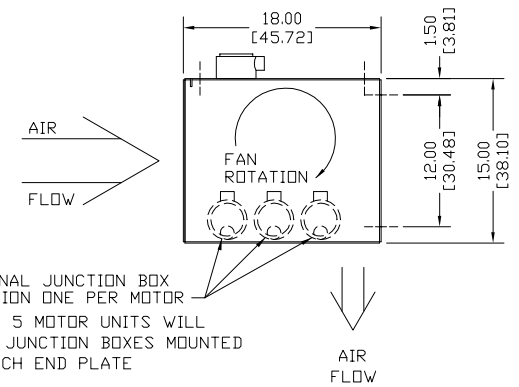
AMBIENT SYSTEM

HAZARDOUS LOCATION



MODEL	NOZZLE WIDTH "A"	MOUNTING WIDTH "B"	UNIT WIDTH "C"
HLC14-4156A	156.00 [396.24]	157.50 [400.05]	159.00 [403.86]
HLC14-4168A	168.00 [426.72]	169.50 [430.53]	171.00 [434.34]
HLC14-4180A/5180A	180.00 [457.20]	181.50 [461.01]	183.00 [464.82]
HLC14-4192A/5192A	192.00 [487.68]	193.50 [491.49]	195.00 [495.30]

END VIEW



NOTES:

- 1 AIR CURTAIN MUST BE INSTALLED SO AIR STREAM IS NOT OBSTRUCTED WHEN DEFLECTED 20° TO EITHER SIDE OF C.
- 2 ELECTRICAL CONNECTIONS TO BE FLEXIBLE.
- 3 FIELD VERIFY DIMENSIONS.
- 4 ANCHORS TO SUPPORTING STRUCTURE BY OTHERS.
- 5 ADEQUACY OF SUPPORTING STRUCTURE IS TO BE VERIFIED BY A PROFESSIONAL STRUCTURAL ENGINEER.
- 6 LETTER "A" IN MODEL NUMBER DESIGNATES, AMBIENT UNIT.
- 7 REMOTE OPTIONAL CONTROL PANEL AVAILABLE; NEMA 4/12 FOR NON HAZARDOUS LOCATION MOUNTING; NEMA 7/9 FOR HAZARDOUS LOCATION MOUNTING. PLEASE SPECIFY.
- 8 DIMENSIONS IN INCHES [CENTIMETERS].

PROJECT		
LOCATION		
ARCHITECT		
ENGINEER		
DWG. NO.	HLC14-AMB2	TITLE: BERNER
DATE	16 JUNE 14	MODEL HLC14 AIR CURTAIN
BY	S. Beil	HAZARDOUS LOCATION AMBIENT SYSTEM
REPLACES	-	
BY	-	BERNER INTERNATIONAL CORP. NEW CASTLE, PA.